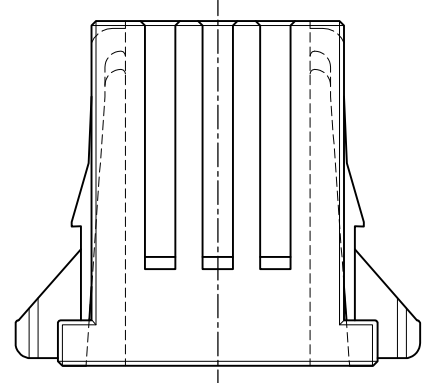
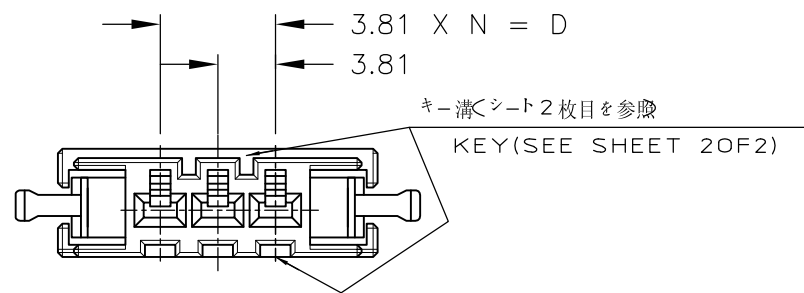
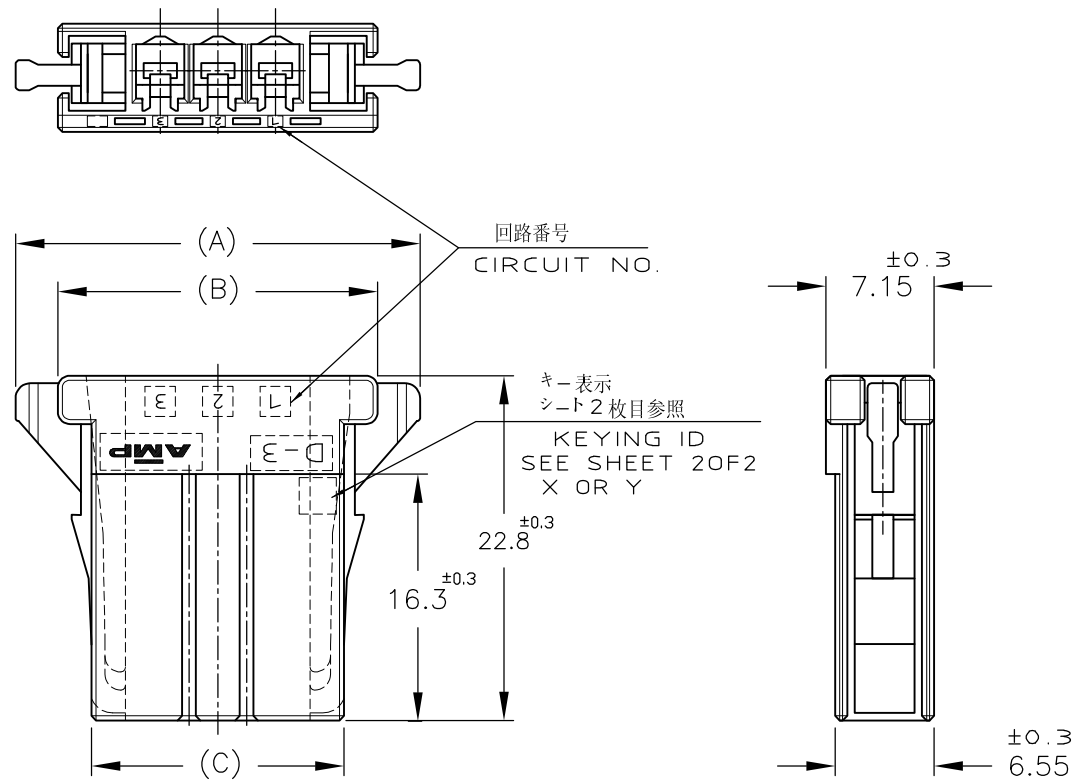


NUMBER 178288



METRIC

PRINT DIST 单位 耗 DIMENSIONS IN MM. DO NOT SCALE PRINT



NOTE

1 MATERIAL: GLASS FIELD THERMO PLASTIC, POLYESTER
 COLOR: BLACK
~~△ TO COAT ALL SURFACE OF HOUSING WITH TEFLON~~

注記

1 材料: ガラス入り熱可塑性ポリエステル樹脂
 色: 黒色
~~△ ハウジング全面にテフロン塗装のこと~~

FINISH	POS.	DIMENSION	A	B	C	D	N	PART NUMBER
	10 POS.		53.43	47.83	43.37	34.29	9	2-178288-8
	10 POS.		53.43	47.83	43.37	34.29	9	1-178288-8
	8 POS.		45.81	40.12	35.97	26.67	7	1-178288-7
	6 POS.		38.19	32.59	28.13	19.05	5	2-178288-6
	6 POS.		38.19	32.59	28.13	19.05	5	1-178288-6
	5 POS.		34.38	28.78	24.32	15.24	4	1-178288-5
	4 POS.		30.57	24.97	20.51	11.43	3	2-178288-4
	4 POS.		30.57	24.97	20.51	11.43	3	1-178288-4
OBSOLETE	△ 3 POS.		26.76	21.16	16.7	7.62	2	6-178288-3
OBSOLETE	△ 3 POS.		26.76	21.16	16.7	7.62	2	5-178288-3
	3 POS.		26.76	21.16	16.7	7.62	2	2-178288-3
	3 POS.		26.76	21.16	16.7	7.62	2	1-178288-3

				STE TE Connectivity						
				REC HSG FOR DYNAMIC, SINGLE ROW ダイナミックφ-3100リセハウジング						
抱合電線断面(WIRE RANGE) mm ² (AWG -)		被覆外径(INSULATION DIA.) mmφ		名称(NAME)						
材料(MATERIAL) SEE NOTE 注記参照		仕上(FINISH)		一般公差 (GENERAL TOLERANCE)						
DR. 9 JUL 91 N. Matsubara		DE. 9 JUL 91 N. Matsubara		10以下 : ±0.2 10以上 30以下 : ±0.25 30以上 100以下 : ±0.3 角度 : ±3'		SIZE A3	LOC J	番号(No.) C=178288		
LTR 変更 (REVISION RECORD)		DR CHK DATE		CHK. 17 JUL 91 H. Obata		APP. 17-DEC-'91 S. MANABE		尺度(SCALE) 2-1	REV. E4	SHEET 1 OF 2

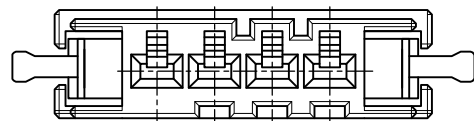
NUMBER 178288



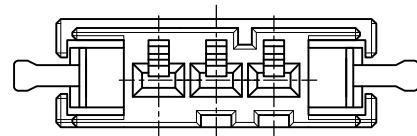
METRIC

PRINT DIST 单位 耗 DIMENSIONS IN MM. DO NOT SCALE PRINT

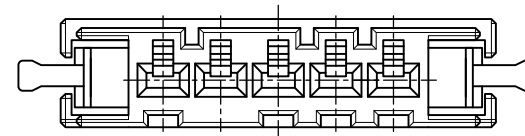
KEYING LOCATION



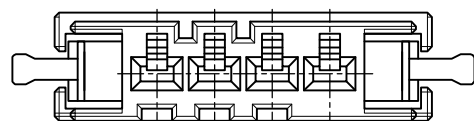
(P/N 2-178288-4 ONLY)
(KEYING: Y)



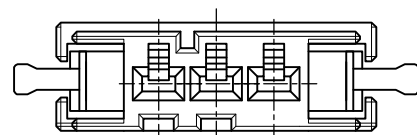
(P/N 2-178288-3 ONLY)
(KEYING: Y)



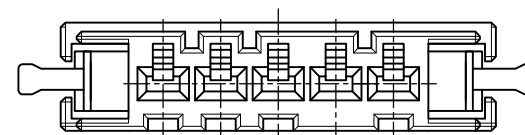
(P/N 2-178288-6,-8)
(KEYING: Y)



(P/N 1-178288-4 ONLY)
(KEYING: X)



(P/N 1-178288-3 ONLY)
(KEYING: X)



(P/N 1-178288-5,-6,-7,-8)
(KEYING: X)

				STE TE Connectivity	
抱合電線断面(WIRE RANGE)		被覆外径(INSULATION DIA.)		名称(NAME)	
mm(AWG -)		mmφ		REC HSG FOR DYNAMIC, SINGLE ROW ダイナミック-3100リセハウジング	
材料(MATERIAL) SEE NOTE 注記参照		仕上(FINISH)		一般公差 (GENERAL TOLERANCE)	SIZE LOC 番号(No.)
DR.		DE. OF 2		10以下 : ±0.2 10を超え30以下 : ±0.25 30を超え100以下 : ±0.3 角度 : ±3°	A3 J 178288
LTR 変更 (REVISION RECORD)	DR	CHK	DATE	CHK. SEE 1 OF 2 APP.	尺度(SCALE) REV. SHEET 2-1 E4 2 OF 2

(CUSTOMER DRAWING) 顧客用図面

Mouser Electronics

Authorized Distributor

Click to View Pricing, Inventory, Delivery & Lifecycle Information:

[TE Connectivity:](#)

[1-178288-8](#)