

4

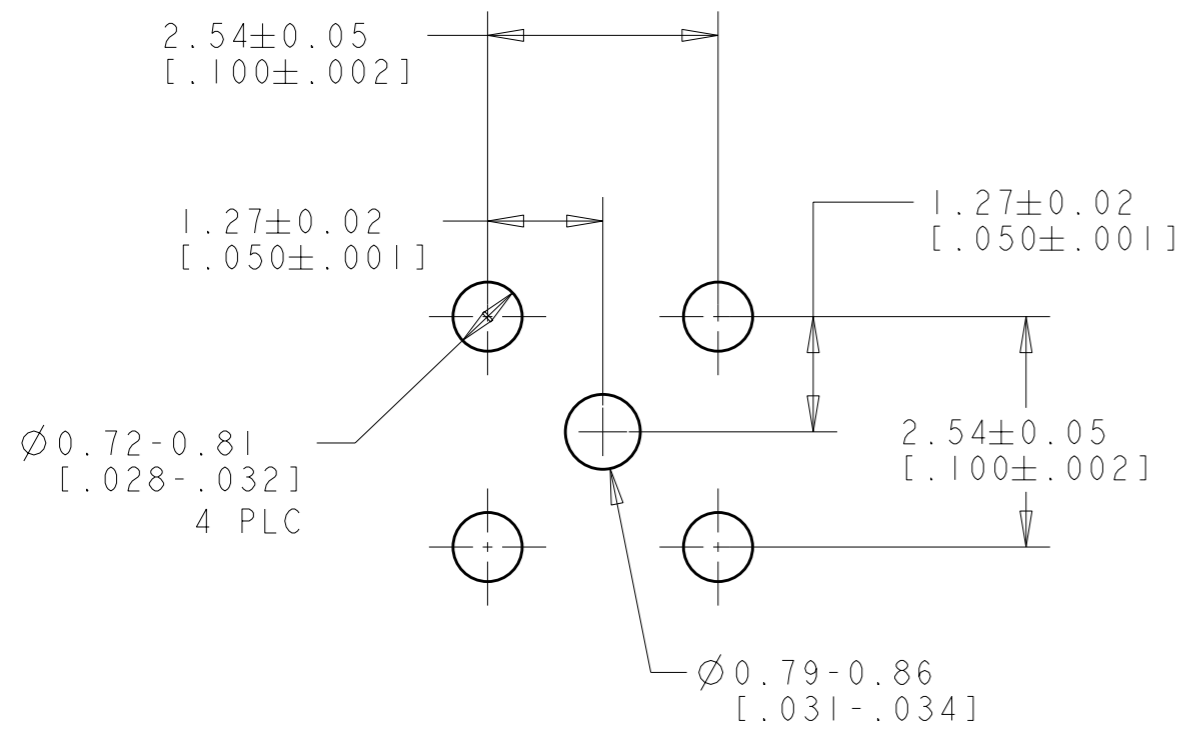
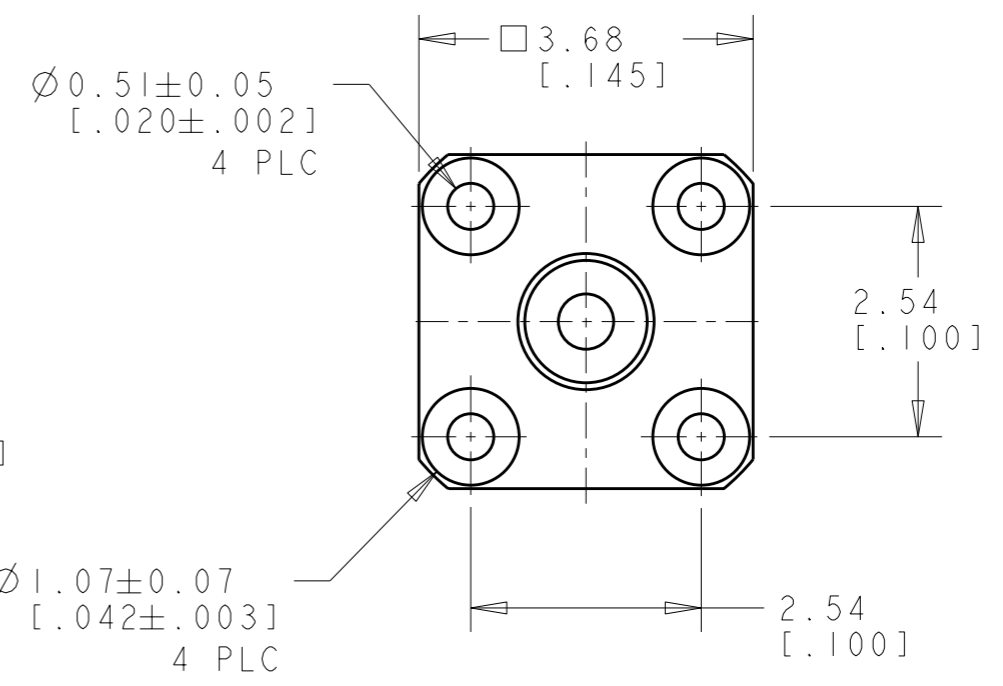
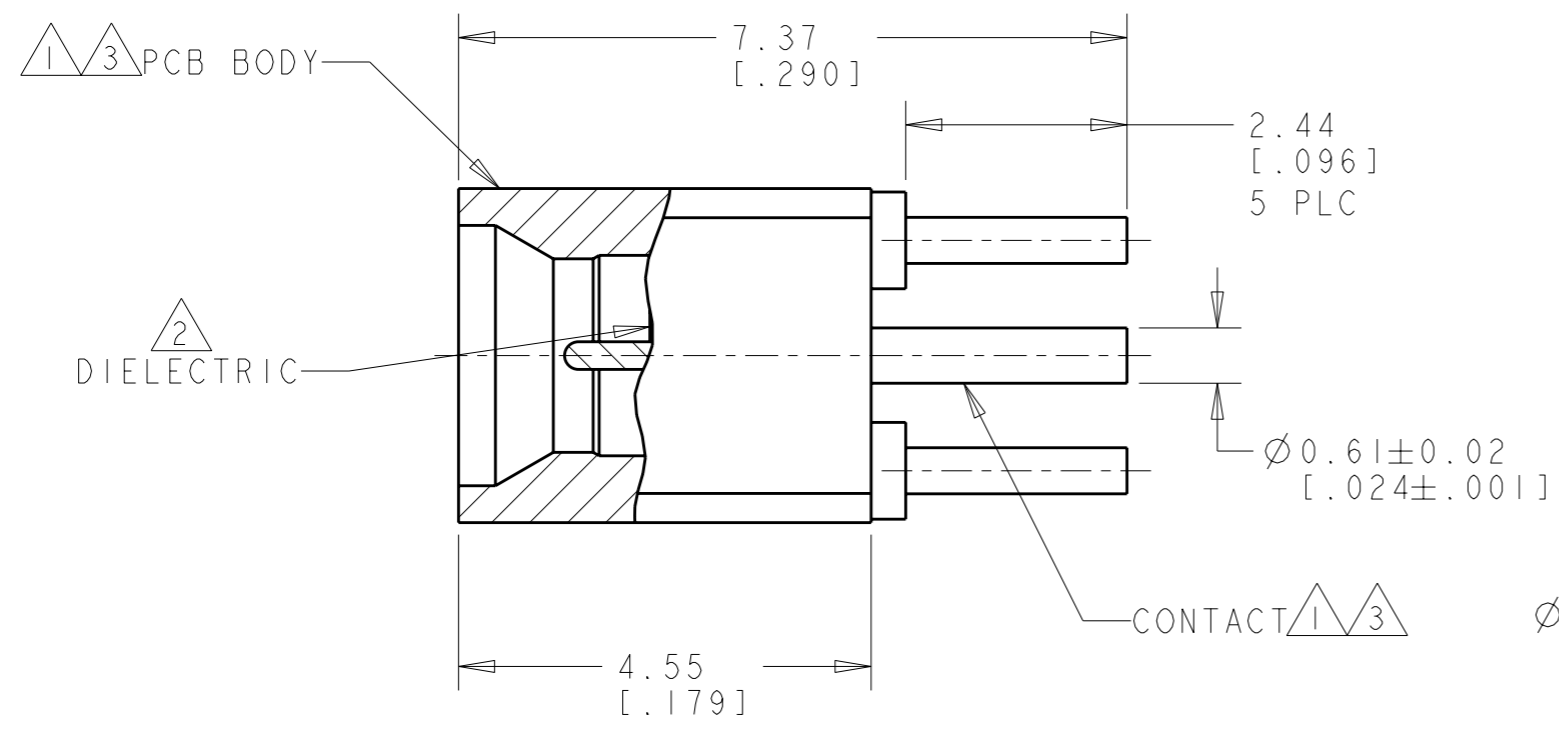
3

2

1

THIS DRAWING IS UNPUBLISHED. RELEASED FOR PUBLICATION
 © COPYRIGHT - BY - ALL RIGHTS RESERVED.

LOC		DIST		REVISIONS			
P	LTR	DESCRIPTION		DATE	DWN	APVD	
-	-	B		RELEASED PER ECO 11-013150	7-1-11	CT	BM



- ① BERYLLIUM COPPER PER ASTM-B-196
- ② TFE FLUOROCARBON PER ASTM-D-1710
- ③ GOLD PER ASTM-B-488
- 4. SMPM INTERFACE PER MIL-STD-348A, FIGURE 328.2

1757644-1
 PART NUMBER

THIS DRAWING IS A CONTROLLED DOCUMENT.		DWN B. MOYER 27MAY2005	TE Connectivity													
DIMENSIONS: mm [INCHES]		CHK C.C. THOMAS 7-1-11														
TOLERANCES UNLESS OTHERWISE SPECIFIED:		APVD B. MOYER 7-1-11	NAME SMPM, MALE, VERTICAL, THRU-HOLE, PCB MOUNT, 50 OHM													
<table border="1"> <tr><td>0 PLC</td><td>±</td></tr> <tr><td>1 PLC</td><td>±0.0</td></tr> <tr><td>2 PLC</td><td>±.3 [.01]</td></tr> <tr><td>3 PLC</td><td>±.13 [.005]</td></tr> <tr><td>4 PLC</td><td>±0.000</td></tr> <tr><td>ANGLES</td><td>±1</td></tr> </table>		0 PLC	±	1 PLC	±0.0	2 PLC	±.3 [.01]	3 PLC	±.13 [.005]	4 PLC	±0.000	ANGLES	±1	PRODUCT SPEC -	RESTRICTED TO -	
0 PLC	±															
1 PLC	±0.0															
2 PLC	±.3 [.01]															
3 PLC	±.13 [.005]															
4 PLC	±0.000															
ANGLES	±1															
MATERIAL ① ②		APPLICATION SPEC -	SIZE A3	CAGE CODE 00779	DRAWING NO C-1757644											
FINISH ③		WEIGHT -	SCALE 12:1		SHEET 1											
CUSTOMER DRAWING			REV B													

Mouser Electronics

Authorized Distributor

Click to View Pricing, Inventory, Delivery & Lifecycle Information:

[TE Connectivity:](#)

[1757644-1](#)