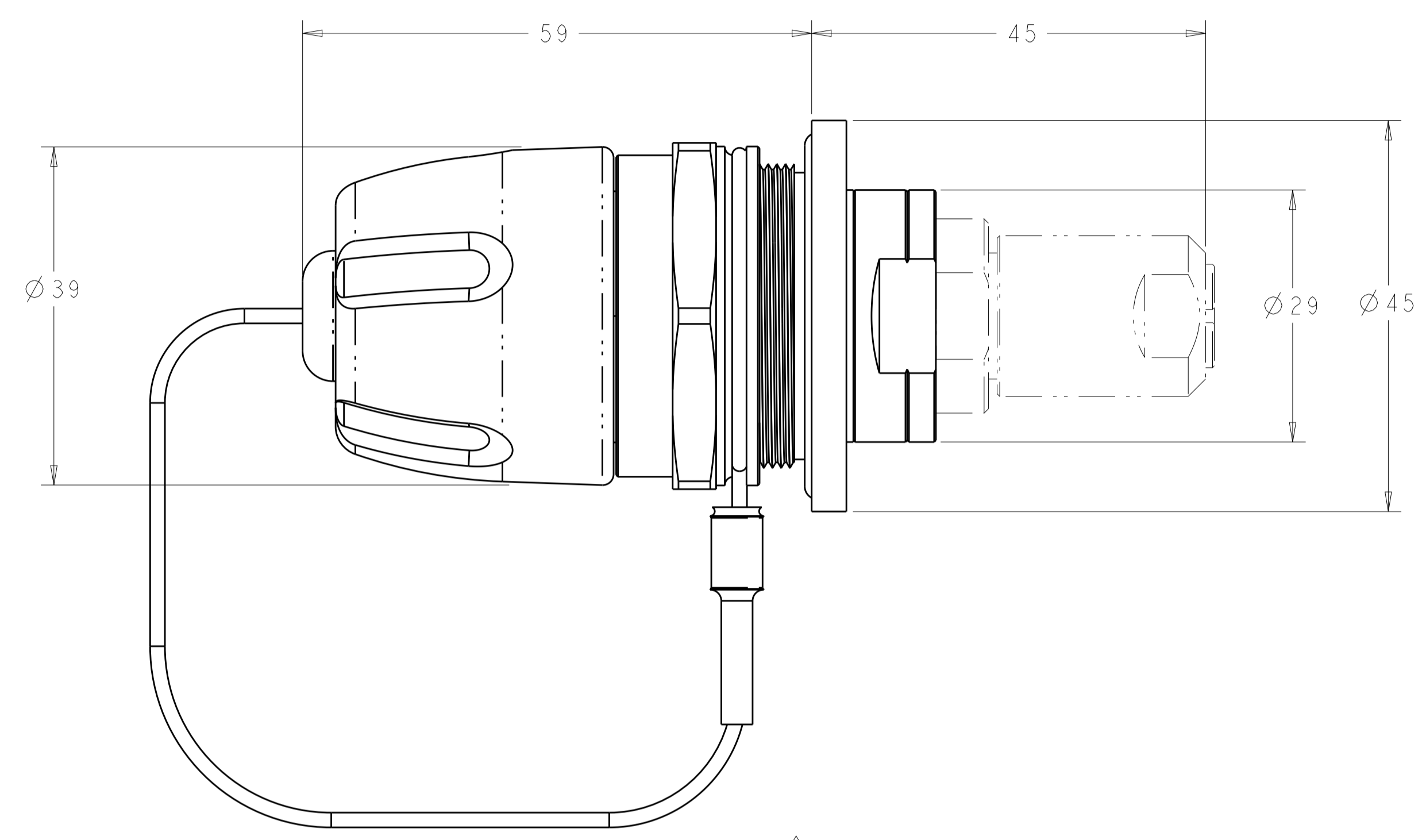


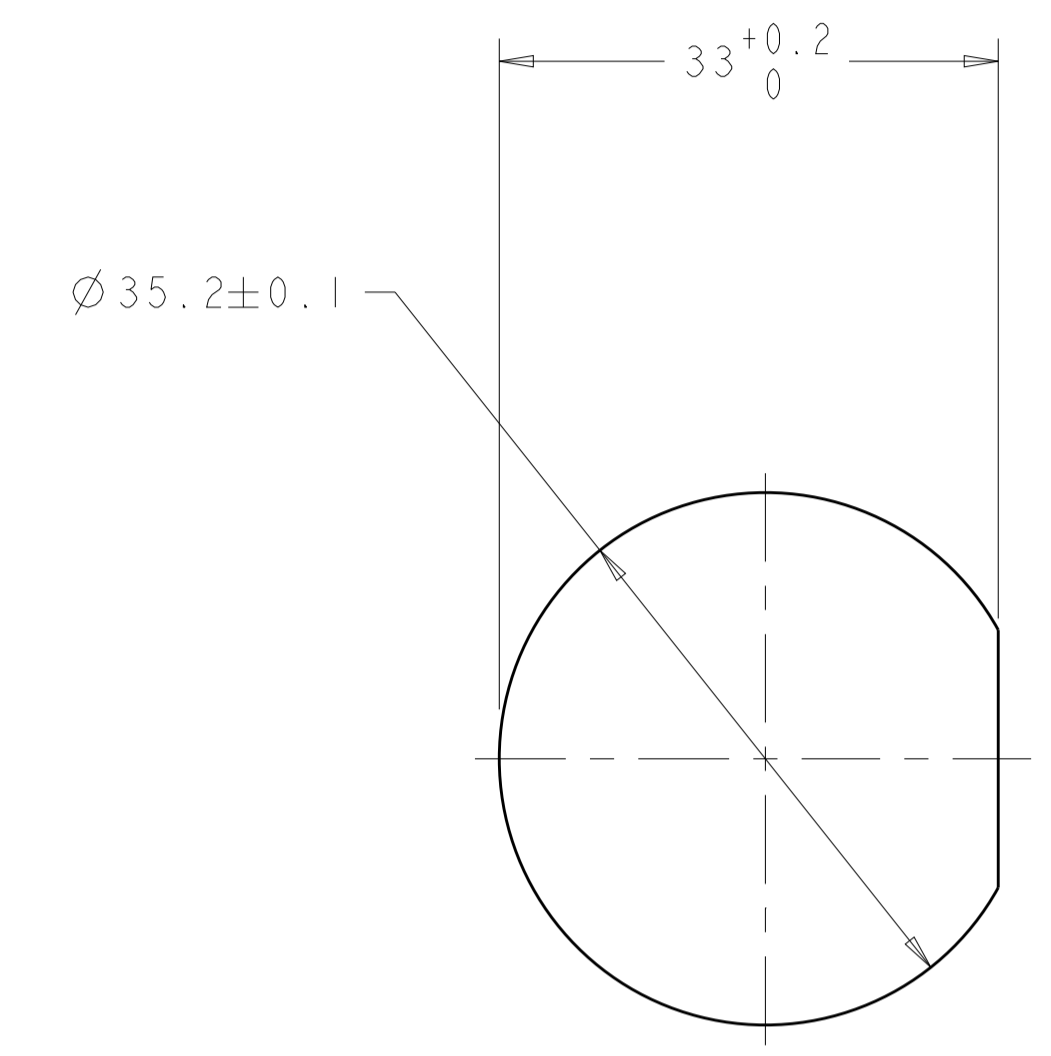
REVISIONS				
P.	LTN	DESCRIPTION	DATE	APVD
	D2	ECR-15-009282	29JUL2015	KG DW

1. ASSEMBLY SHOWN FOR REFERENCE ONLY. SHIPPED LOOSE PIECE AS SHOWN ON PAGE 2.
2. ALL ASSEMBLY DIMENSIONS ARE FOR REFERENCE ONLY.
3. PANEL THICKNESS SHOULD BE BETWEEN 1mm AND 6.5mm.
4. THIS PRODUCT HAS NOT COMPLETED VALIDATION TESTING.
5. COMPLETE THE CONNECTOR ASSEMBLY BY ADDING EACH OF THE FOLLOWING PRO BEAM SR. KITS:
 - A. EXPANDED BEAM INSERT ASSEMBLY KIT;
 - B. CABLE ADAPTER KIT, SIZED TO THE CABLE JACKET DIAMETER;
 - C. FERRULE KIT, ONE PER FIBER.

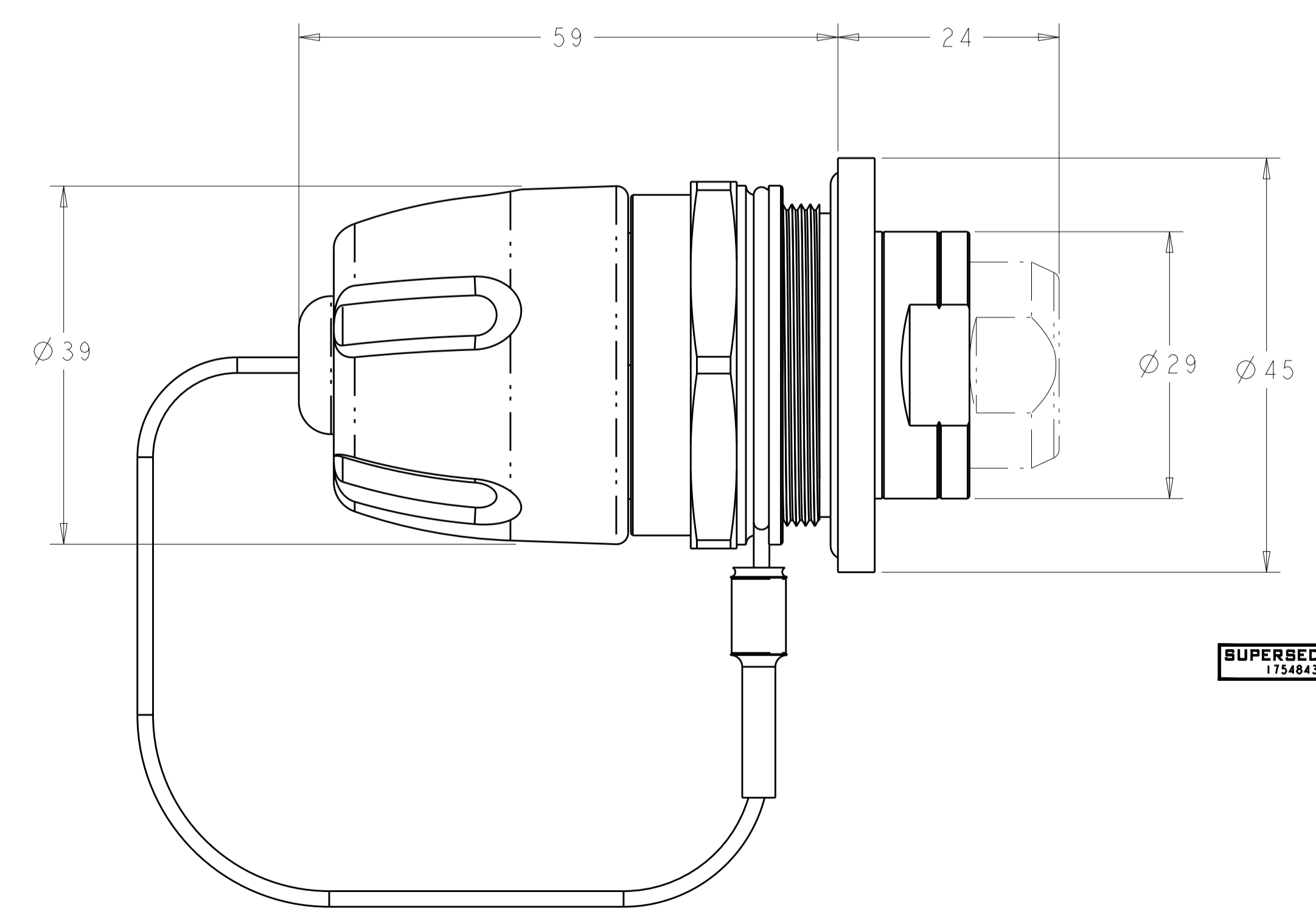
6. VIEWS SHOWN WITH CABLE ADAPTER VARIATIONS IN PHANTOM LINES FOR VISUAL AND DIMENSIONAL REFERENCE ONLY. CABLE ADAPTER KITS ARE ORDERED SEPERATELY.



6 SHOWN WITH STANDARD ADAPTER FOR MIL-TACTICAL CABLE



3 RECOMMENDED PANEL CUT-OUT



6 SHOWN WITH LOW-PROFILE ADAPTER FOR BUFFERED FIBER

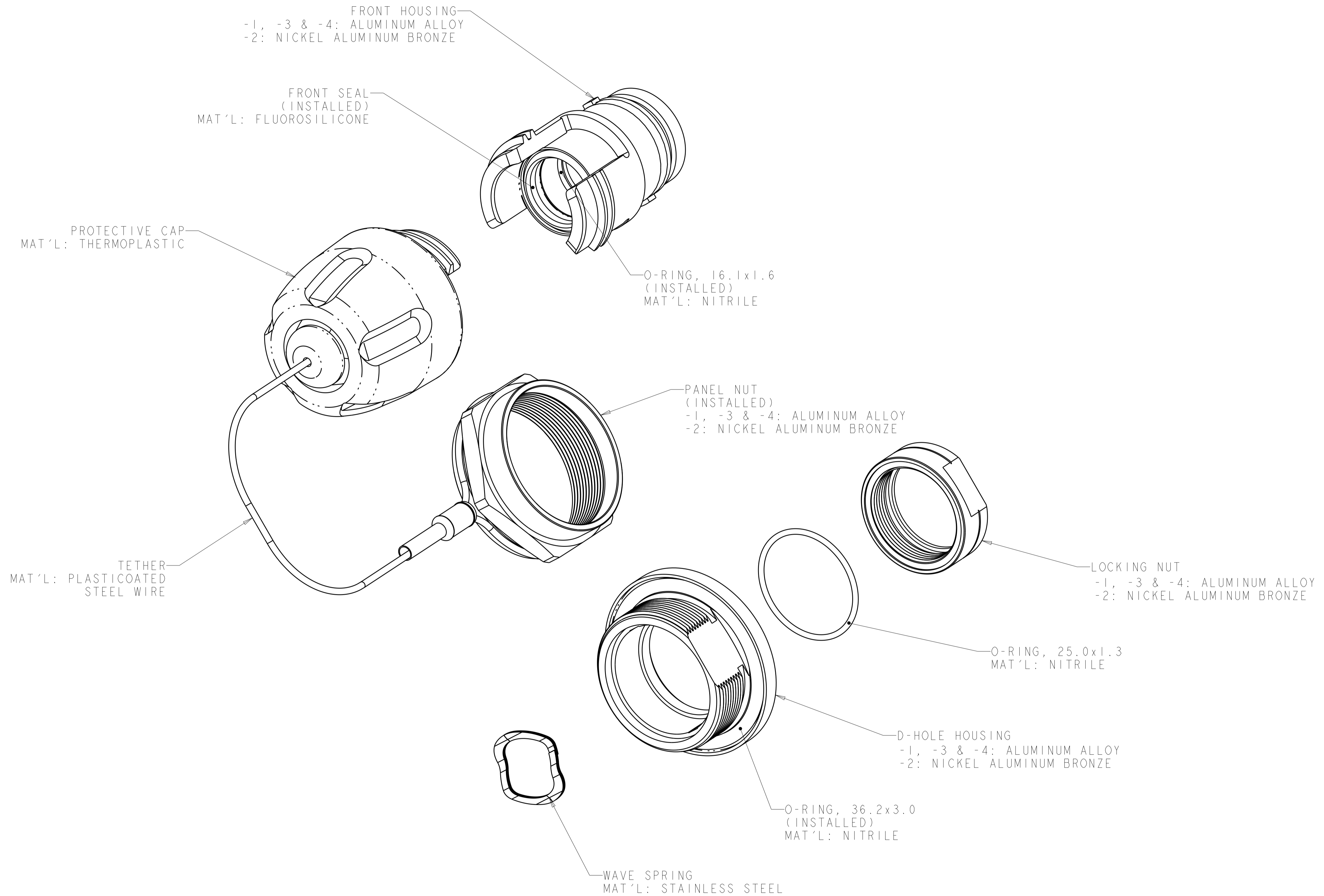
SUPERSEDED BY:
1754843-4

CONDUCTIVE BLACK Zn-Ni	ALUMINUM	1754843-4
CONDUCTIVE OLIVE DRAB	ALUMINUM	1754843-3
N/A	NICKEL ALUMINUM BRONZE	1754843-2
HARD ANODIZE	ALUMINUM	1754843-1
PLATING	HOUSING ALLOY	PART NUMBER

THIS DRAWING IS A CONTROLLED DOCUMENT.		DWN K. GLATFELT 23JUL2004	TE Connectivity
DIMENSIONS:		CHK D. WERTMAN 12AUG2004	
mm	TOLERANCES UNLESS OTHERWISE SPECIFIED:	APVD D. WERTMAN 13AUG2004	NAME CONNECTOR SHELL KIT, D-HOLE BULKHEAD, PRO BEAM SR.
0 PLC	±	PRODUCT SPEC	SIZE
1 PLC	±	APPLICATION SPEC	CAGE CODE
2 PLC	±		DRAWING NO
3 PLC	±		RESTRICTED TO
4 PLC	±		A100779
ANGLES	±		©=1754843
MATERIAL	FINISH	WEIGHT	SCALE
-	SEE TABLE	Customer Drawing	2:1
			SHEET 1 OF 2
			REV D2

REVISIONS				
P.	LTN	DESCRIPTION	DATE	APVD
-	-	SEE SHEET 1	-	-

1. SHIPPED LOOSE PIECE AS SHOWN.



THIS DRAWING IS A CONTROLLED DOCUMENT.		DWN A. GLATFELTER 23 JUL 2004	TE Connectivity										
DIMENSIONS: mm		CHK D. WERTMAN 12 AUG 2004											
<table border="1"> <tr> <td>0 PLC</td> <td>±</td> </tr> <tr> <td>2 PLC</td> <td>±</td> </tr> <tr> <td>3 PLC</td> <td>±</td> </tr> <tr> <td>4 PLC</td> <td>±</td> </tr> <tr> <td>ANGLES</td> <td>±</td> </tr> </table>		0 PLC	±	2 PLC	±	3 PLC	±	4 PLC	±	ANGLES	±	APVD D. WERTMAN 13 AUG 2004	NAME CONNECTOR SHELL KIT, D-HOLE BULKHEAD, PRO BEAM SR.
0 PLC	±												
2 PLC	±												
3 PLC	±												
4 PLC	±												
ANGLES	±												
MATERIAL SEE TABLE		FINISH SEE TABLE	SIZE CAGE CODE DRAWING NO A100779C=1754843										
		WEIGHT Customer Drawing	RESTRICTED TO -										
		SCALE 1:1	SHEET 2 OF 2 REV D2										

Mouser Electronics

Authorized Distributor

Click to View Pricing, Inventory, Delivery & Lifecycle Information:

[TE Connectivity:](#)

[1754843-2](#)