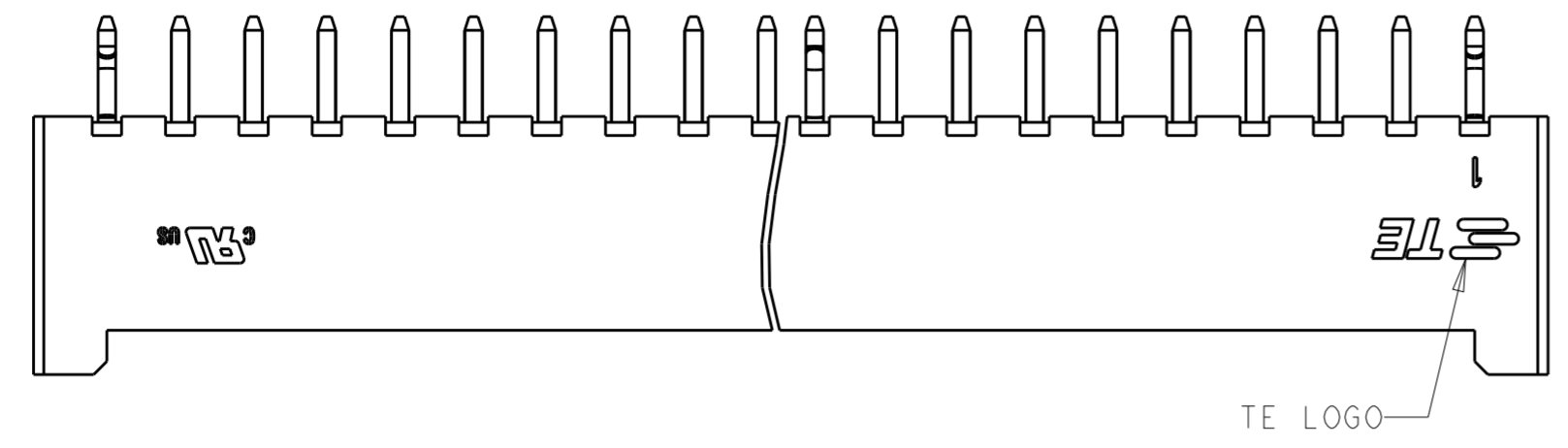
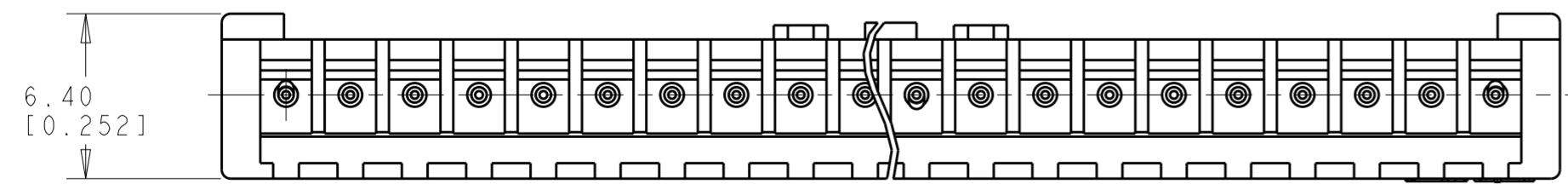
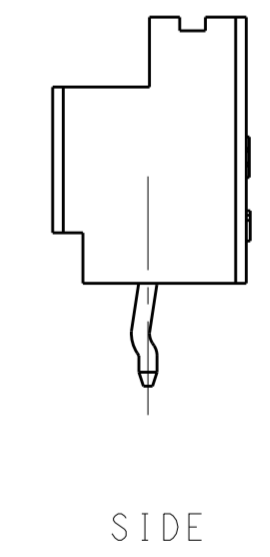
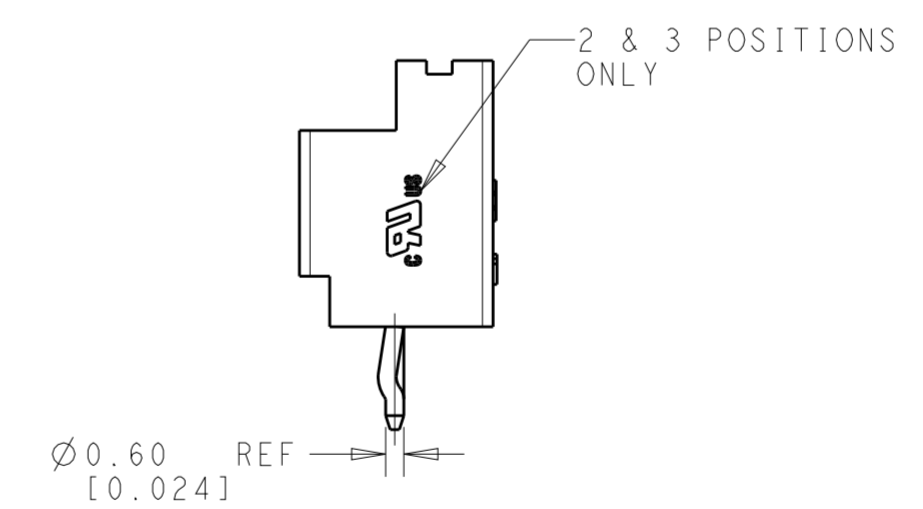
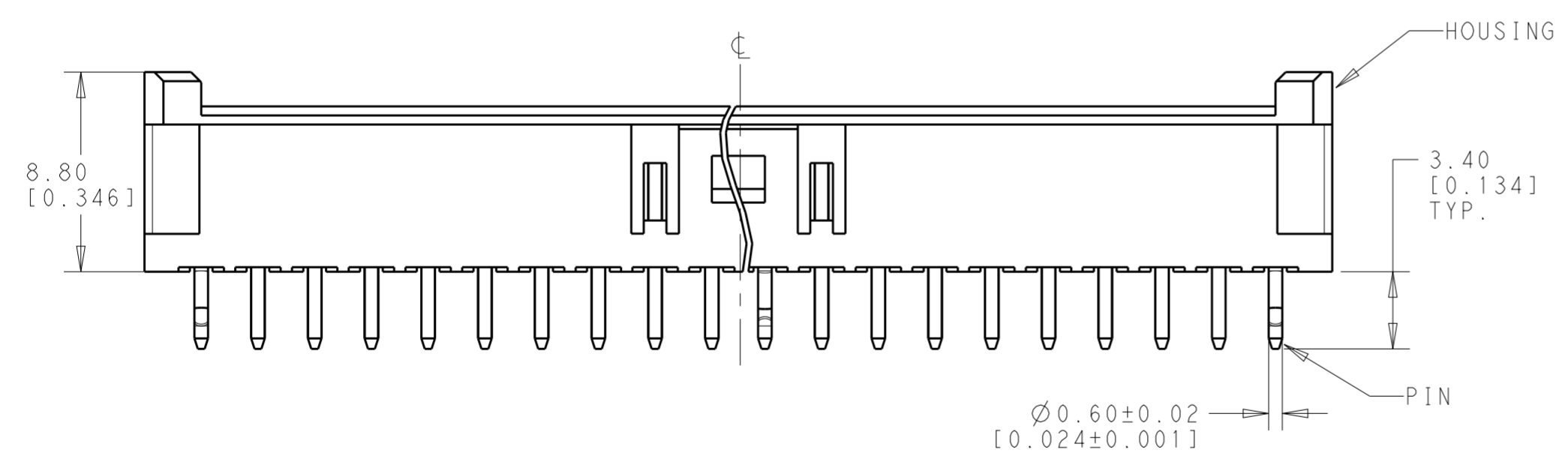
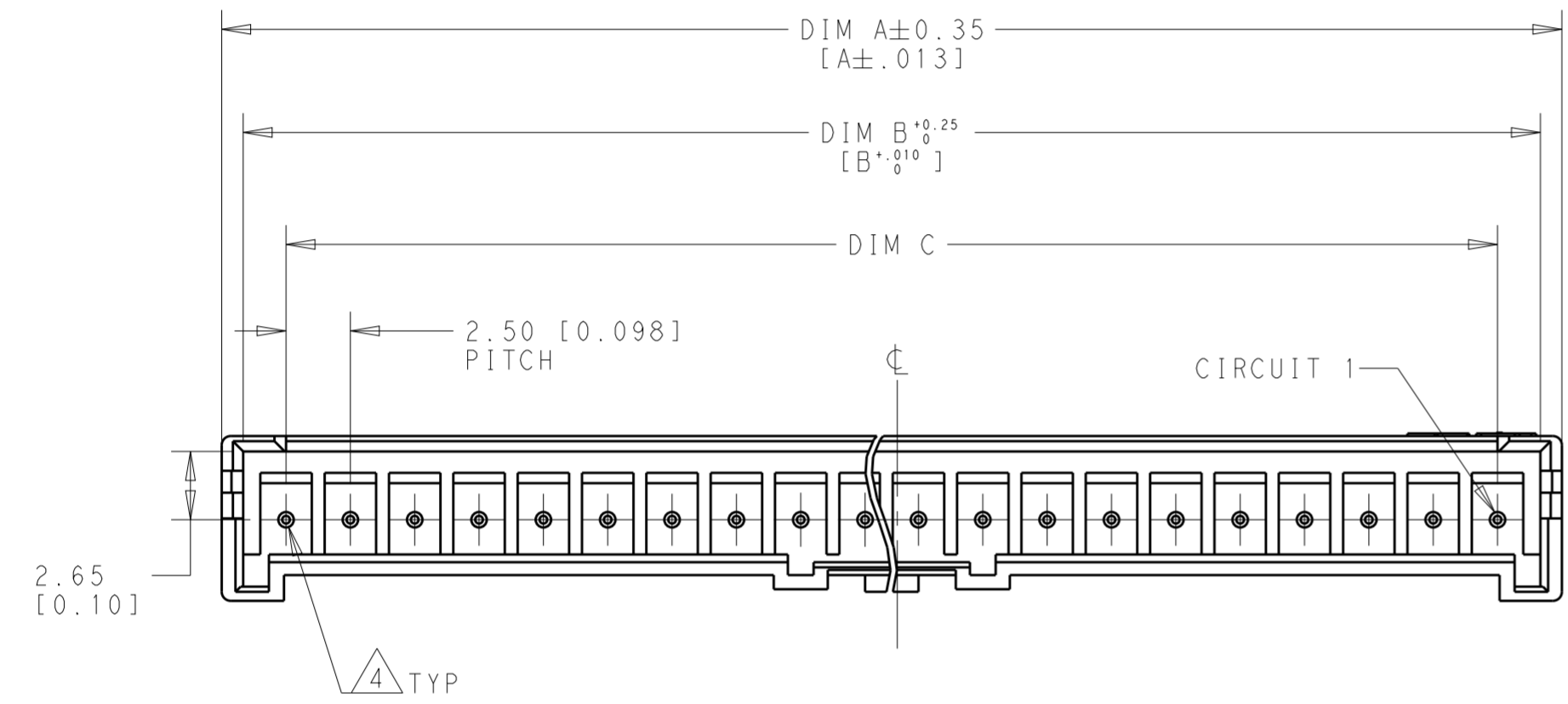


THIS DRAWING IS UNPUBLISHED. RELEASED FOR PUBLICATION 20  
 © COPYRIGHT 20 BY - ALL RIGHTS RESERVED.

REVISIONS				
P	LTR	DESCRIPTION	DATE	APVD
	D4	REVISED PER ECR-17-013791	30DEC2017	W.H D.Z



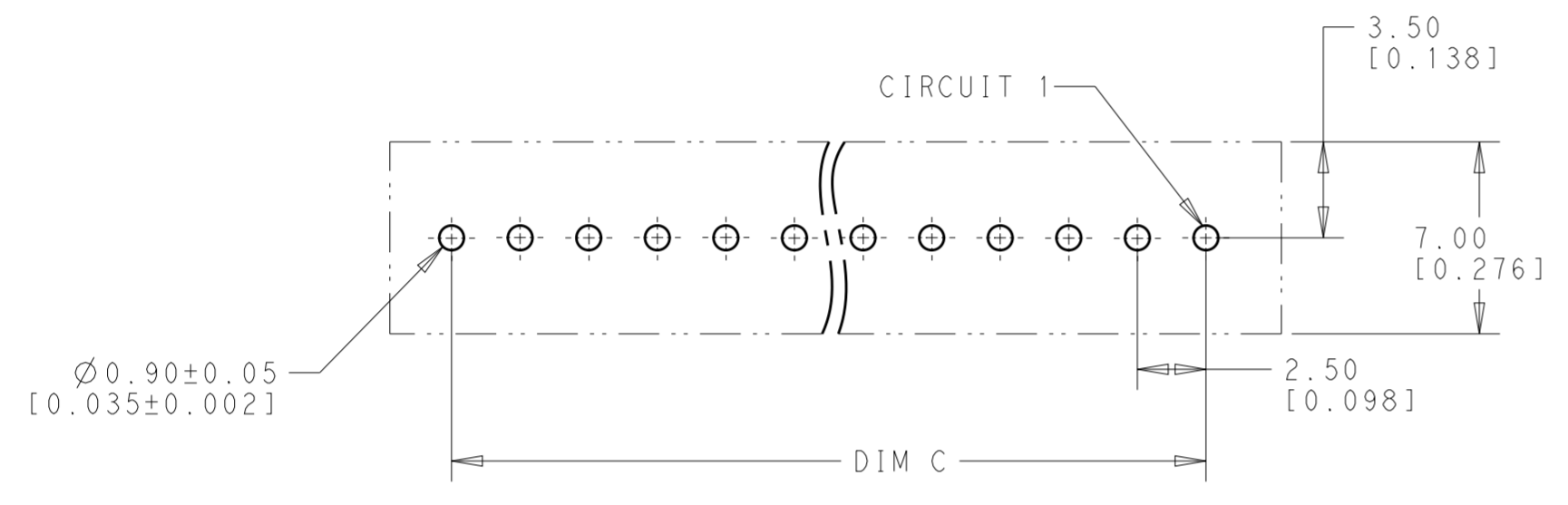
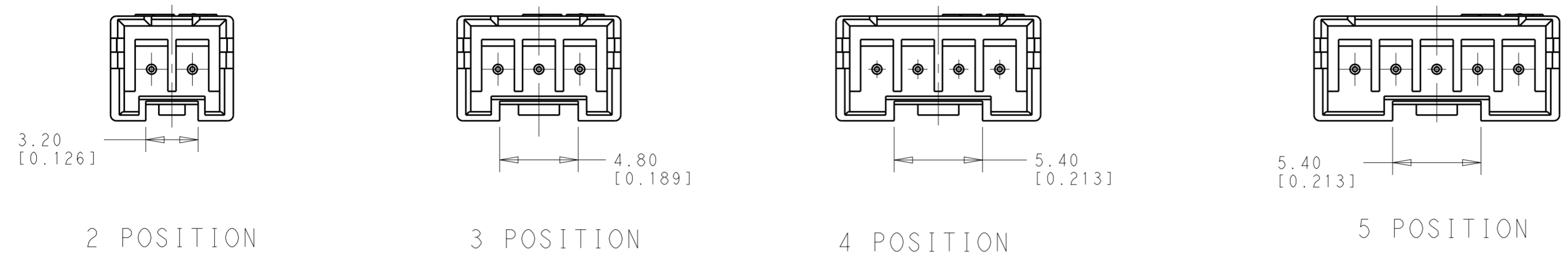
- 1 MATERIAL: HIGH PERFORMANCE RESIN, UL94 VO, COLOR: NATURAL
- 2 PARTS TESTED TO IEC 60695-2-11 AND IS COMPLIANT TO IEC 60335-1.
- 3 HOUSING MATERIAL MEETS MINIMUM GLOW WIRE FLAMMABILITY INDEX OF 850°C PER IEC 60695-2-12 AND MINIMUM GLOW WIRE IGNITION TEMPERATURE OF 775°C PER IEC 60695-2-13.
- 4 POST RETENTION: 20 NEWTONS [4.5 LBF] MIN.



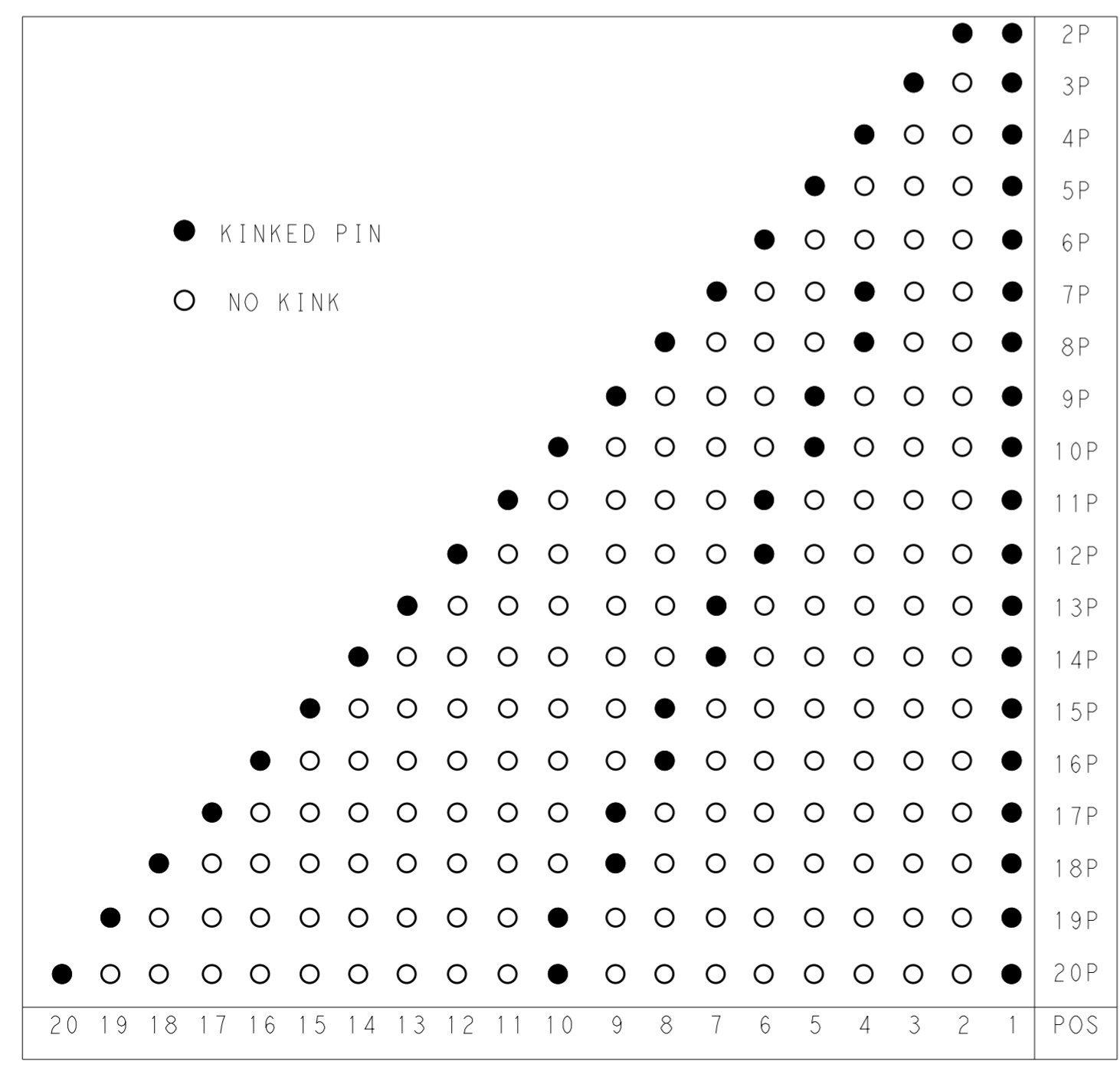
THIS DRAWING IS A CONTROLLED DOCUMENT.		DWN 08 JUN 2016 NAGALAKSHMI K	TE Connectivity
DIMENSIONS: mm [INCHES]		CHK 08 JUN 2016 CHIARELLI DAVIDE	
TOLERANCES UNLESS OTHERWISE SPECIFIED:		APVD 08 JUN 2016 CHIARELLI DAVIDE	NAME HEADER ASSEMBLY, VERTICAL, ECONOMY POWER, 2.5mm CENTERLINE, GLOW WIRE
0 PLC ±0.50	1 PLC ±0.30	PRODUCT SPEC 108-2418 4	SIZE A2
2 PLC ±0.20	3 PLC ±0.10	APPLICATION SPEC 114-13315	CAGE CODE 00779
4 PLC ±	ANGLES ±3°	WEIGHT -	DRAWING NO C-1744439
MATERIAL -	FINISH -	CUSTOMER DRAWING	RESTRICTED TO
SCALE 4:1			SHEET 1 OF 2
REV D4			

THIS DRAWING IS UNPUBLISHED. RELEASED FOR PUBLICATION 20  
 © COPYRIGHT 20 BY - ALL RIGHTS RESERVED.

REVISIONS				
P	LTR	DESCRIPTION	DATE	APVD
-	-	SEE SHEET 1	-	-



RECOMMENDED PCB LAYOUT



47.5 [1.870]	50.83[2.001]	52.5 [2.067]	20	2-1744439-0
45.0 [1.772]	48.33[1.903]	50.0 [1.968]	19	1-1744439-9
42.5 [1.673]	45.83[1.804]	47.5 [1.870]	18	1-1744439-8
40.0 [1.575]	43.33[1.706]	45.0 [1.772]	17	1-1744439-7
37.5 [1.476]	40.83[1.607]	42.5 [1.673]	16	1-1744439-6
35.0 [1.378]	38.33[1.510]	40.0 [1.575]	15	1-1744439-5
32.5 [1.280]	35.83[1.411]	37.5 [1.476]	14	1-1744439-4
30.0 [1.181]	33.33[1.312]	35.0 [1.378]	13	1-1744439-3
27.5 [1.083]	30.83[1.214]	32.5 [1.280]	12	1-1744439-2
25.0 [.984]	28.33[1.115]	30.0 [1.181]	11	1-1744439-1
22.5 [.886]	25.83[1.016]	27.5 [1.083]	10	1-1744439-0
20.0 [.787]	23.33[.919]	25.0 [.984]	9	1744439-9
17.5 [.689]	20.83[.820]	22.5 [.886]	8	1744439-8
15.0 [.591]	18.33[.722]	20.0 [.787]	7	1744439-7
12.5 [.492]	15.83[.623]	17.5 [.689]	6	1744439-6
10.0 [.395]	13.33[.525]	15.0 [.591]	5	1744439-5
7.5 [.295]	10.83[.426]	12.5 [.492]	4	1744439-4
5.0 [.197]	8.33[.328]	10.0 [.395]	3	1744439-3
2.5 [.098]	5.83[.229]	7.5 [.295]	2	1744439-2
DIM C	DIM B	DIM A	POS	PART NO

THIS DRAWING IS A CONTROLLED DOCUMENT.

DWN NAGALAKSHMI K 08 JUN 2016  
 CHK CHIARELLI DAVIDE 08 JUN 2016  
 APVD CHIARELLI DAVIDE 08 JUN 2016

TE Connectivity

NAME: HEADER ASSEMBLY, VERTICAL, ECONOMY POWER, 2.5mm CENTERLINE, GLOW WIRE

PRODUCT SPEC: 108-2418  
 APPLICATION SPEC: 114-13315

MATERIAL: -  
 FINISH: -

WEIGHT: -

SIZE: A2    CAGE CODE: 00779    DRAWING NO: C-1744439

RESTRICTED TO: -

CUSTOMER DRAWING    SCALE: 4:1    SHEET: 2 OF 2    REV: D4

# Mouser Electronics

Authorized Distributor

Click to View Pricing, Inventory, Delivery & Lifecycle Information:

[TE Connectivity:](#)

[1-1744439-4](#)