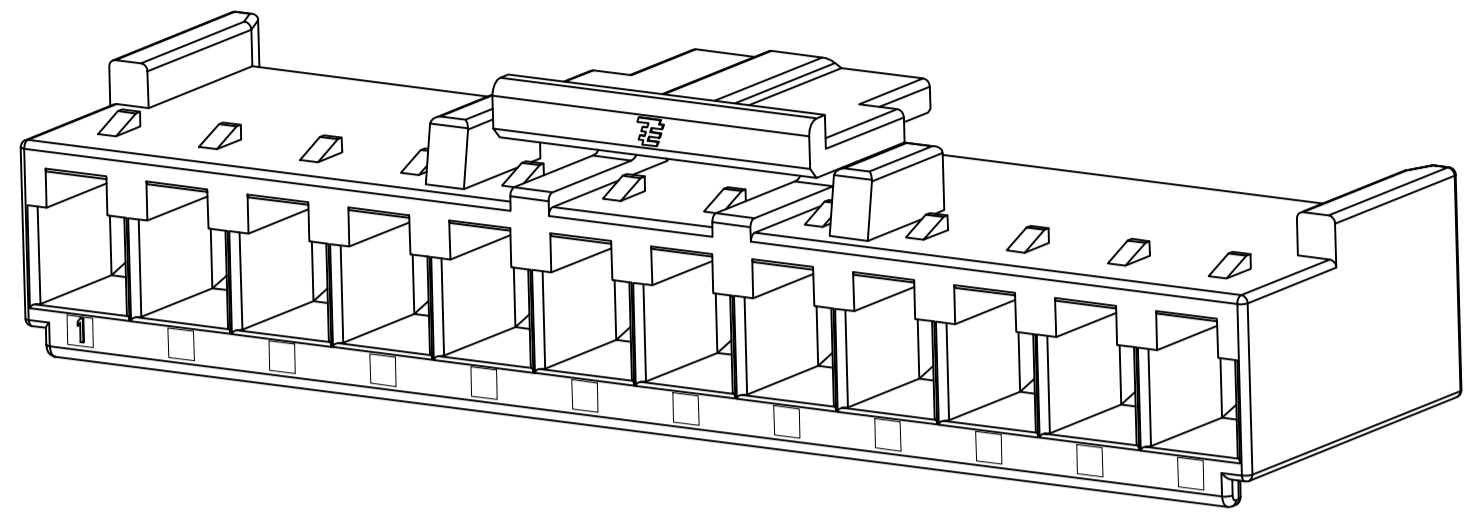
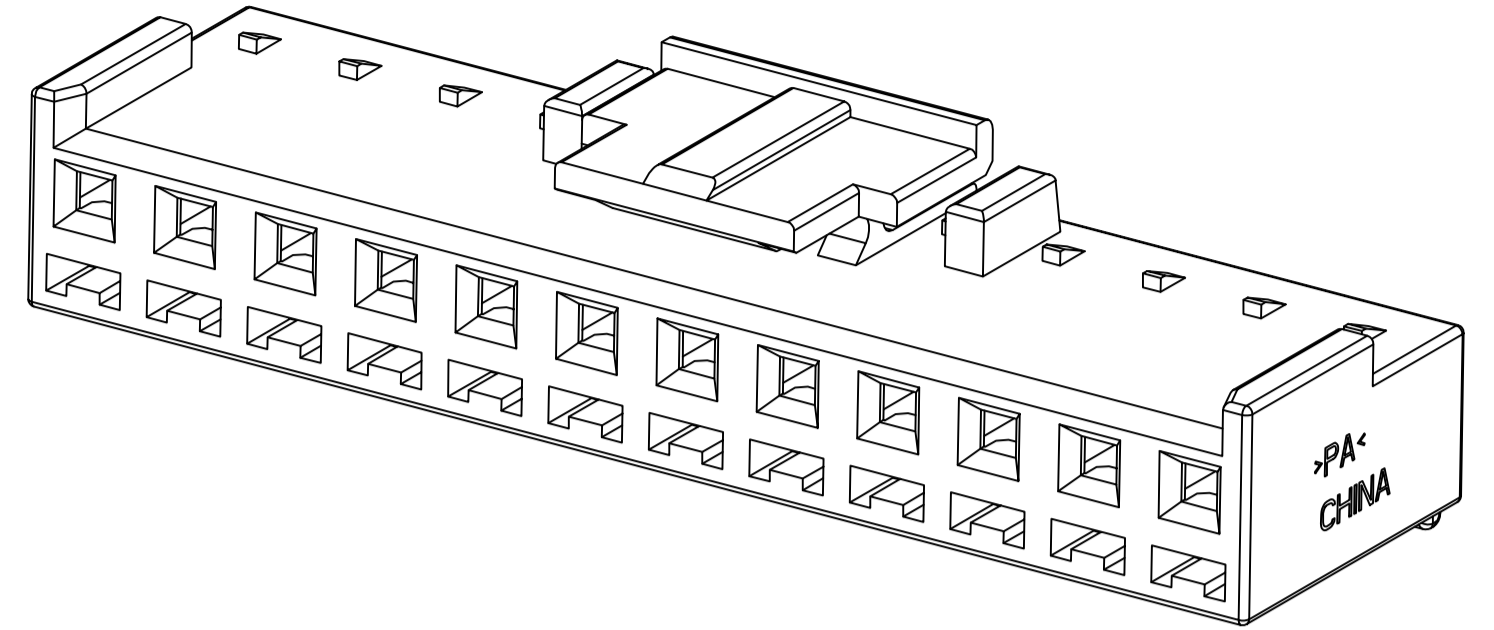


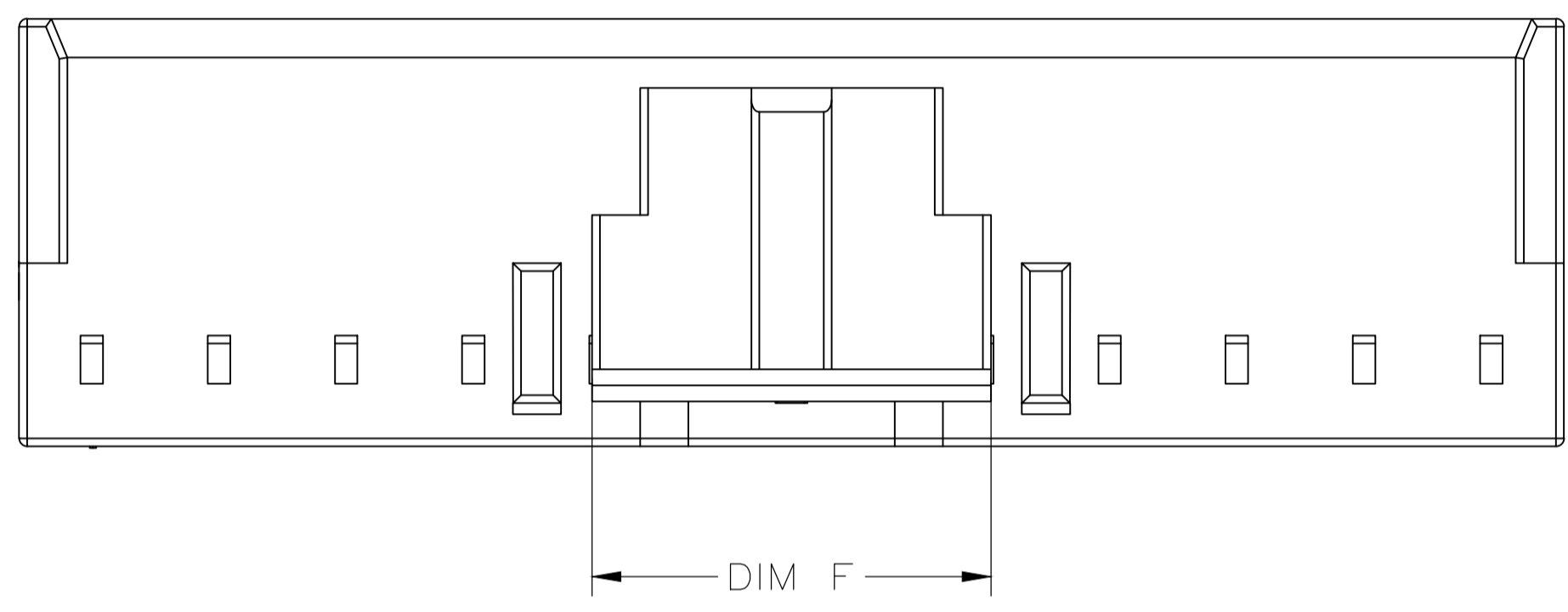
REVISIONS				
P	LTR	DESCRIPTION	DATE	APP'D
E		REVISED PER ECR-20-100500	13OCT2020	S.K D.Z



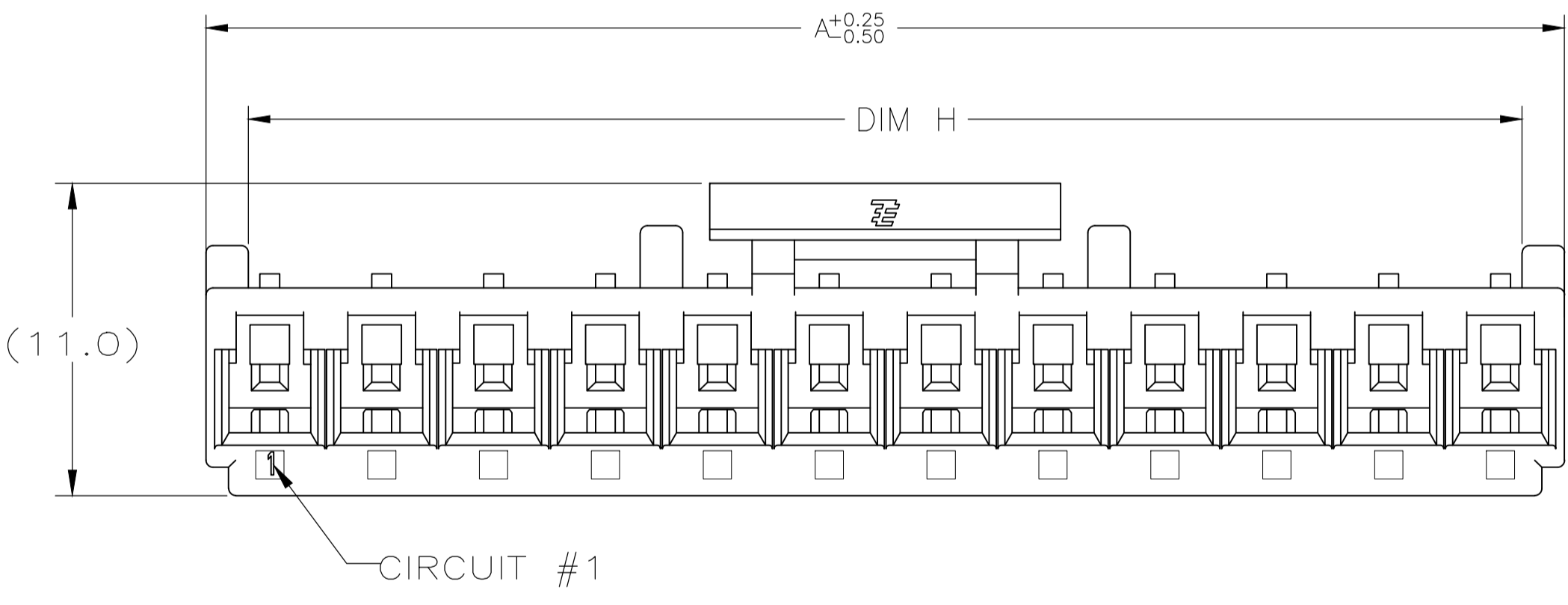
ISOMETRIC REAR VIEW
(12 POSITION SHOWN)



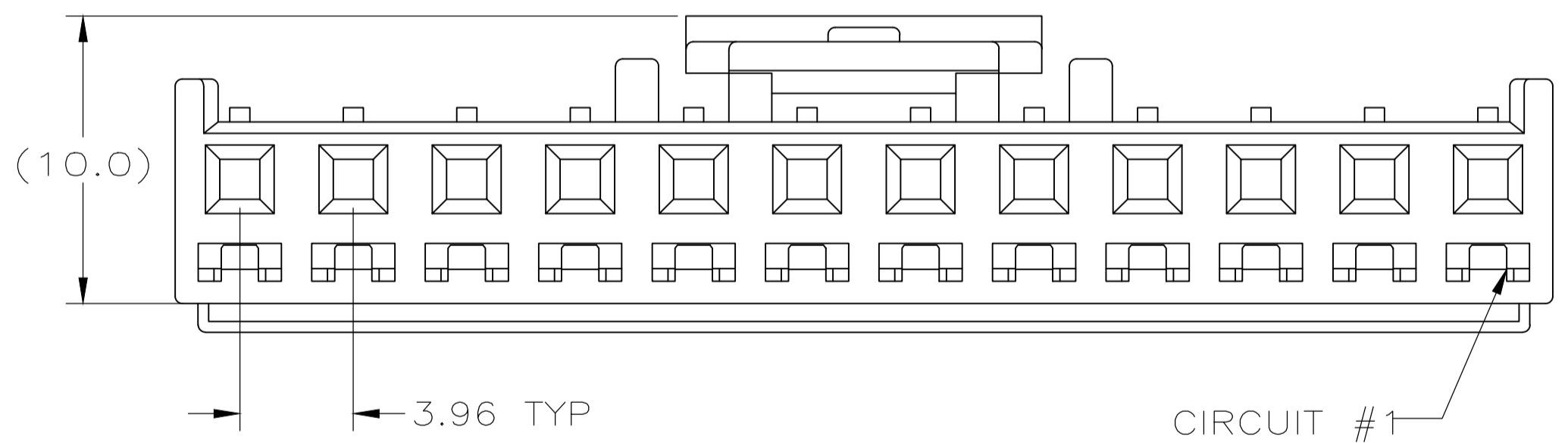
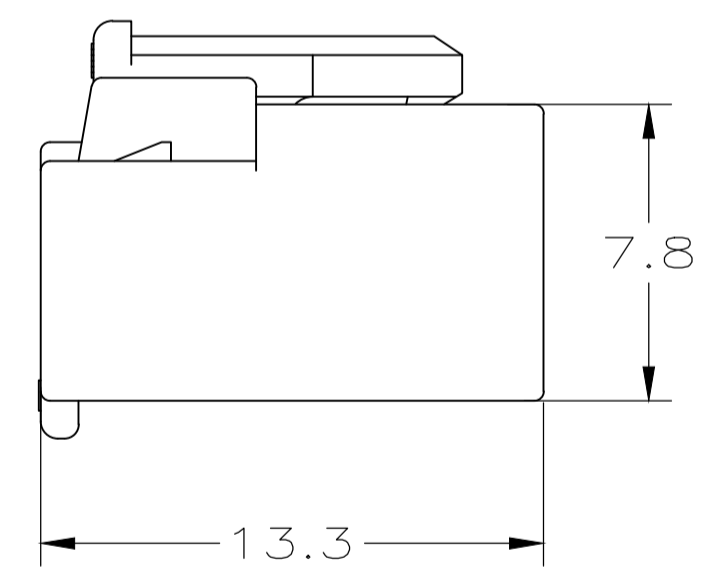
ISOMETRIC MATING FACE VIEW
(12 POSITION SHOWN)



DIM F



CIRCUIT #1



CIRCUIT #1

- 1 MATERIAL: NYLON, UL94V-0 FLAME RETARDENT, COLOR: NATURAL
- 2 HOUSINGS TO USE "BREAKWAY RETAINER", P/N:1-1744416-2 (12 POSN), 12 POSITION PART TO BE SEPARATED AT APPROPRIATE NOTCHES TO FIT 2 POSITION THRU 11 POSITION HOUSINGS.
- 3 DIMENSIONS SHOWN REPRESENT PRODUCT IN DRY, AS MOLDED, CONDITION. ADDITIONAL 2% GROWTH DUE TO SUBSEQUENT MOISTURE ABSORPTION MAY OCCUR AND SHOULD BE ACCOUNTED FOR.
- 4 COMPLY WITH GLOW WIRE REQUIREMENTS FOR PARTS OF NON-METALLIC MATERIAL SUPPORTING A CURRENT-CARRYING CONNECTION DETAILED IN IEC 60335-1, SECTION 30(GWT)

45.68	12.42	48.08	12	1-1744416-2
41.72	8.46	44.12	11	1-1744416-1
37.76	12.42	40.16	10	1-1744416-0
33.80	8.46	36.20	9	1744416-9
29.84	12.42	32.24	8	1744416-8
25.88	8.46	28.28	7	1744416-7
21.92	12.42	24.32	6	1744416-6
17.96	8.46	20.36	5	1744416-5
14.36	12.42	16.40	4	1744416-4
10.40	8.46	12.44	3	1744416-3
6.44	4.50	8.48	2	1744416-2
DIM H	DIM F	DIM A	NO. OF POSN	PART NUMBERS

THIS DRAWING IS A CONTROLLED DOCUMENT.

DIMENSIONS:	TOLERANCES UNLESS OTHERWISE SPECIFIED:	DIN	JR_RUTH	31OCT11
mm	0. PLC ± -	CIK	SAM_MACE	31OCT11
	1. PLC ± 0.4	APVD	SAM_MACE	31OCT11
	2. PLC ± 0.25	NAME	RECEPTACLE HOUSING, ECONOMY POWER II, GLOW WIRE	
	3. PLC ± 0.13	PRODUCT SPEC	108-2297	
	4. PLC ± -	APPLICATION SPEC	114-13265	
	ANGLES ± 1	SIZE	CAGE CODE	DRAWING NO
MATERIAL	FINISH	WEIGHT	A1	00779
		CUSTOMER DRAWING	SCALE	N/A
			SHEET	1 OF 1
			REV	E

TE Connectivity

Mouser Electronics

Authorized Distributor

Click to View Pricing, Inventory, Delivery & Lifecycle Information:

[TE Connectivity:](#)

[1-1744416-2](#)