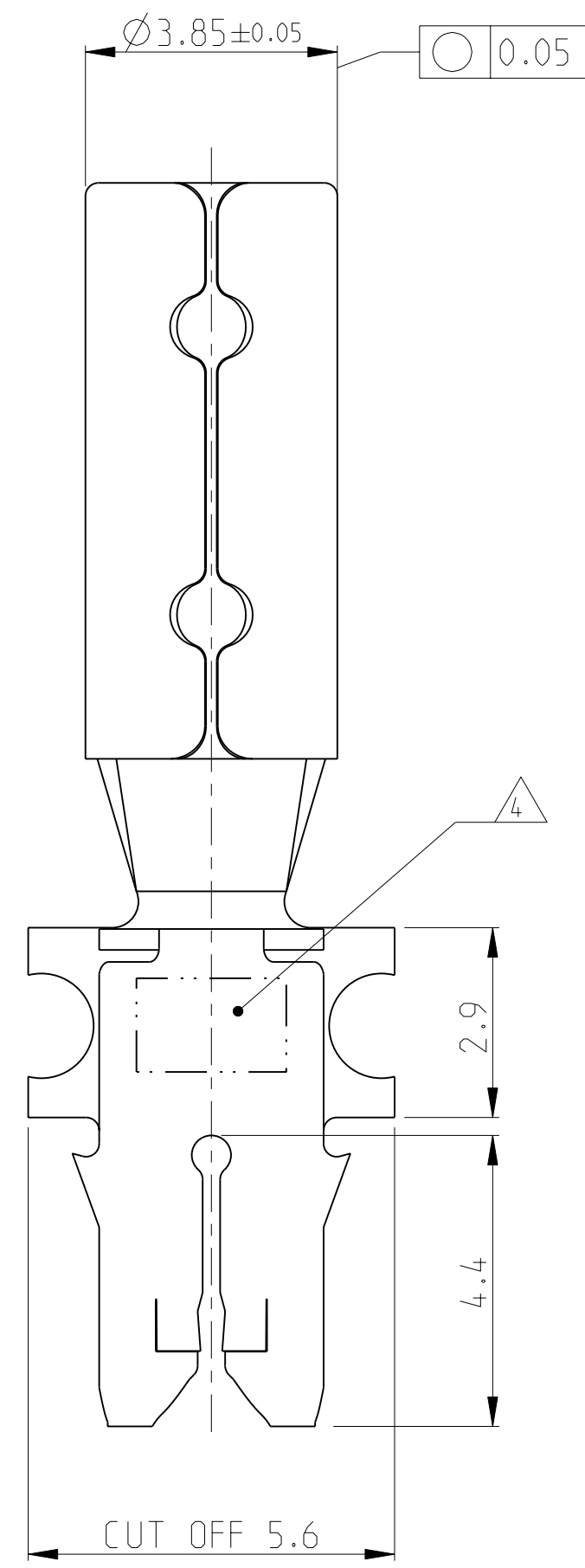
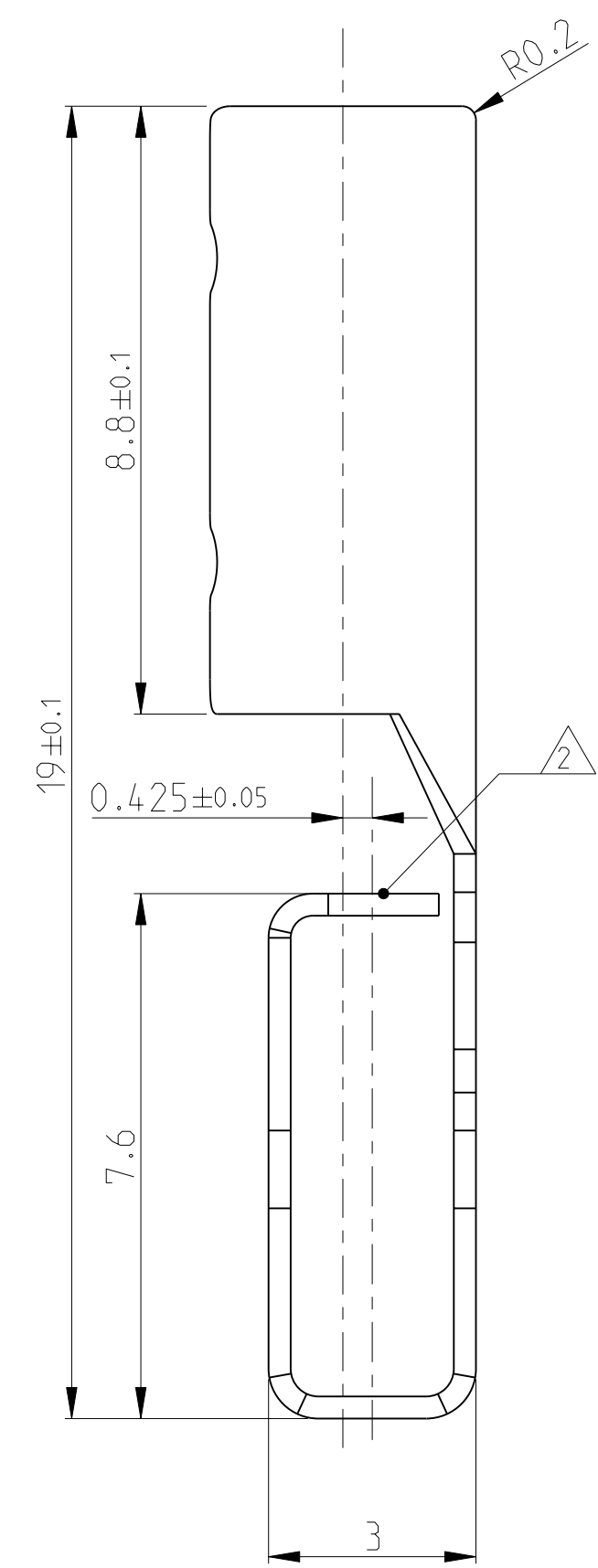
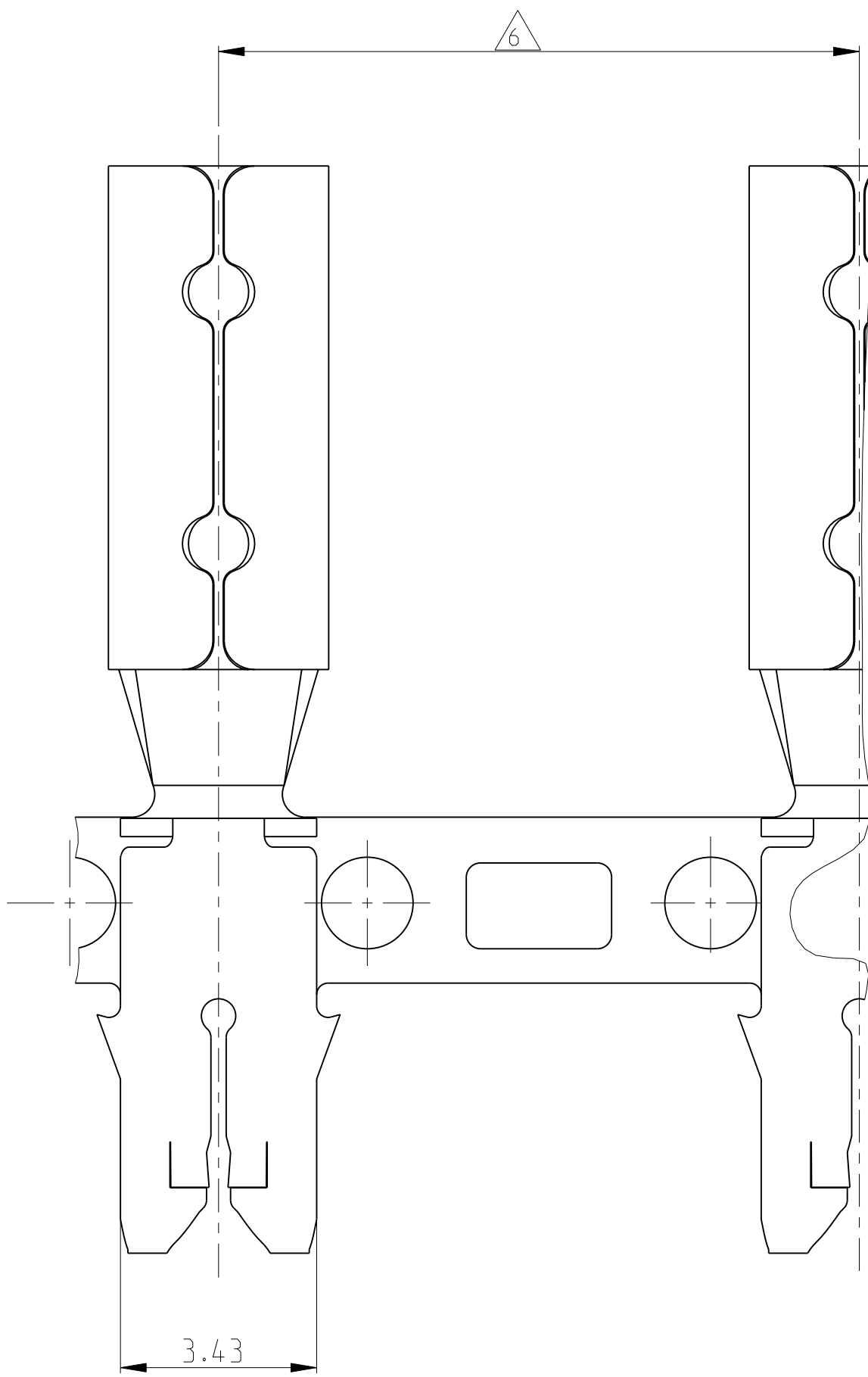
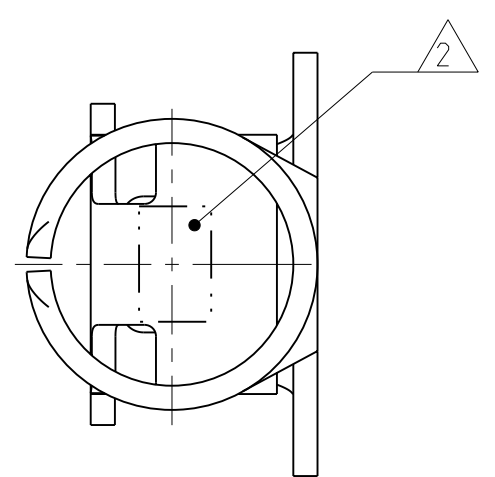


THIS DRAWING IS UNPUBLISHED. RELEASED FOR PUBLICATION 2011
 © COPYRIGHT 2011 ALL RIGHTS RESERVED.

LOC		DIST		REVISIONS			
P	LTR	DESCRIPTION	DATE	DWN	APVD		
	B	FIRST ISSUE	21OCT2011	PKS	RRP		



- 1 SLOT ACCEPTS SINGLE/ DOUBLE MAGNET WIRE (SEE TABLE FOR SIZE)
Schlitz geeignet fuer Lackdraht einfach/doppelt gemaess Tabelle
- 2 IDENTIFICATION NO. (SEE TABLE) FOR MAGNET WIRE RANGE
Kennziffer (siehe Tabelle) fuer Drahtgroessenbereich
- 3 Kontakt-Kammer nach TE Spec.411-18515
CAVITY ACCORDING TE SPEC.411-18515
- 4 Markenzeichnen TE
TRADE MARK TE
- 5 Materialdicke und -breite } 0.32±0.01 x 44±0.05
STOCK THICKNESS AND WIDTH
- 6 DIE FEED 11.2



10	Ø0.40-0.57mm	Ø0.40-0.57mm	BRASS	B	1740418-1
ID MARK	DOUBLE WIRE	SINGLE WIRE	MATERIAL	REV	PART NO
	WIRE RANGE 1				
THIS DRAWING IS A CONTROLLED DOCUMENT.			DWN SENTHIL 200CT2011 CHK SENTHIL 200CT2011 APVD RAJENDRA 21OCT2011 PRODUCT SPEC		
DIMENSIONS: mm		TOLERANCES UNLESS OTHERWISE SPECIFIED:		STE TE Connectivity NAME MAG MATE EDGE-LEFT CONTACT DIAMETER 3.8mm	
0 PLC ± 1 PLC ± 2 PLC ±0.2 3 PLC ± 4 PLC ± ANGLES ±° FINISH		APPLICATION SPEC 3 WEIGHT - CUSTOMER DRAWING		SIZE A2 CAGE CODE 00779 DRAWING NO C-1740418 RESTRICTED TO -	
MATERIAL SEE TABLE			SCALE 10:1 SHEET 1 OF 1 REV B		

Mouser Electronics

Authorized Distributor

Click to View Pricing, Inventory, Delivery & Lifecycle Information:

[TE Connectivity:](#)

[1740418-1](#)