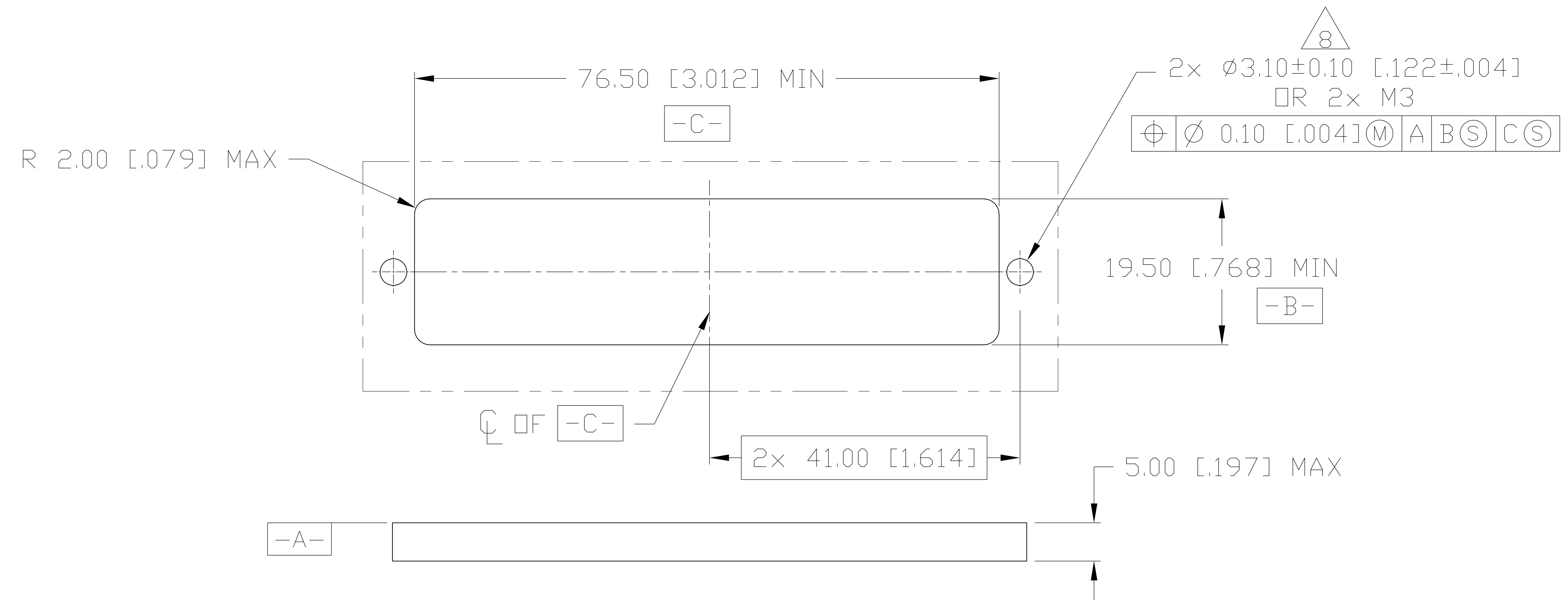
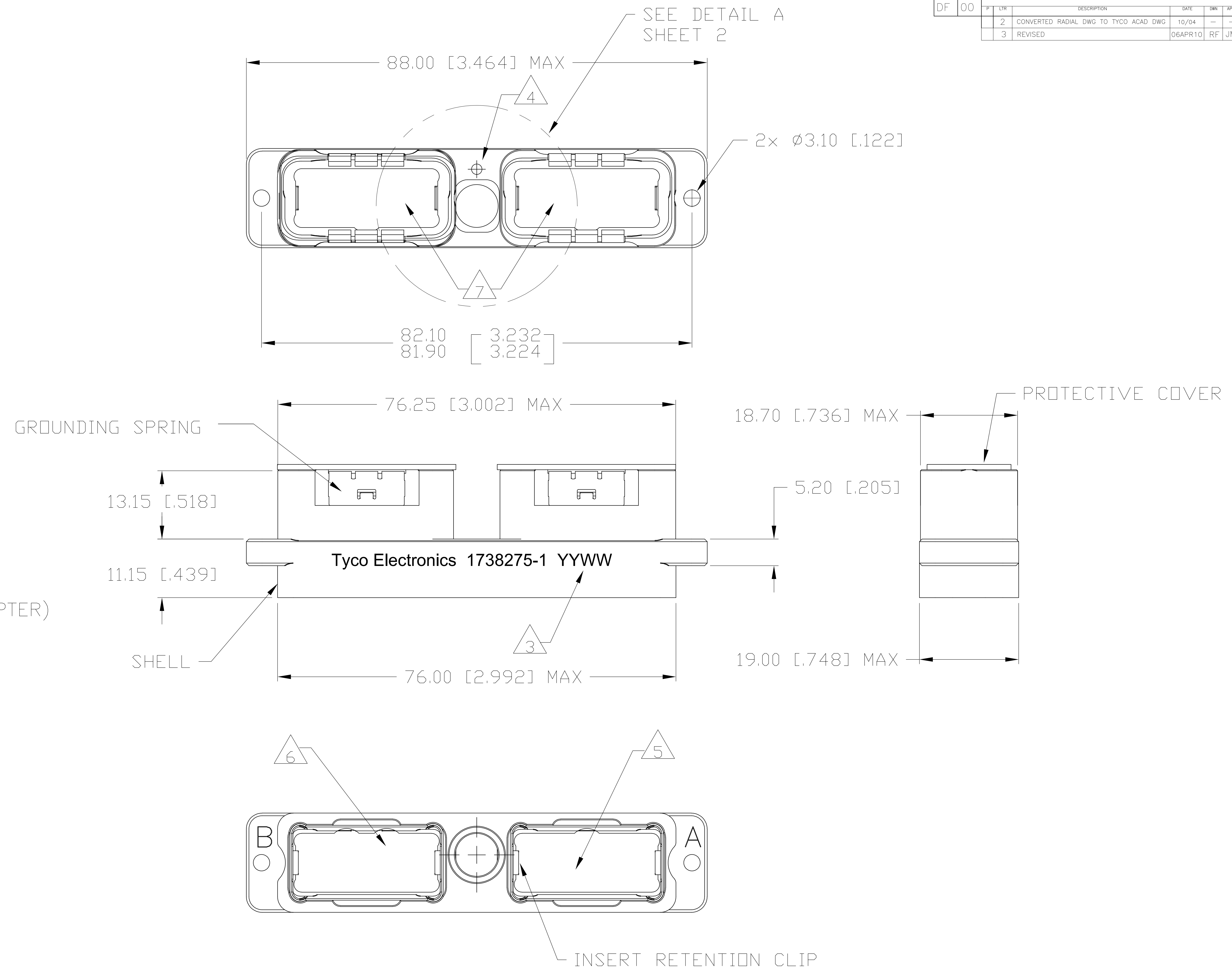


REVISIONS			
REV	DATE	BY	APP'D
2	10/04	—	—
3	06APR10	RF	JM

- 1 SHELL: ALUMINUM ALLOY 6061 T651  
 INSERT RETENTION CLIP & GROUNDING SPRING: COPPER ALLOY PER ASTM B194  
 JACKNUT: STAINLESS STEEL PER AISI 316  
 JACKNUT SPRING & RETAINING NUT: STAINLESS STEEL PER AISI 302  
 PROTECTIVE COVER: THERMOPLASTIC ELASTOMER
- 2 SHELL: ELECTROLESS NICKEL PER SAE AMS-C-26074, CLASS 1.  
 GROUNDING SPRING: ELECTROLYTIC NICKEL PER SAE AMS-QQ-N-290.
- 3 DATE CODE - YEAR & WEEK (YY WW)
- 4 INDEXING POINT FOR POLARIZATION
- 5 SHELL CAVITY FOR GPRB SERIES INSERTS WITH KEYING CODE A.
- 6 SHELL CAVITY FOR GPRB SERIES INSERTS WITH KEYING CODE B.
- 7 PROTECTIVE COVERS NOT SHOWN FOR CLARITY.
- 8 SCREW HEAD DIAMETER: 6.00 [.236] MAX.
- 9 THE JACKNUT AND RETAINING NUT ARE SHIPPED UNASSEMBLED.  
 THE CUSTOMER SHALL APPLY LOCTITE® PRODUCT 272 THREADLOCKING ADHESIVE  
 WHEN INSTALLING THESE ON THE SHELL ASSEMBLY. LOCTITE® IS A  
 REGISTERED TRADEMARK OF LOCTITE CORPORATION.
- 10 A SPANNER WRENCH TOOL, TYCO ELECTRONICS P/N 1738220-1 (WITH 1/4-in ADAPTER)  
 OR 1738221-1 (WITH T-HANDLE), IS USED TO LOCK THE RETAINING NUT.  
 RECOMMENDED LOCKING TORQUE: 1.5 N-m [13 in-lb].
- 11. PITCH FOR SIDE-BY-SIDE MOUNTING: 19.50 [.768] MIN.
- 12. DESCRIPTIVE PART NUMBER: GPRB2HD22N  
 SERIES: GPRB  
 SHELL SIZE: 2 (TWO-CAVITY SHELL)  
 SHELL STYLE: H (RECEPTACLE WITH GROUNDING SPRINGS)  
 MODIFICATION CODE: D (2x ø3.10mm THRU HOLES FOR PANEL MOUNTING)  
 LOCKING & POLARIZING DEVICE: 2 (JACKNUT)  
 POLARIZATION CODE: 2 (A-F JACKNUT HARDWARE SHIPPED UNASSEMBLED)  
 SHELL PLATING: N (NICKEL PLATING)
- 13. THIS PRODUCT IS SOLD BY TYCO ELECTRONICS UNDER A LICENSE FROM RADIALL SA.

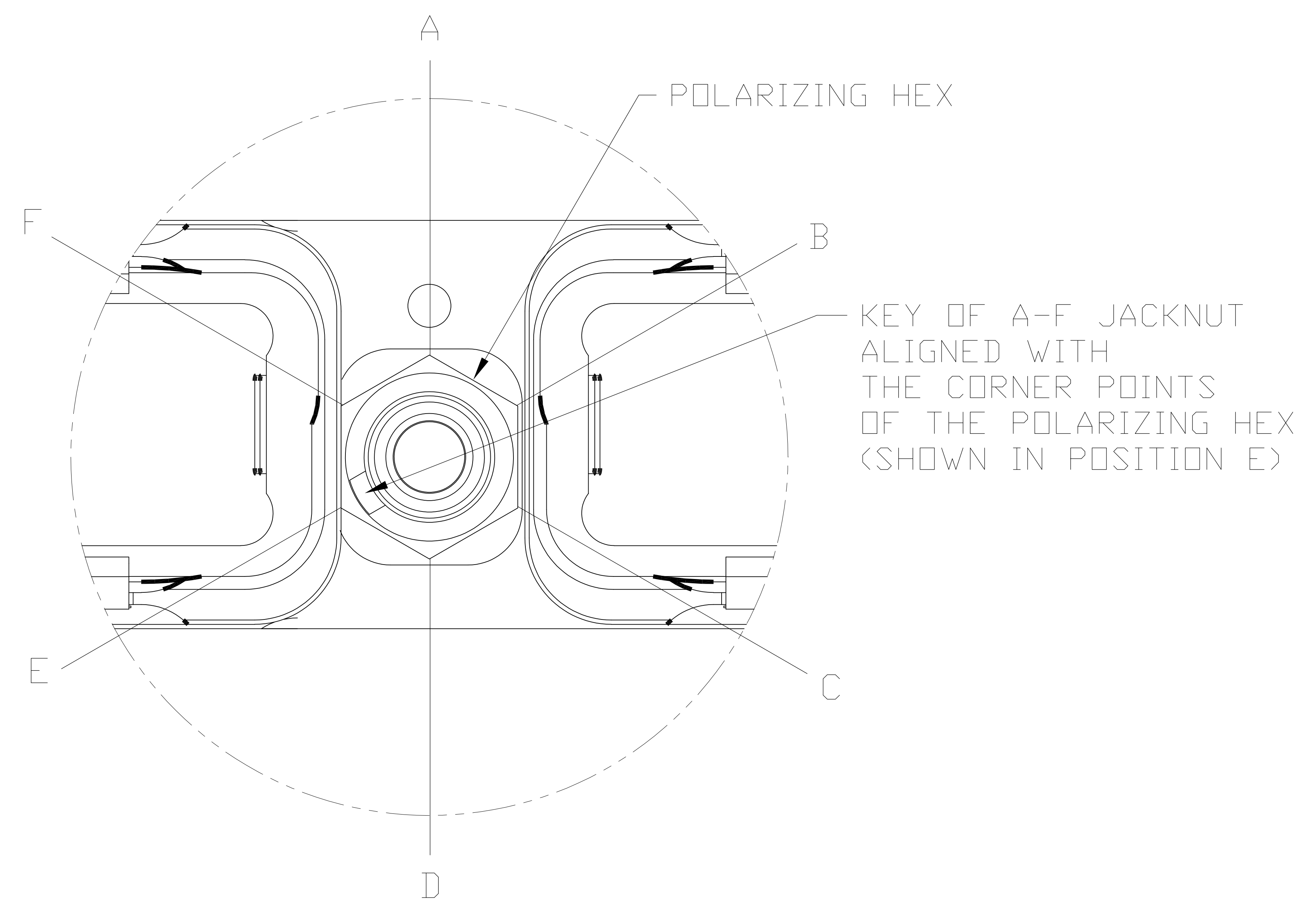
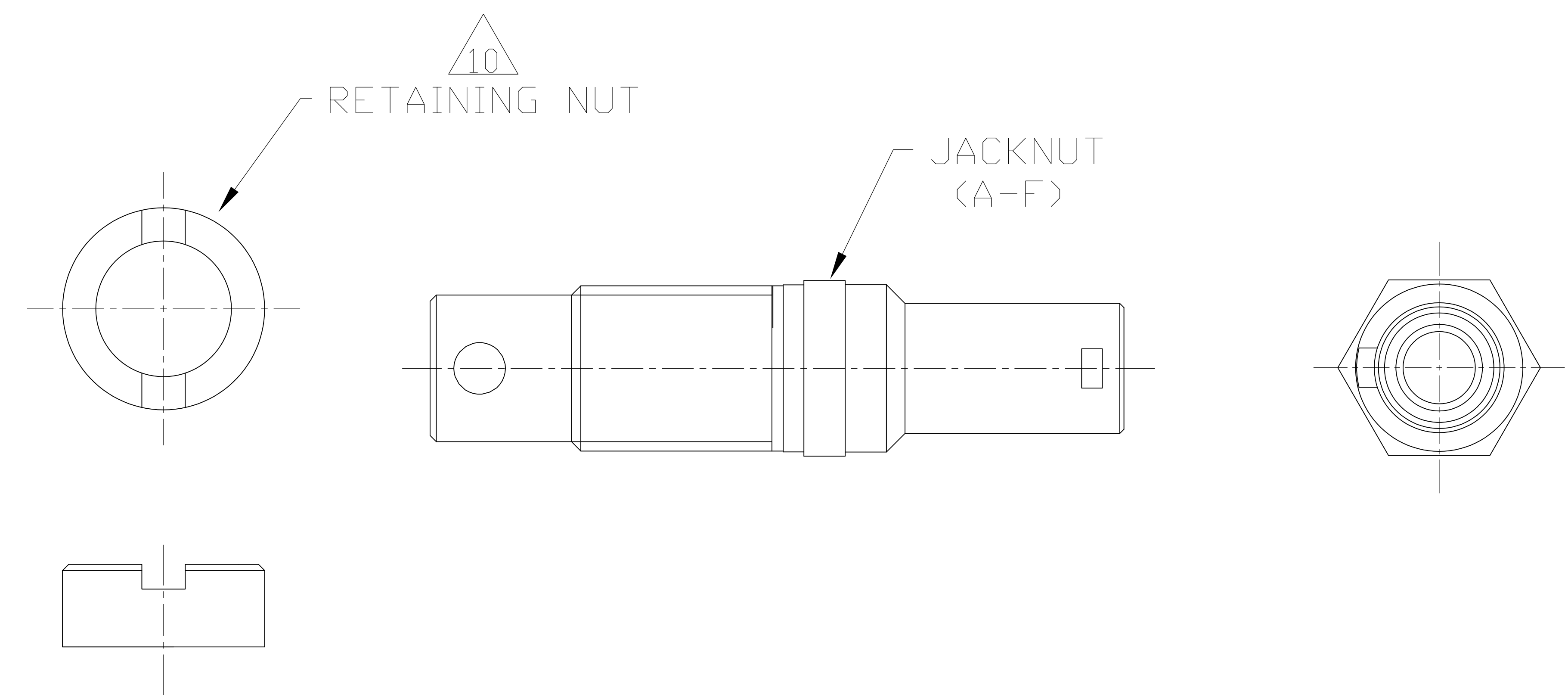


RECOMMENDED PANEL CUTOUT

THIS PRINT IS  
**PRELIMINARY**  
 UNQUALIFIED PRODUCT  
 CONTACT PRODUCT ENGINEERING  
 BEFORE USING THIS PRINT

1738275-1  
 PART NUMBER

THIS DRAWING IS A CONTROLLED DOCUMENT.		DATE: 06/14/10	REV: 3
DESIGNER: J. MOSIER	DATE: 06/14/10	APP'D: J. MOSIER	DATE: 06/14/10
PRODUCT SPEC: —	APPLICATION SPEC: —	WEIGHT: —	CUSTOMER DRAWING: —
MATERIAL: —	FINISH: —	SCALE: 1:1	SHEET 1 OF 2
Tyco Electronics Corporation Harrisburg, Pa 17105-3608		RECEPTACLE SHELL KIT, WITH TWO 3.10mm DIA MOUNTING HOLES, WITH A-F JACKNUT, GPRB2	
DRAWING NO: A000779		PART NUMBER: 1738275	


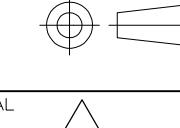
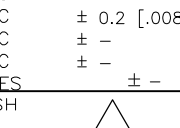


DETAIL A - JACKNUT KIT ASSEMBLED

JACKNUT KIT 

THIS PRINT IS  
**PRELIMINARY**  
UNQUALIFIED PRODUCT  
CONTACT PRODUCT ENGINEERING  
BEFORE USING THIS PRINT

1738275-1  
PART NUMBER

THIS DRAWING IS A CONTROLLED DOCUMENT.		REV: E. FLAGG	DATE: OCT04	 Tyco Electronics Corporation Harrisburg, Pa 17105-3608
DIMENSIONS: UNLESS OTHERWISE SPECIFIED: mm (INCHES)		DR: J. MOSIER	DATE: OCT04	
0. PLG	± .00	APR: J. MOSIER	DATE: OCT04	RECEPTACLE SHELL KIT, WITH TWO 3.10mm DIA MOUNTING HOLES, WITH A-F JACKNUT, GPRB2
1. PLG	± .00	PRODUCT SPEC		SIZE: 00779
2. PLG	± 0.2 (0.008)	APPLICATION SPEC		DRAWING NO: 1738275
3. PLG	± .00	WEIGHT		RESTRICTED TO
4. PLG	± .00	CUSTOMER DRAWING		SCALE: 1:1
MATERIAL: 	FINISH: 			SHEET 2 OF 2
				REV 3

# Mouser Electronics

Authorized Distributor

Click to View Pricing, Inventory, Delivery & Lifecycle Information:

[TE Connectivity:](#)

[1738275-1](#)