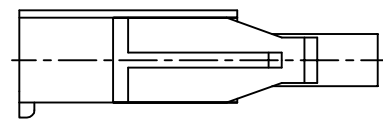
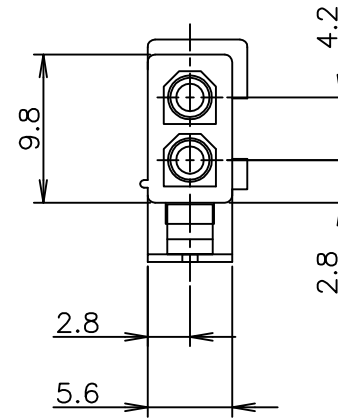
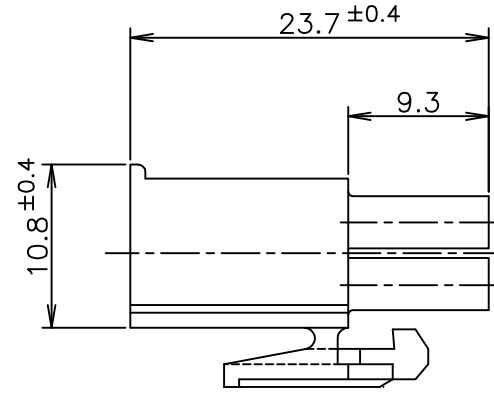
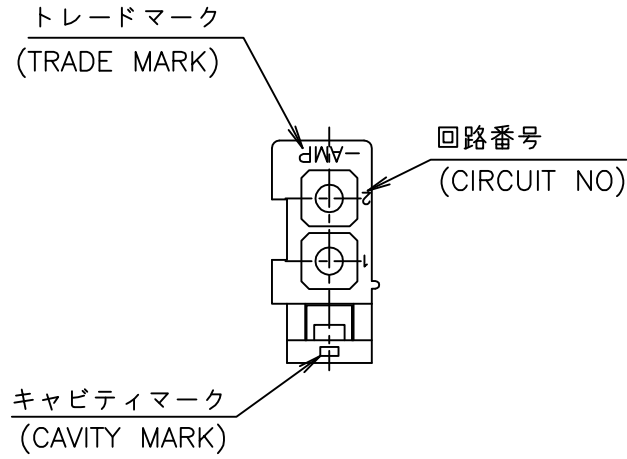


P	LTR	DESCRIPTION	DATE	DWN	APVD
	D2	REVISED PER ECR-16-010553	03AUG2017	BW	SG



黒 (BLACK)	1-172165-9
青 (BLUE)	1-172165-6
緑 (GREEN)	1-172165-5
赤 (RED)	1-172165-2
自然色 (NATURAL)	172165-1
色 (COLOR)	型番 (P/N)

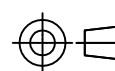
- 1 使用端子型番は 170359, 170360, 170361, 170362
- 2 嵌合相手ハウジング型番は 172157

- 1 APPLICABLE CONT P/N: 170359, 170360, 170361, 170362
- 2 MATING HSG P/N: 172157

THIS DRAWING IS A CONTROLLED DOCUMENT.

DIMENSIONS:
単位: 耗
mm

TOLERANCES UNLESS
OTHERWISE SPECIFIED:
一般公差



0-PLC	±
1-PLC	±
2-PLC	±
3-PLC	±
4-PLC	±
ANGLES	±

MATERIAL
材料
66 NYLON UL94V-0
66ナイロン UL94V-0

FINISH
仕上

INSTRUCTION SHEET
取扱説明書 IS-105J

WIRE RANGE
挿合電線断面積

INSULATION DIA
被覆外径

DWN N.YAMASAKI 08JUN1998

CHK M.SHINDO 15JUN1998

APVD M.SHINDO 15JUN1998

PRODUCT SPEC
製品規格 108-5138

APPLICATION SPEC
取付適用規格

WEIGHT

mm²

mm ϕ



NAME
名称 2 POS MINI UNIVERSAL MATE-N-LOK CONN.

PRODUCT SPEC
製品規格 108-5138

APPLICATION SPEC
取付適用規格

SIZE CAGE CODE DRAWING NO
A3 00779 C=172165

RESTRICTED TO

CUSTOMER DRAWING

SCALE
尺度 2:1

SHEET
1 OF 1

REV
D2

Mouser Electronics

Authorized Distributor

Click to View Pricing, Inventory, Delivery & Lifecycle Information:

[TE Connectivity:](#)

[172165-1](#)