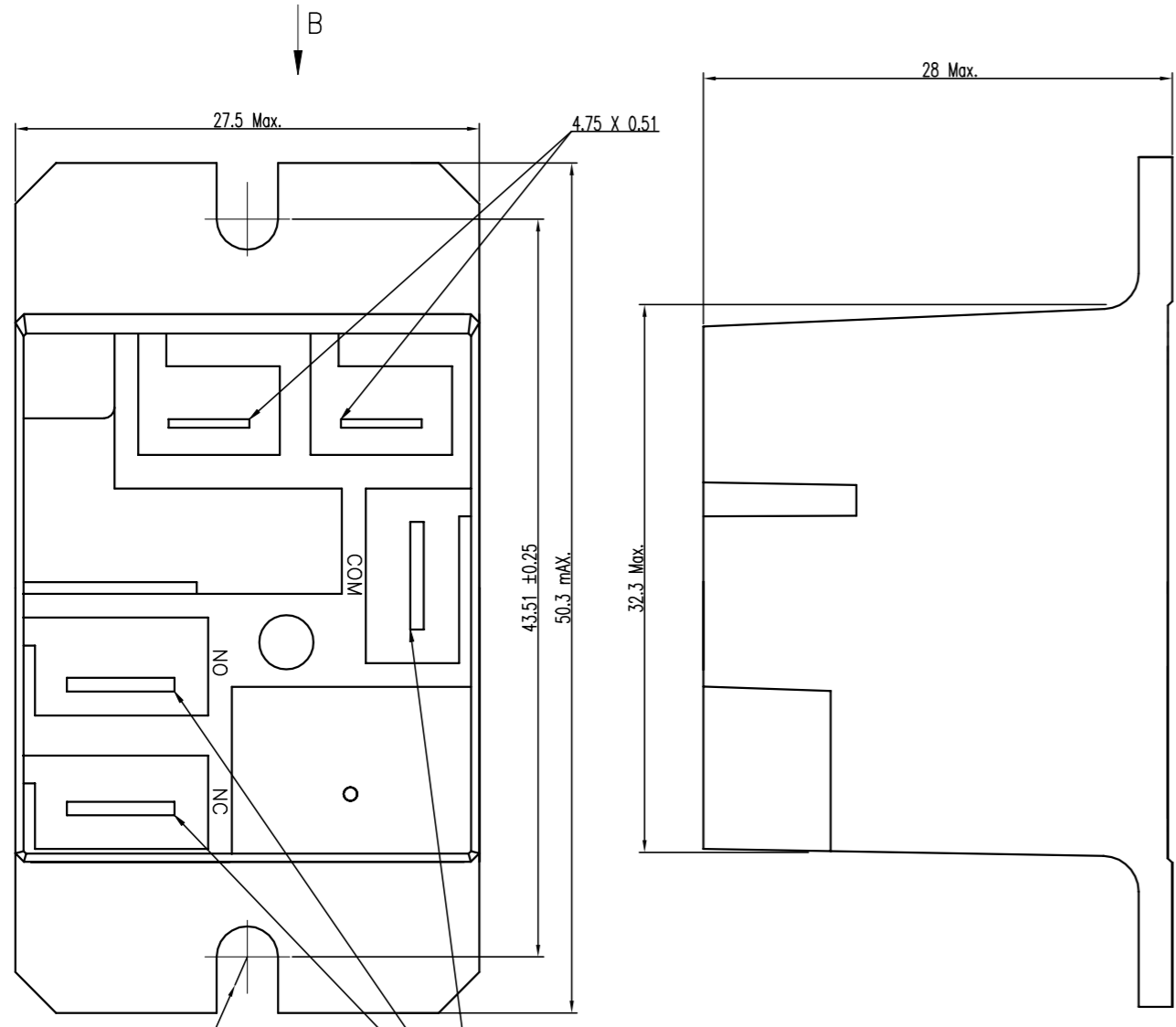


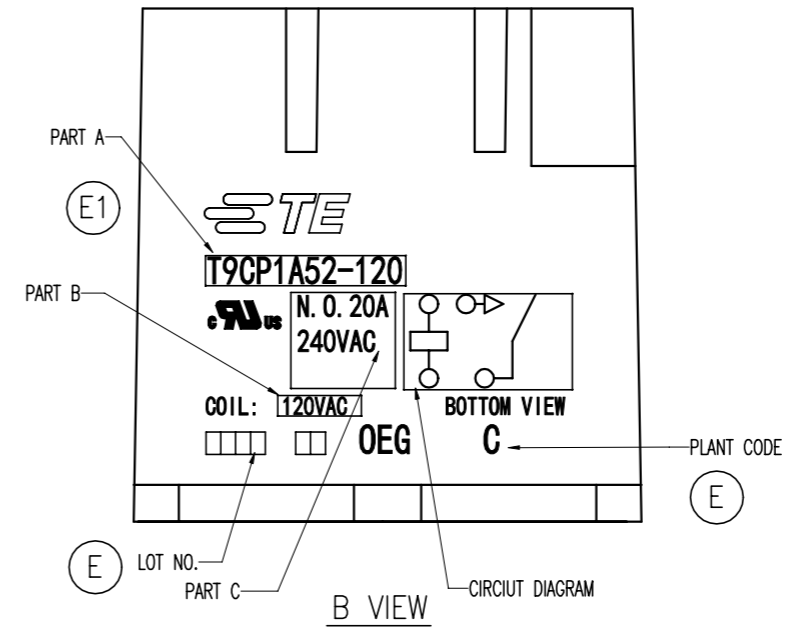
THIS DRAWING IS UNPUBLISHED. RELEASED FOR PUBLICATION
 © COPYRIGHT - By - ALL RIGHTS RESERVED.

REVISIONS				
P	LTR	DESCRIPTION	DATE	DWN APVD
	E1	LASER MARKING, ECO-20-010661	17AUG2020	HL.C XN.Z



FORM	PART NO	TE TYPE NAME	PART A	PART B
FORM B	2-1649341-5	T9CP2A54-120	T9CP2A54-120	120VAC
FORM B	2-1649341-4	T9CP2A54-240	T9CP2A54-240	240VAC
FORM C	2-1649341-0	T9CP5A54-240	T9CP5A54-240	240VAC
FORM C	1-1649341-9	T9CP5A54-120	T9CP5A54-120	120VAC
FORM C	1-1649341-7	T9CP5A54-24	T9CP5A54-24	24VAC
FORM C	1-1649341-5	T9CP5A52-240	T9CP5A52-240	240VAC
FORM C	1-1649341-4	T9CP5A52-120	T9CP5A52-120	120VAC
FORM C	1-1649341-2	T9CP5A52-24	T9CP5A52-24	24VAC
FORM C	1-1649341-1	T9CP5A52-12	T9CP5A52-12	12VAC
FORM A	1649341-2	T9CP1A54-240	T9CP1A54-240	240VAC
FORM A	1-1649341-0	T9CP1A54-120	T9CP1A54-120	120VAC
FORM A	1649341-8	T9CP1A54-24	T9CP1A54-24	24VAC
FORM A	1649341-6	T9CP1A52-240	T9CP1A52-240	240VAC
FORM A	1649341-5	T9CP1A52-120	T9CP1A52-120	120VAC
FORM C	2071170-2	T9CP5A52-277-01	T9CP5A52-277-01	277VAC
FORM C	2071170-4	T9CP5A52-120-01	T9CP5A52-120-01	120VAC
FORM C	2071170-5	T9CP5A52-240-02	T9CP5A52-240-02	240VAC

CONTACT FORM	PART C	CIRCUIT DIAGRAM
FORM A	N.O. 20A 240VAC	
FORM C	N.O. 20A N.C. 10A 240VAC	
FORM B	N.C. 10A 240VAC	



NOTE:

1. LOT NO. DESCRIPTION:

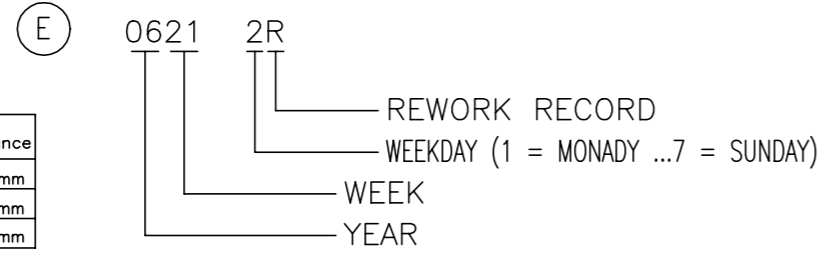


Diagram dimension	Tolerance
0.99mm max.	±0.1mm
1 - 2.99mm	±0.2mm
3mm min.	±0.3mm

THIS DRAWING IS A CONTROLLED DOCUMENT.		DWN	XN.ZHANG	TE Connectivity	
DIMENSIONS: mm		CHK	ANTHONY.YIP	NAME	
TOLERANCES UNLESS OTHERWISE SPECIFIED:		APVD	CH.HSU	PRODUCT SPEC	
0 PLC ± - 1 PLC ± - 2 PLC ± - 3 PLC ± - 4 PLC ± - ANGLES ± -		APPLICATION SPEC		T9C AC TYPE CUSTOMER DRAWING	
MATERIAL	FINISH	WEIGHT	SIZE		RESTRICTED TO
-	-	-	A3 00779 C=1649341		-
CUSTOMER DRAWING			SCALE	SHEET	REV
			5:2	1 OF 1	E1

Mouser Electronics

Authorized Distributor

Click to View Pricing, Inventory, Delivery & Lifecycle Information:

[TE Connectivity:](#)

[1-1649341-0](#)