

REV	DESCRIPTION	DATE	APPROVED
F 2/17/98	REBRAMN. ADDED *SILASTIC SEALED* TO CONSTRUCTION	92/01/10	KM
G 3/11/95	FIND NO 10 ADDED	96/10/14	RS
H 0885-04	FIND NO 3 WAS 41695-001; REMOVED FIND NO 10	04/08/30	CS

REVISIONS

RELEASED 8-27-81

GASKET SEALED, SILASTIC SEALED



SPST N.O.
28 VDC
200 AMP
800 AMP

CONSTRUCTION

MAIN CONTACTS
CONFIGURATION
VOLTAGE (NOM.)
CURRENT RES.
INRUSH

COIL DATA

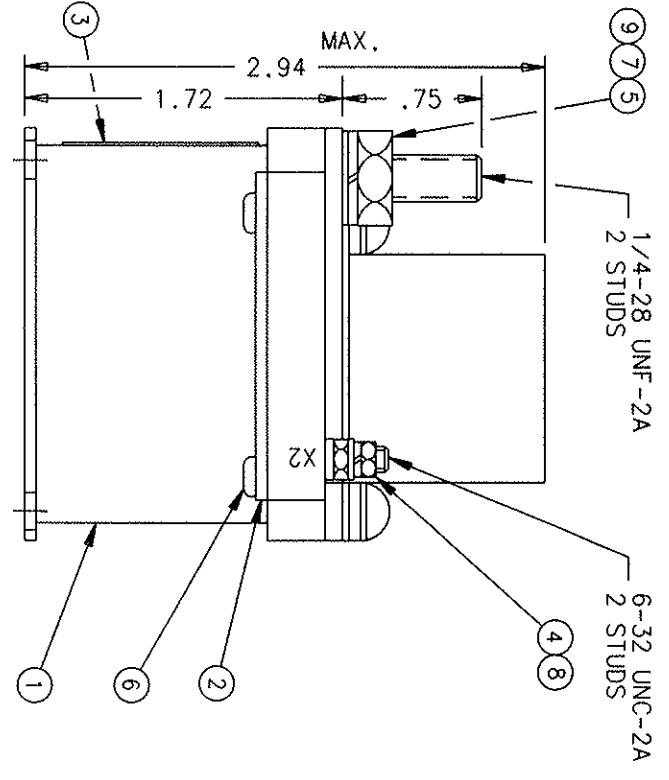
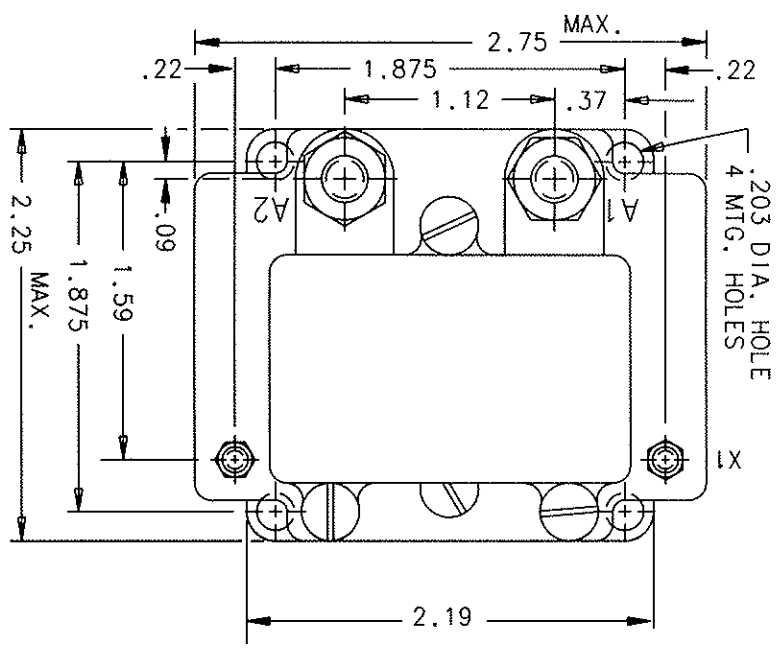
MAX OPERATE
MIN OPERATE
PICKUP AT 25Ω
DROPOUT
RES AT 25Ω
DUTY CYCLE

ENVIRONMENTAL DATA

AMBIENT TEMP
LIFE ELECTRICAL
LIFE MECHANICAL
WEIGHT MAX (EST)

-55°C TO + 71°C
50,000 CYCLES MIN
100,000 CYCLES MIN
1 LB 8 OZ

NOTE:
THIS UNIT MEETS THE MATERIALS AND WORKMANSHIP
REQUIREMENTS OF MIL-R-6106



NO	QTY	PART OR IDENTIFYING NO	NOMENCLATURE OR DESCRIPTION	FSD NO	DRAWING OR SPECIFICATION	MATERIAL OR NOTE
10	2	51807-034	WASHER-LOCK-No. 1/4 SPLIT			BRONZE
9	2	51806-014	WASHER-LOCK-No. 6 SPLIT			BRONZE
8	2	51703-064	SCREW-FLAT-1/2 X 17/64 X.032			BRASS
7	2	51200-020	SCREW-No. 4 X 1/4 PAN HD.			STAINLESS STEEL
6	4	50407-364	NUT-1/4-28 X 7/16 X 3/16 HEX			BRASS
5	2	50406-034	NUT-6-32 X 1/4 X 5/64 HEX			BRASS
4	2	47618-007	PLATE-NAME			
3	1	34290-001	PLATE - COVER			
2	2	32659-060	CONTACTOR ASSEMBLY - PRI.			
1	1					



28 Hartman Division, 175 N. Diamond Street, Mansfield, Ohio 44902

CONTACTOR - S.P.S.T. N.O.
200 AMP, 28 VDC

DWG NO. A-1077G
REF TYCO P/N 0-1616055-5

UNLESS OTHERWISE SPECIFIED
DIMENSIONS ARE IN INCHES
TOLERANCES ON

2 PL DEC. 13 PL DEC. ANGLES
* .06 * .010 * * 1 *

DR BY RLS 196/10/28
CHK BY RS 196/10/28
ENGR DM 196/10/31
MFG JH 196/10/30
SIZE CODE IDENT
C 74063
SCALE 1/1 SHEET

Mouser Electronics

Authorized Distributor

Click to View Pricing, Inventory, Delivery & Lifecycle Information:

[TE Connectivity:](#)

[1616055-5](#)