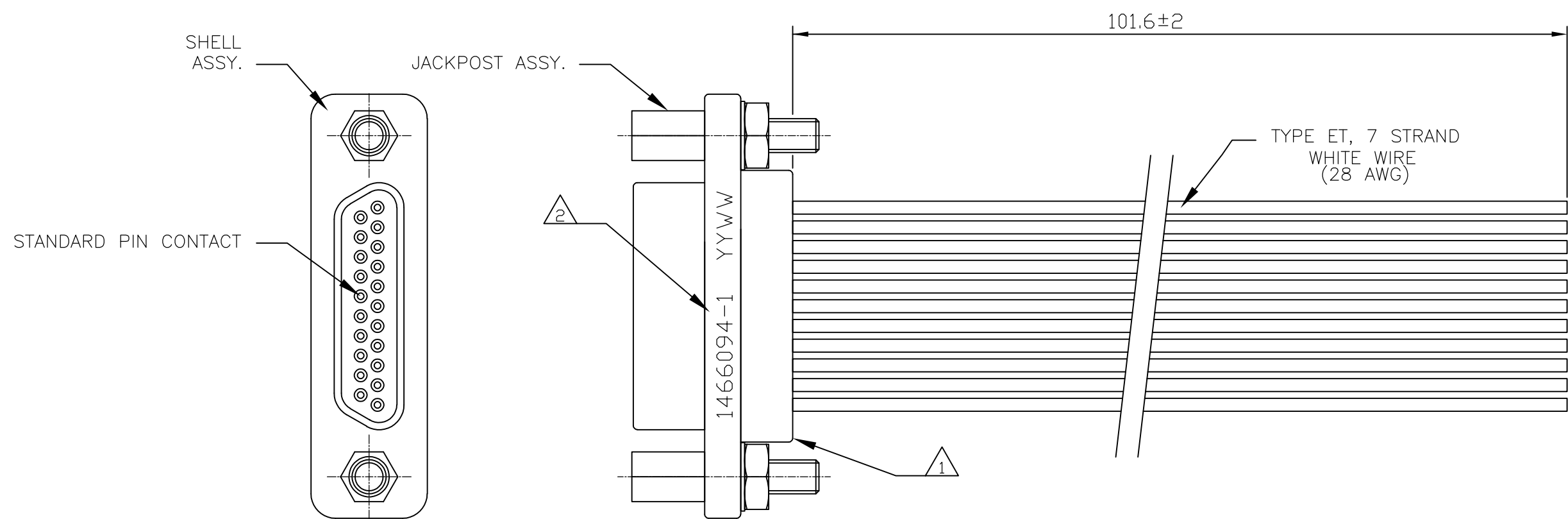


THIS DRAWING IS UNPUBLISHED. RELEASED FOR PUBLICATION
 © COPYRIGHT BY TYCO ELECTRONICS CORPORATION. ALL INTERNATIONAL RIGHTS RESERVED.

LOC	DIST	REVISIONS			
P	LTR	DESCRIPTION	DATE	DWN	APVD
—	—	A	NEW DRAWN	5/2/08	NH KS



- △ 1 POTTING LEVEL TO NOT EXCEED BEYOND SHELL
- △ 2 INKMARK IN ORIENTATION AND POSITION SHOWN WITH TE P/N AND DATE CODE

1466094-1	MCK-N1-P-21P8B1-4.0
TE PART NO.	DESCRIPTION

THIS DRAWING IS A CONTROLLED DOCUMENT.		DWN 05FEB2008 NIRANJAN HEGDE	Tyco Electronics Corporation ADM, Bangalore, INDIA	
DIMENSIONS: mm		CHK 05FEB2008 SHIVAPRAKASH K R		
TOLERANCES UNLESS OTHERWISE SPECIFIED:		APVD 05FEB2008 KARTHIK S	NAME METAL SHELL - 21 PIN 4 INCH WHITE WIRE WITH HARDWARE	
0 PLC ± - 1 PLC ± - 2 PLC ± - 3 PLC ± - 4 PLC ± - ANGLES ± -		PRODUCT SPEC —	SIZE A3	
MATERIAL —		FINISH —	CAGE CODE 00779	DRAWING NO C-1466094
		WEIGHT —	RESTRICTED TO —	
CUSTOMER DRAWING			SCALE NTS	SHEET 1 OF 1
			REV A	

Mouser Electronics

Authorized Distributor

Click to View Pricing, Inventory, Delivery & Lifecycle Information:

[TE Connectivity:](#)

[1466094-1](#)