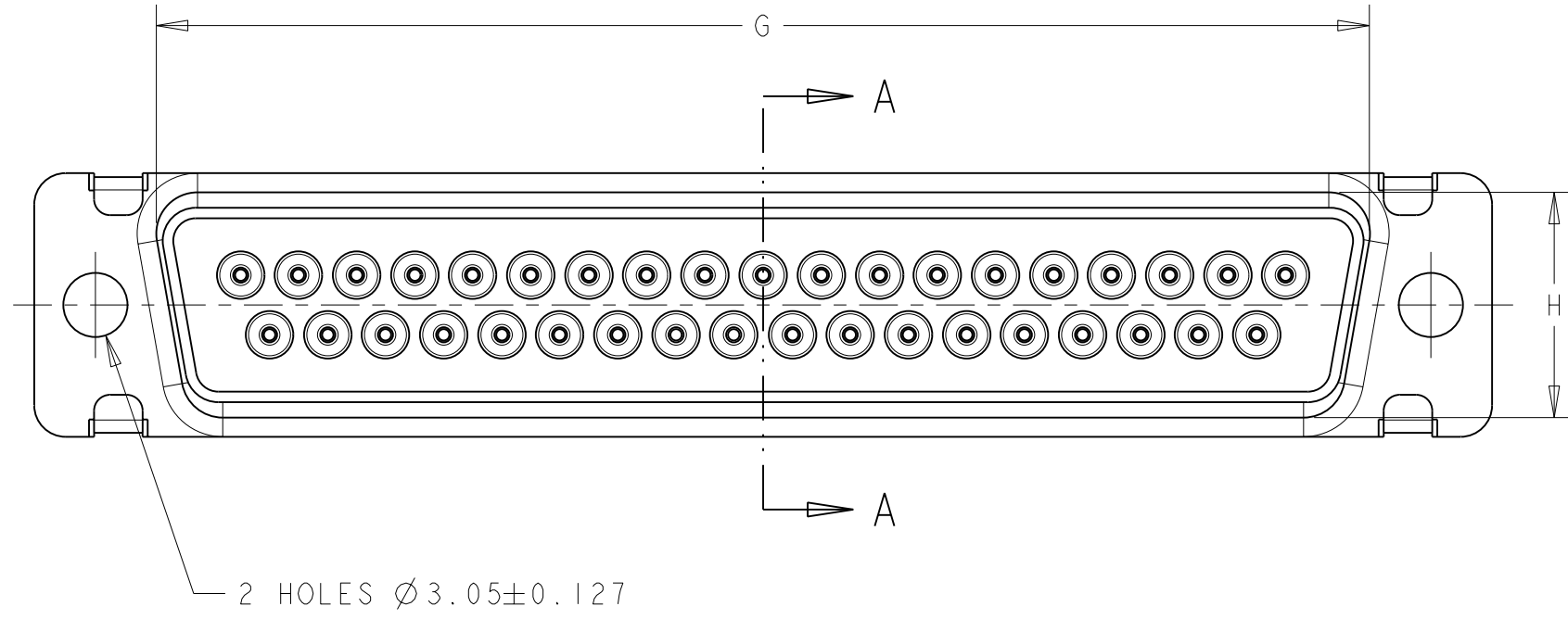
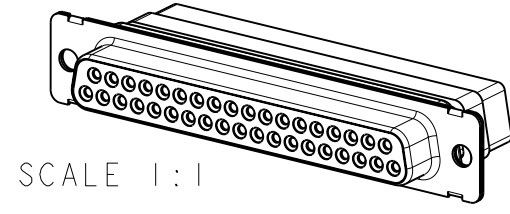
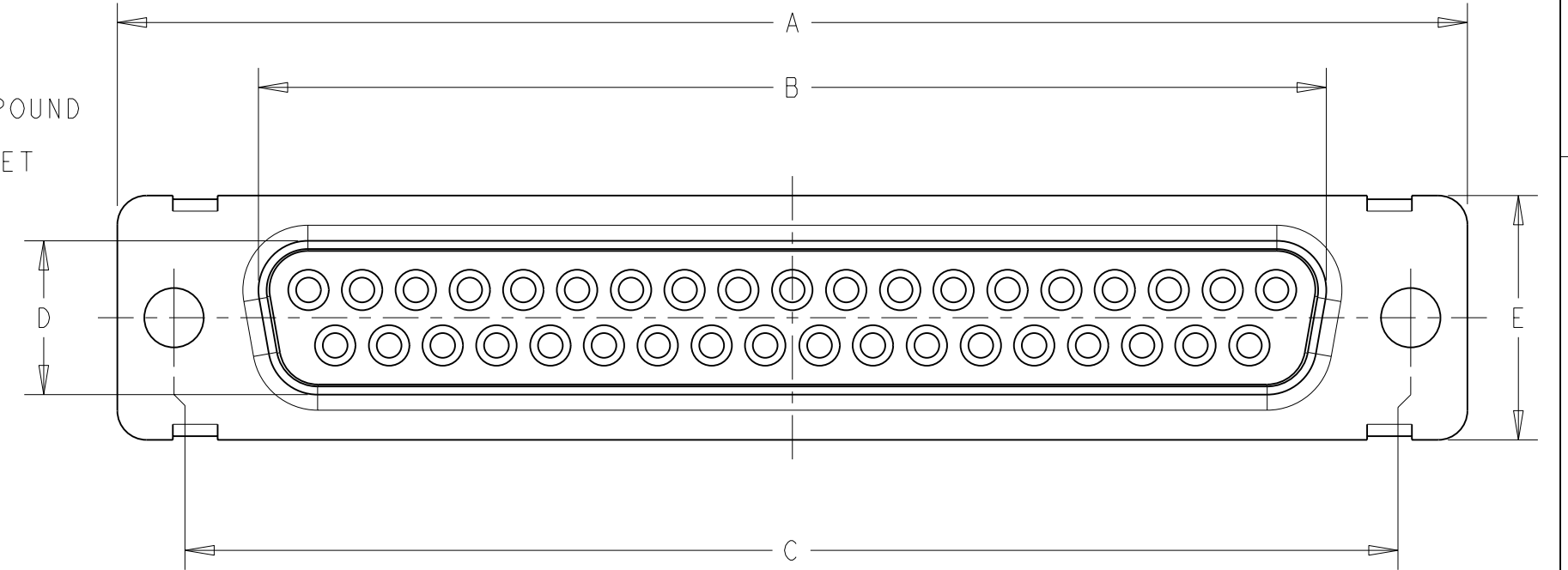
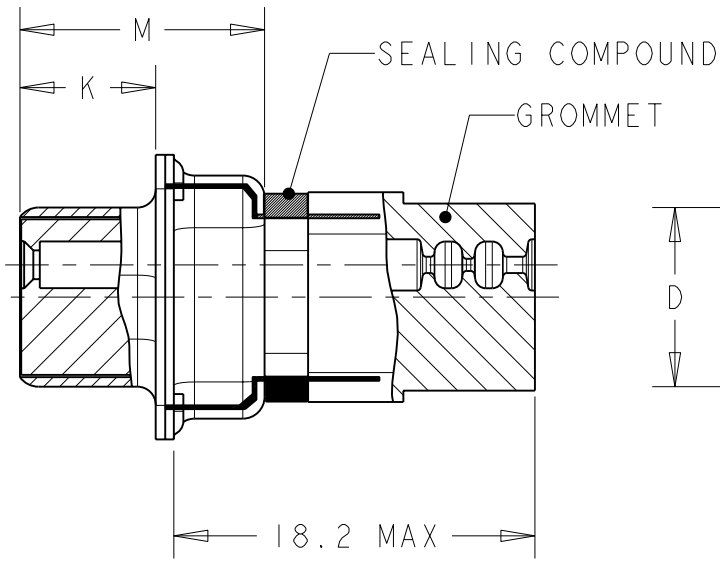


LOC	DIST	REVISIONS			
P	LTR	DESCRIPTION	DATE	DWN	APVD
F	00	C	CLARIFICATIONS	23APR2009	JT YP
		D	CHANGE FORMAT AND MODIF NOTE 5	28OCT2011	JT YP

# RECEPTACLE-MDE TYPE



## SECTION A-A



10.90	6.17	55.32	13.56	15.37	10.74	61.11	52.43	66.93	RECEPTACLE	50	5	MDE308G-50S2-001	2-135787-0
10.90	6.17	57.71	10.72	12.55	7.90	63.50	54.84	69.32	RECEPTACLE	37	4	MDE308G-37S2-001	1-135787-8
10.90	6.17	41.30	10.72	12.55	7.90	47.04	38.38	53.04	RECEPTACLE	25	3	MDE308G-25S2-001	1-135787-6
10.90	6.17	27.51	10.72	12.55	7.90	33.32	24.66	39.14	RECEPTACLE	15	2	MDE308G-15S2-001	1-135787-4
10.90	6.17	19.28	10.72	12.55	7.90	24.99	16.33	30.81	RECEPTACLE	09	1	MDE308G-9S2-001	1-135787-2
10.90	6.17	55.32	13.56	15.37	10.74	61.11	52.43	66.93	RECEPTACLE WITH SOCKET CONTACTS	50	5	MDE308G-50S2	1-135787-0
10.90	6.17	57.71	10.72	12.55	7.90	63.50	54.84	69.32	RECEPTACLE WITH SOCKET CONTACTS	37	4	MDE308G-37S2	135787-8
10.90	6.17	41.30	10.72	12.55	7.90	47.04	38.38	53.04	RECEPTACLE WITH SOCKET CONTACTS	25	3	MDE308G-25S2	135787-6
10.90	6.17	27.51	10.72	12.55	7.90	33.32	24.66	39.14	RECEPTACLE WITH SOCKET CONTACTS	15	2	MDE308G-15S2	135787-4
10.90	6.17	19.28	10.72	12.55	7.90	24.99	16.33	30.81	RECEPTACLE WITH SOCKET CONTACTS	09	1	MDE308G-9S2	135787-2
M±0.25	K±0.13	G±0.25	H±0.25	E±0.38	D±0.13	C±0.13	B±0.13	A±0.38	DESCRIPTION	NB POS.	SIZE	OLD P/N	P/N 2
												STANDARD MOUNT	

SEE NOTES ON LAST SHEET

THIS DRAWING IS A CONTROLLED DOCUMENT.

DWN BUON B. 17NOV1998  
 CHK LOUDIEUX G. 17NOV1998  
 APVD FURIO M. 17NOV1998

**STE** TE Connectivity

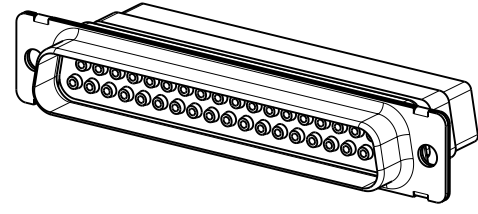
NAME SEALED SUB D CONNECTOR  
 MDE - SERIES

SIZE A2 CAGE CODE 00779 DRAWING NO C-135787 RESTRICTED TO -

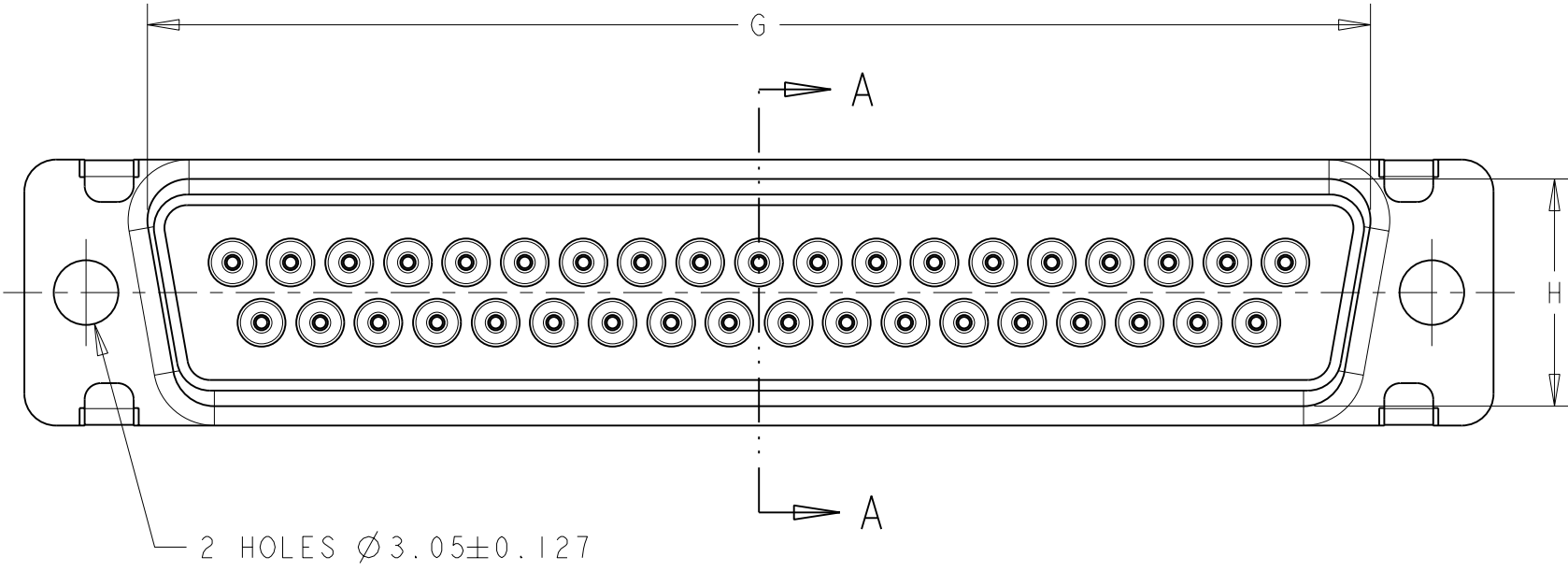
NOTE 3 NOTE 4 CUSTOMER DRAWING SCALE 2:1 SHEET 1 OF 7 REV D

LOC	DIST	REVISIONS					
F	00	P	LTR	DESCRIPTION	DATE	DWN	APVD
		-		SEE SHEET 1			

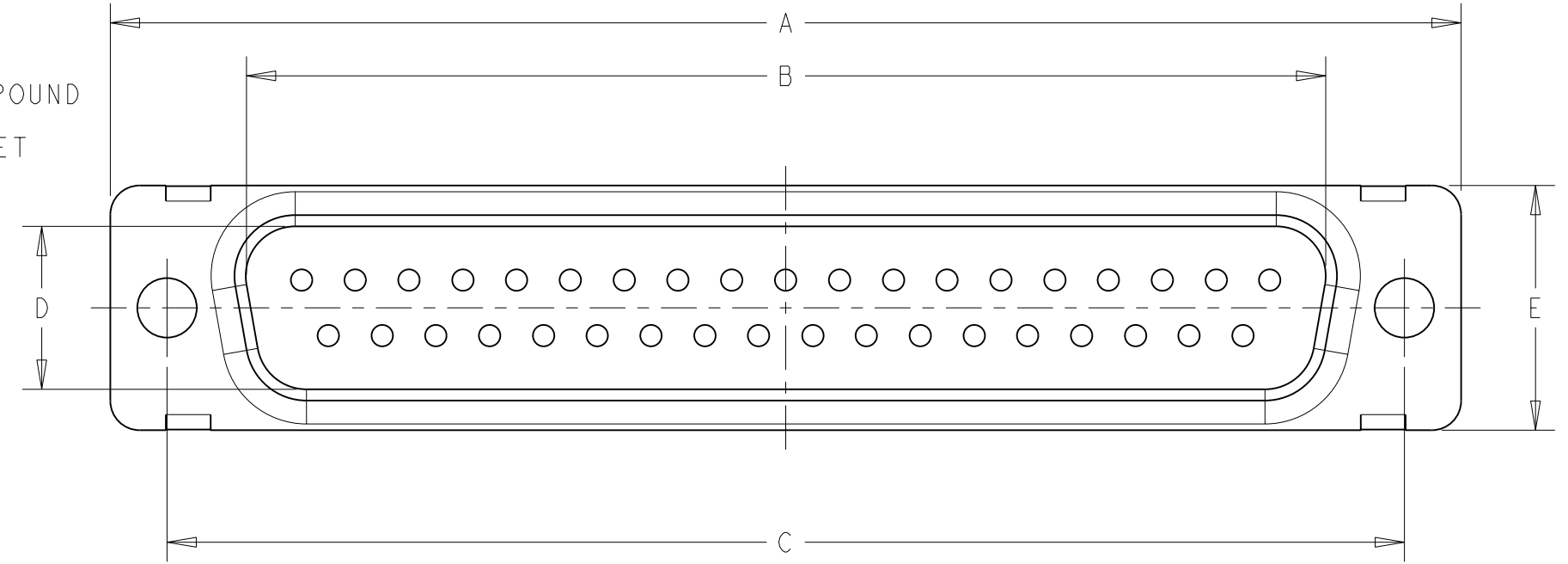
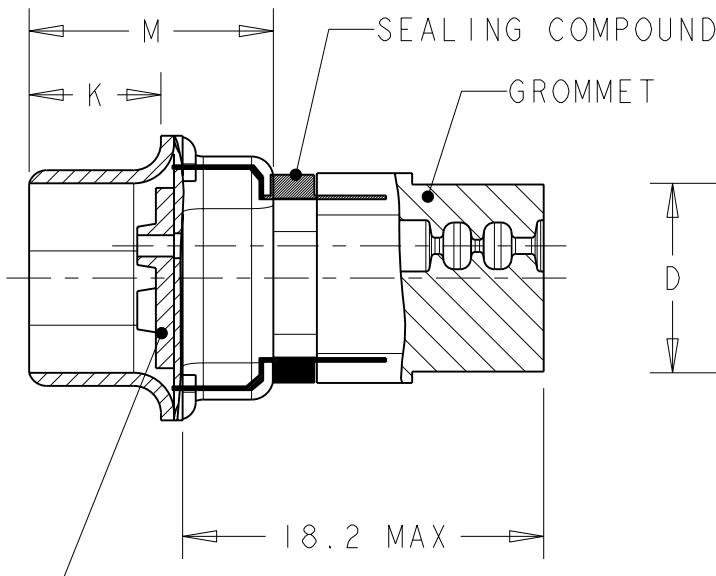
# PLUG-MDE TYPE



SCALE 1:1



## SECTION A - A



10.82	5.84	55.32	13.56	15.37	11.20	61.11	52.81	66.93	PLUG	50	5	MDE308G-50P2-001	I-135787-9
10.82	5.84	57.71	10.72	12.55	8.36	63.50	55.42	69.32	PLUG	37	4	MDE308G-37P2-001	I-135787-7
10.82	5.84	41.30	10.72	12.55	8.36	47.04	38.96	53.04	PLUG	25	3	MDE308G-25P2-001	I-135787-5
10.72	5.97	27.51	10.72	12.55	8.36	33.32	25.25	39.14	PLUG	15	2	MDE308G-15P2-001	I-135787-3
10.72	5.97	19.28	10.72	12.55	8.36	24.99	16.92	30.81	PLUG	09	1	MDE308G-9P2-001	I-135787-1
10.82	5.84	55.32	13.56	15.37	11.20	61.11	52.81	66.93	PLUG WITH PIN CONTACTS	50	5	MDE308G-50P2	I35787-9
10.82	5.84	57.71	10.72	12.55	8.36	63.50	55.42	69.32	PLUG WITH PIN CONTACTS	37	4	MDE308G-37P2	I35787-7
10.82	5.84	41.30	10.72	12.55	8.36	47.04	38.96	53.04	PLUG WITH PIN CONTACTS	25	3	MDE308G-25P2	I35787-5
10.72	5.97	27.51	10.72	12.55	8.36	33.32	25.25	39.14	PLUG WITH PIN CONTACTS	15	2	MDE308G-15P2	I35787-3
10.72	5.97	19.28	10.72	12.55	8.36	24.99	16.92	30.81	PLUG WITH PIN CONTACTS	09	1	MDE308G-9P2	I35787-1
M±0.25	K±0.13	G±0.25	H±0.25	E±0.38	D±0.13	C±0.13	B±0.13	A±0.38	DESCRIPTION	Nb POS.	SIZE	OLD P/N	P/N 2
										STANDARD MOUNT			

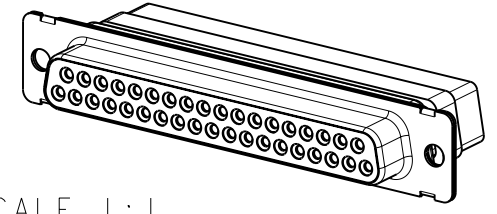
SEE NOTES ON LAST SHEET

THIS DRAWING IS A CONTROLLED DOCUMENT.		DWN BUON B. 17NOV1998	TE Connectivity
DIMENSIONS: mm		CHK LOUDIEUX G. 17NOV1998	
TOLERANCES UNLESS OTHERWISE SPECIFIED:		APVD FURIO M. 17NOV1998	
0 PLC ±0.13 1 PLC ±0.13 2 PLC ±0.13 3 PLC ± 4 PLC ± ANGLES ±1 FINISH		NAME SEALED SUB D CONNECTOR MDE - SERIES SIZE CAGE CODE DRAWING NO RESTRICTED TO A200779 C-135787 - - WEIGHT CUSTOMER DRAWING SCALE 2:1 SHEET 2 OF 7 REV D	
MATERIAL	NOTE 3	NOTE 4	

THIS DRAWING IS UNPUBLISHED. RELEASED FOR PUBLICATION 20  
 © COPYRIGHT 20 Tyco Electronics AMP GmbH ALL RIGHTS RESERVED.

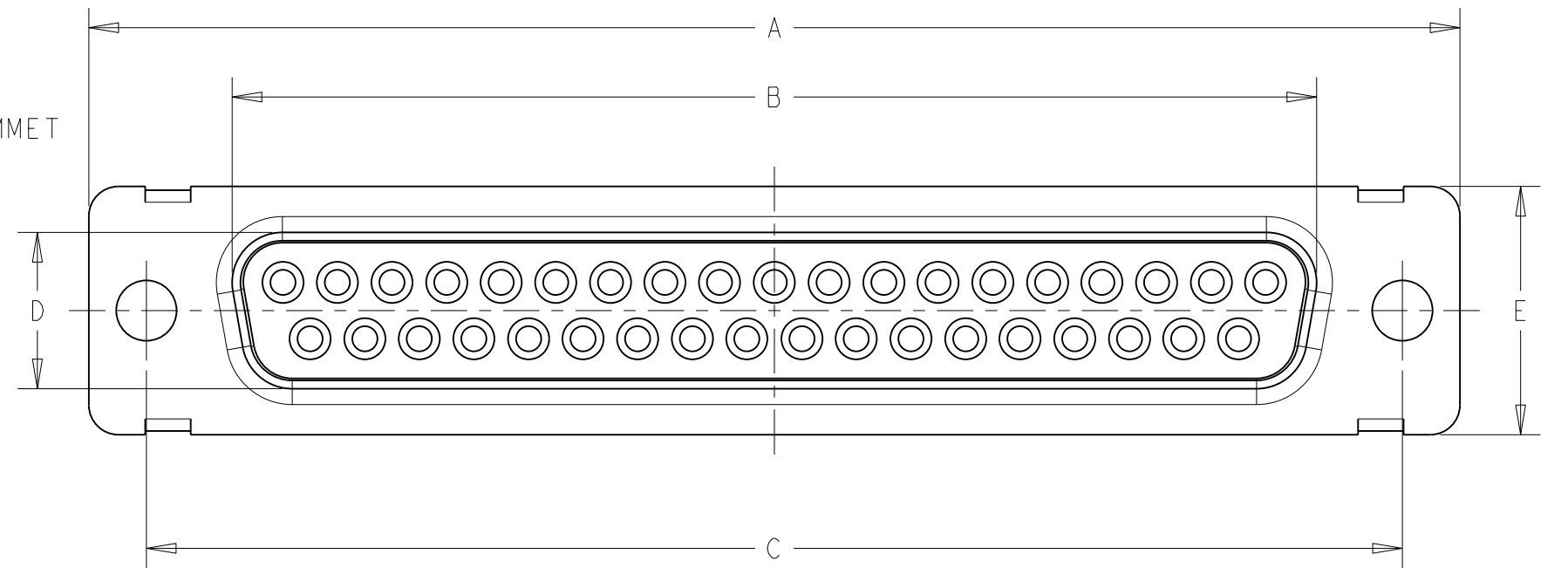
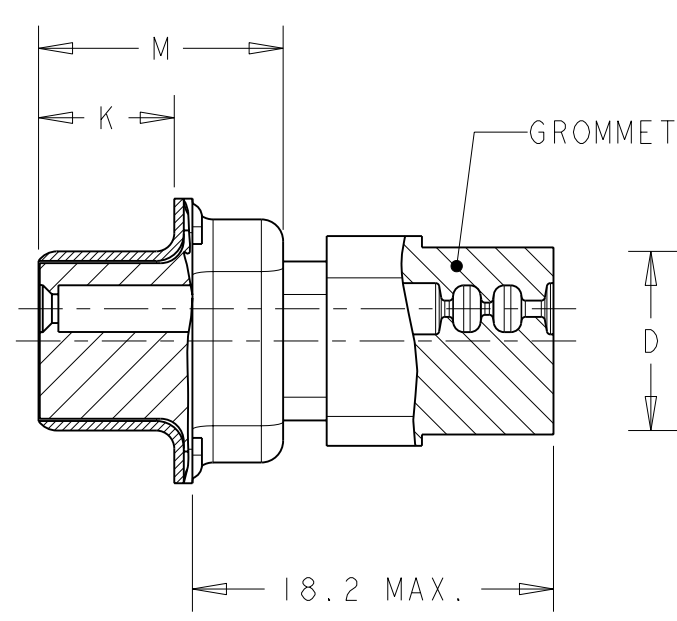
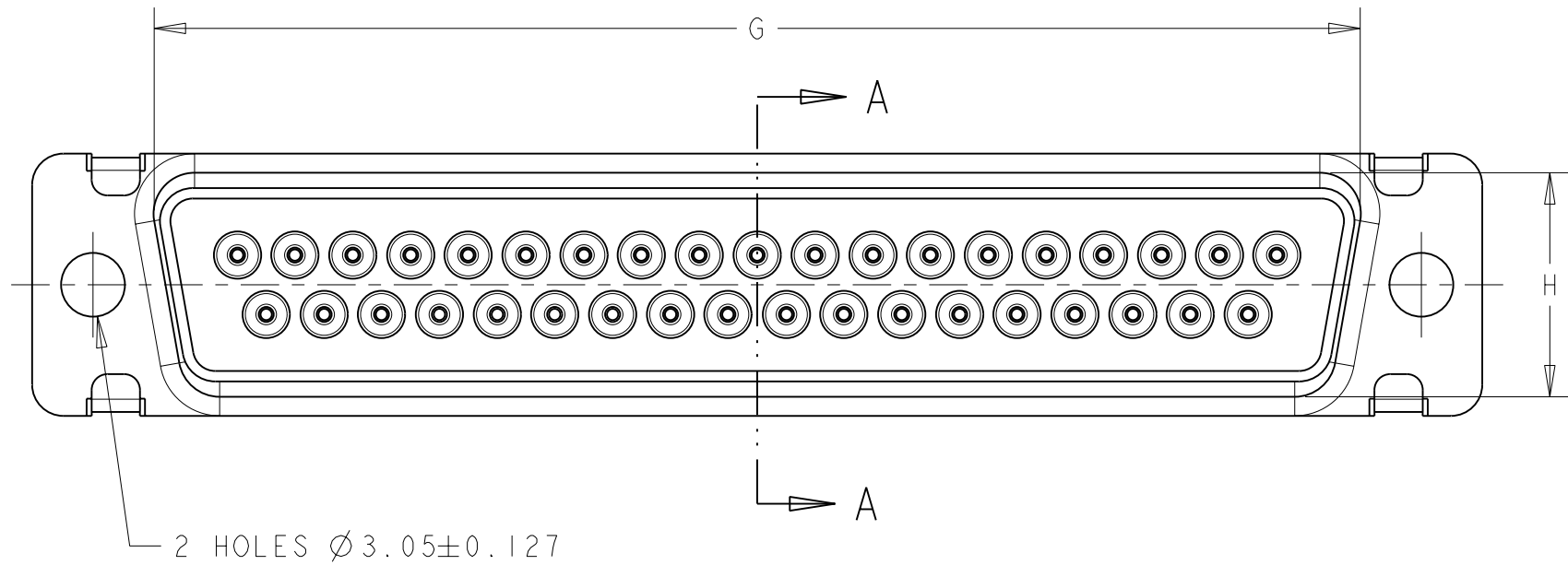
LOC	DIST	REVISIONS					
F	00	P	LTR	DESCRIPTION	DATE	DWN	APVD
		-		SEE SHEET 1			

# RECEPTACLE-MDG TYPE



SCALE 1:1

## SECTION A-A



10.90	6.17	55.32	13.56	15.37	10.74	61.11	52.43	66.93	RECEPTACLE	50	5	MDG308G-50S2-001	4-135787-0
10.90	6.17	57.71	10.72	12.55	7.90	63.50	54.84	69.32	RECEPTACLE	37	4	MDG308G-37S2-001	3-135787-8
10.90	6.17	41.30	10.72	12.55	7.90	47.04	38.38	53.04	RECEPTACLE	25	3	MDG308G-25S2-001	3-135787-6
10.90	6.17	27.51	10.72	12.55	7.90	33.32	24.66	39.14	RECEPTACLE	15	2	MDG308G-15S2-001	3-135787-4
10.90	6.17	19.28	10.72	12.55	7.90	24.99	16.33	30.81	RECEPTACLE	09	1	MDG308G-9S2-001	3-135787-2
10.90	6.17	55.32	13.56	15.37	10.74	61.11	52.43	66.93	RECEPTACLE WITH SOCKET CONTACTS	50	5	MDG308G-50S2	3-135787-0
10.90	6.17	57.71	10.72	12.55	7.90	63.50	54.84	69.32	RECEPTACLE WITH SOCKET CONTACTS	37	4	MDG308G-37S2	2-135787-8
10.90	6.17	41.30	10.72	12.55	7.90	47.04	38.38	53.04	RECEPTACLE WITH SOCKET CONTACTS	25	3	MDG308G-25S2	2-135787-6
10.90	6.17	27.51	10.72	12.55	7.90	33.32	24.66	39.14	RECEPTACLE WITH SOCKET CONTACTS	15	2	MDG308G-15S2	2-135787-4
10.90	6.17	19.28	10.72	12.55	7.90	24.99	16.33	30.81	RECEPTACLE WITH SOCKET CONTACTS	09	1	MDG308G-9S2	2-135787-2
M±0.25	K±0.13	G±0.25	H±0.25	E±0.38	D±0.13	C±0.13	B±0.13	A±0.38	DESCRIPTION	Nb POS.	SIZE	OLD P/N	P/N
												STANDARD MOUNT	

SEE NOTES ON LAST SHEET

THIS DRAWING IS A CONTROLLED DOCUMENT.

DWN BUON B. 17NOV1998  
 CHK LOUDIEUX G. 17NOV1998  
 APVD FURIO M. 17NOV1998

TE Connectivity

NAME SEALED SUB D CONNECTOR MDE - SERIES

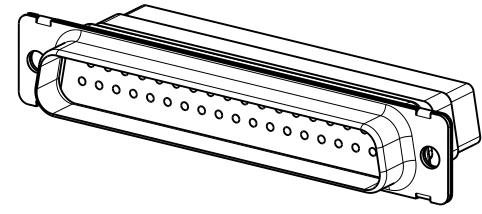
SIZE A2 CAGE CODE 00779 DRAWING NO C-135787 RESTRICTED TO -

NOTE 3 NOTE 4 CUSTOMER DRAWING SCALE 2:1 SHEET 3 OF 7 REV D

THIS DRAWING IS UNPUBLISHED. RELEASED FOR PUBLICATION 20  
 © COPYRIGHT 20 Tyco Electronics AMP GmbH ALL RIGHTS RESERVED.

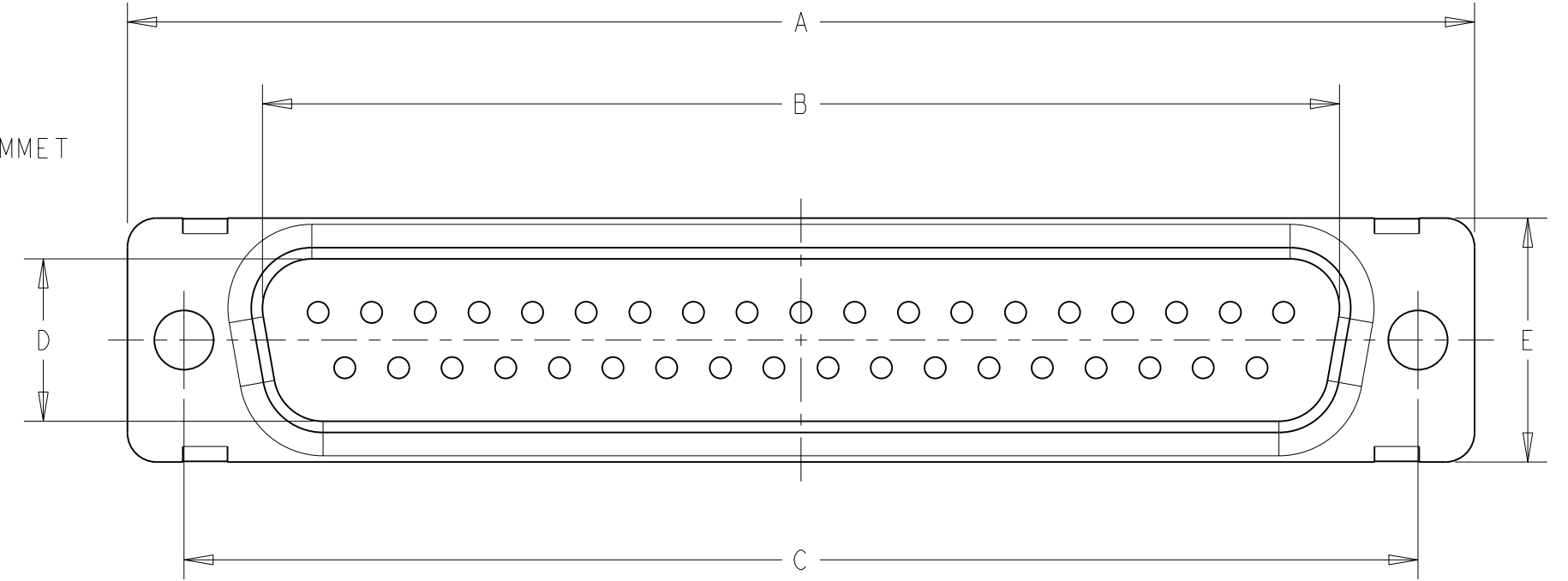
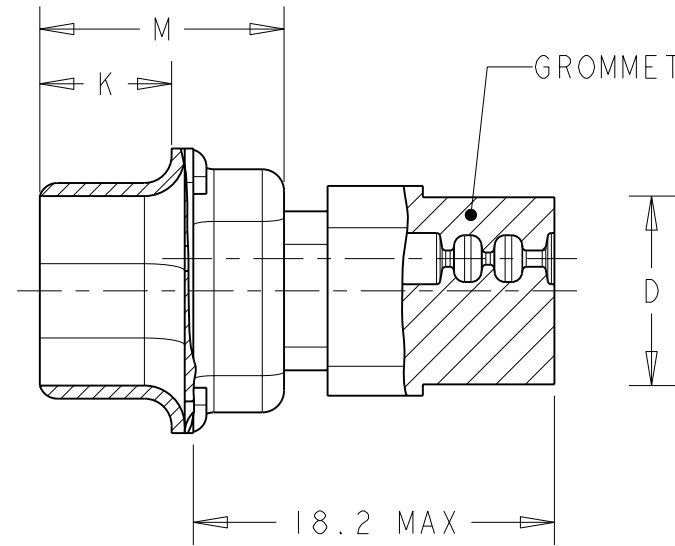
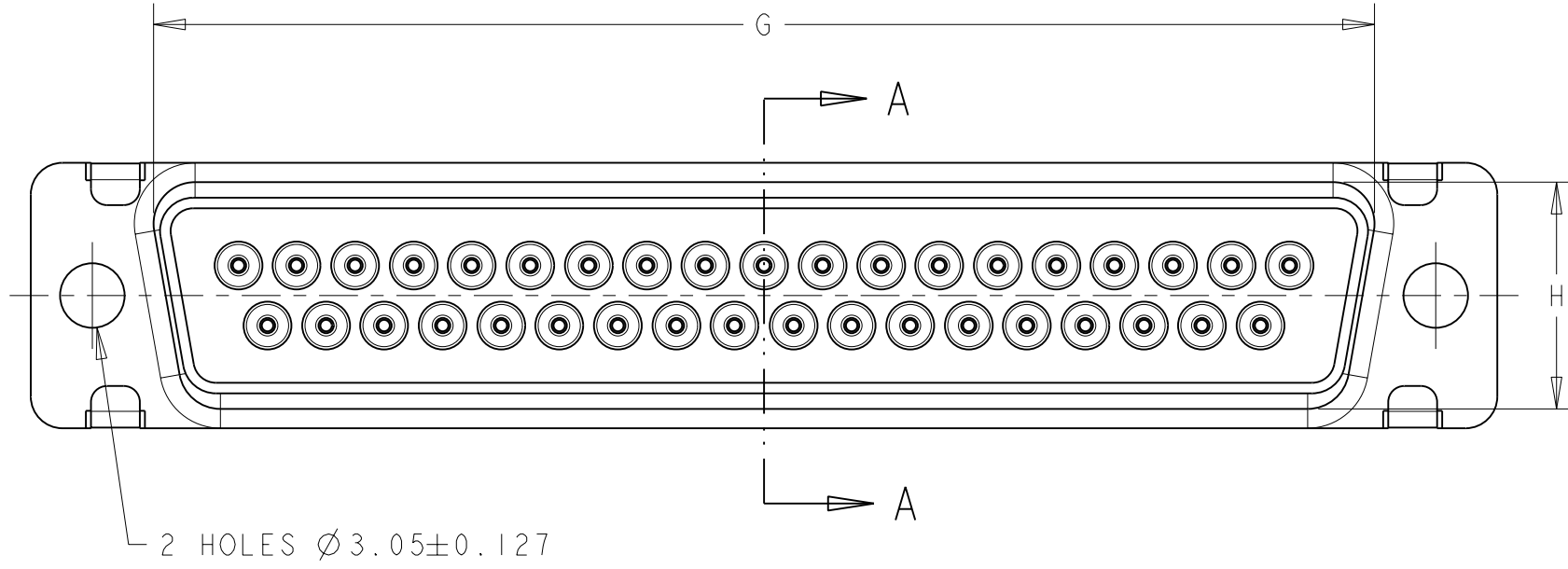
LOC	DIST	REVISIONS			
P	LTR	DESCRIPTION	DATE	DWN	APVD
F	00	-	SEE SHEET 1	-	-

# PLUG-MDG TYPE



SCALE 1:1

## SECTION A-A



10.82	5.84	55.32	13.56	15.37	11.20	61.11	52.81	66.93	PLUG	50	5	MDG308G-50P2-001	3-135787-9
10.82	5.84	57.71	10.72	12.55	8.36	63.50	55.42	69.32	PLUG	37	4	MDG308G-37P2-001	3-135787-7
10.82	5.84	41.30	10.72	12.55	8.36	47.04	38.96	53.04	PLUG	25	3	MDG308G-25P2-001	3-135787-5
10.72	5.97	27.51	10.72	12.55	8.36	33.32	25.25	39.14	PLUG	15	2	MDG308G-15P2-001	3-135787-3
10.72	5.97	19.28	10.72	12.55	8.36	24.99	16.92	30.81	PLUG	09	1	MDG308G-9P2-001	3-135787-1
10.82	5.84	55.32	13.56	15.37	11.20	61.11	52.81	66.93	PLUG WITH PIN CONTACTS	50	5	MDG308G-50P2	2-135787-9
10.82	5.84	57.71	10.72	12.55	8.36	63.50	55.42	69.32	PLUG WITH PIN CONTACTS	37	4	MDG308G-37P2	2-135787-7
10.82	5.84	41.30	10.72	12.55	8.36	47.04	38.96	53.04	PLUG WITH PIN CONTACTS	25	3	MDG308G-25P2	2-135787-5
10.72	5.97	27.51	10.72	12.55	8.36	33.32	25.25	39.14	PLUG WITH PIN CONTACTS	15	2	MDG308G-15P2	2-135787-3
10.72	5.97	19.28	10.72	12.55	8.36	24.99	16.92	30.81	PLUG WITH PIN CONTACTS	09	1	MDG308G-9P2	2-135787-1
M±0.25	K±0.13	G±0.25	H±0.25	E±0.38	D±0.13	C±0.13	B±0.13	A±0.38	DESCRIPTION	Nb POS.	SIZE	OLD P/N	P/N 2
										STANDARD MOUNT			

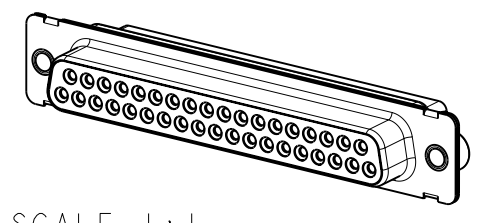
SEE NOTES ON LAST SHEET

THIS DRAWING IS A CONTROLLED DOCUMENT.		DWN BUON B. 17NOV1998	<b>STE</b> TE Connectivity
		CHK LOUDIEUX G. 17NOV1998	
DIMENSIONS: mm		APVD FURIO M. 17NOV1998	NAME SEALED SUB D CONNECTOR MDE - SERIES
TOLERANCES UNLESS OTHERWISE SPECIFIED:		PRODUCT SPEC	
0 PLC ±0.13		APPLICATION SPEC	SIZE
1 PLC ±0.13		NOTE 7	CAGE CODE
2 PLC ±0.13		WEIGHT	DRAWING NO
3 PLC ±			RESTRICTED TO
4 PLC ±			
ANGLES ±1			
FINISH			
MATERIAL	NOTE 3	CUSTOMER DRAWING	SCALE 2:1 SHEET 4 OF 7 REV D

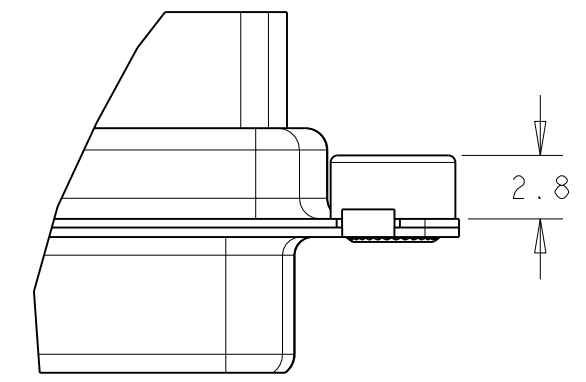
THIS DRAWING IS UNPUBLISHED. RELEASED FOR PUBLICATION 20  
COPYRIGHT 20 Tyco Electronics AMP GmbH ALL RIGHTS RESERVED.

LOC		DIST		REVISIONS			
P	LTR	DESCRIPTION	DATE	DWN	APVD		
F	00	SEE SHEET 1	-	-	-		

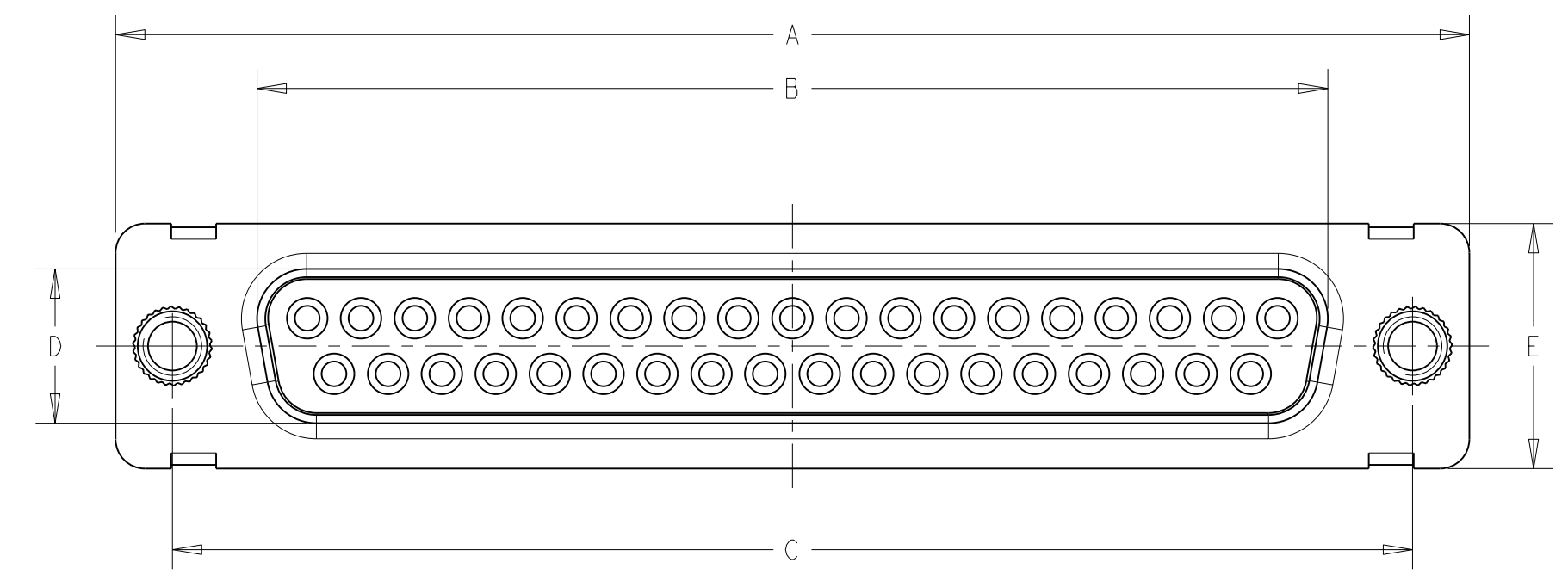
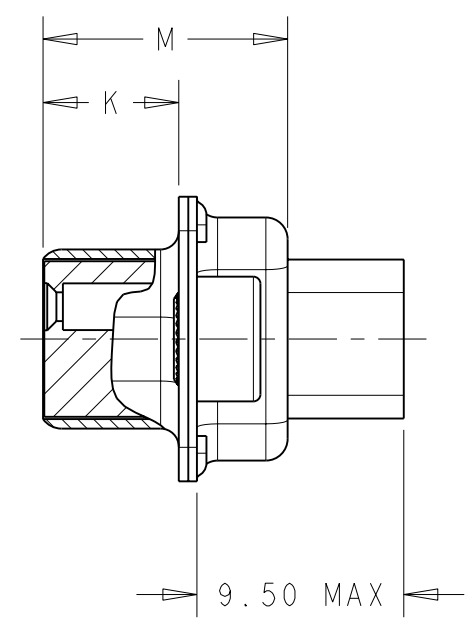
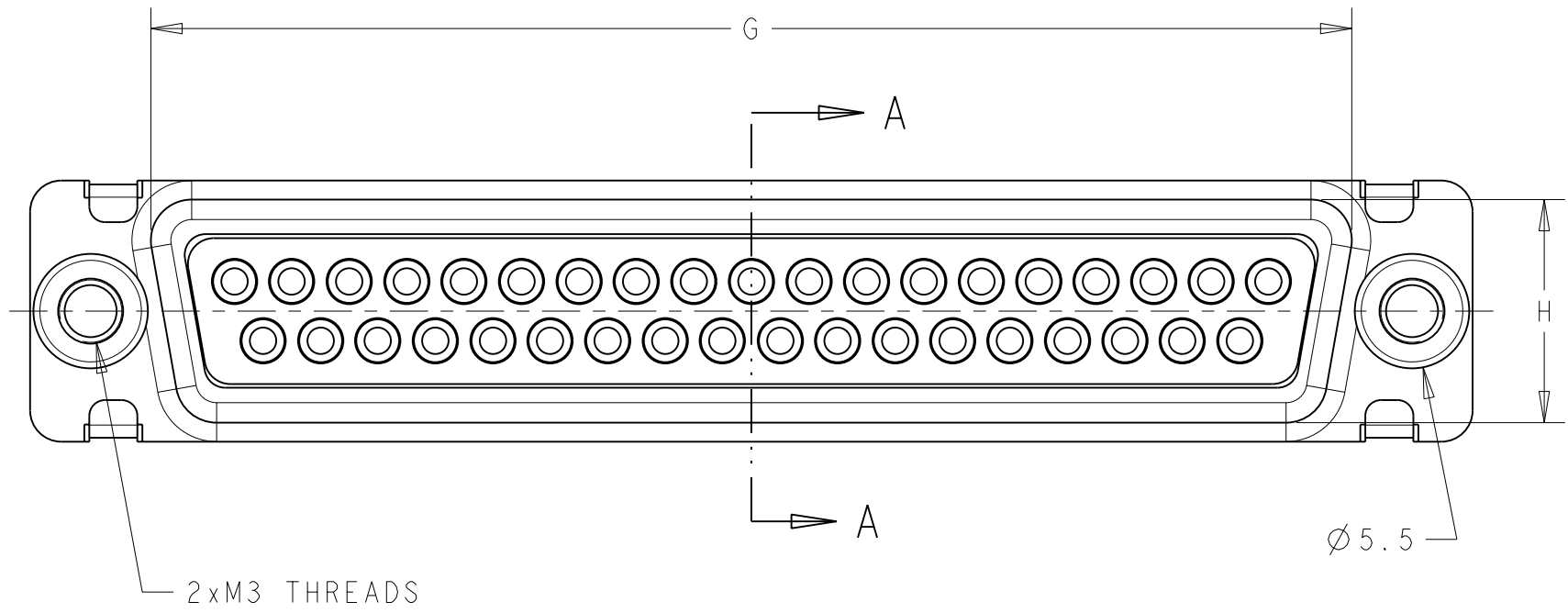
# RECEPTACLE - MD308GA TYPE



SCALE 1:1



SECTION A - A



10.90	6.17	55.32	13.56	15.37	10.74	61.11	52.43	66.93	RECEPTACLE	50	5	MD308GA-50S2-001	5-135787-1
10.90	6.17	57.71	10.72	12.55	7.90	63.50	54.84	69.32	RECEPTACLE	37	4	MD308GA-37S2-001	5-135787-0
10.90	6.17	41.30	10.72	12.55	7.90	47.04	38.38	53.04	RECEPTACLE	25	3	MD308GA-25S2-001	4-135787-9
10.90	6.17	27.51	10.72	12.55	7.90	33.32	24.66	39.14	RECEPTACLE	15	2	MD308GA-15S2-001	4-135787-8
10.90	6.17	19.28	10.72	12.55	7.90	24.99	16.33	30.81	RECEPTACLE	09	1	MD308GA-9S2-001	4-135787-7
10.90	6.17	58.47	15.14	16.97	12.32	63.65	55.60	69.32	RECEPTACLE, HIGH DENSITY	104	6	MD308GA-66104S2-001	4-135787-6
10.90	6.17	55.32	13.56	15.37	10.74	61.11	52.43	66.93	RECEPTACLE, HIGH DENSITY	78	5	MD308GA-5078S2-001	4-135787-5
10.90	6.17	57.71	10.72	12.55	7.90	63.50	54.84	69.32	RECEPTACLE, HIGH DENSITY	62	4	MD308GA-3762S2-001	5-135787-4
10.90	6.17	41.30	10.72	12.55	7.90	47.04	38.38	53.04	RECEPTACLE, HIGH DENSITY	44	3	MD308GA-2544S2-001	4-135787-4
10.90	6.17	27.51	10.72	12.55	7.90	33.32	24.66	39.14	RECEPTACLE, HIGH DENSITY	26	2	MD308GA-1526S2-001	4-135787-3
10.90	6.17	19.28	10.72	12.55	7.90	24.99	16.33	30.81	RECEPTACLE, HIGH DENSITY	15	1	MD308GA-915S2-001	5-135787-5
M±0.25	K±0.13	G±0.25	H±0.25	E±0.38	D±0.13	C±0.13	B±0.13	A±0.38	DESCRIPTION	Nb POS.	SIZE	OLD P/N	P/N
												THEADED INSERTS MOUNT	

SEE NOTES ON LAST SHEET

THIS DRAWING IS A CONTROLLED DOCUMENT.

DWN BUON B. 17NOV1998  
CHK LOUDIEUX G. 17NOV1998  
APVD FURIO M. 17NOV1998

TE Connectivity

NAME SEALED SUB D CONNECTOR  
MDE - SERIES

SIZE A2 CAGE CODE 00779 DRAWING NO C-135787 RESTRICTED TO -

SCALE 2:1 SHEET 5 OF 7 REV D

NOTE 3 NOTE 4 CUSTOMER DRAWING

4

3

2

1

THIS DRAWING IS UNPUBLISHED. RELEASED FOR PUBLICATION 20  
 © COPYRIGHT 20 Tyco Electronics AMP GmbH ALL RIGHTS RESERVED.

PLUG-MD308GA TYPE

LOC	DIST	REVISIONS			
P	LTR	DESCRIPTION	DATE	DWN	APVD
F	00	-	SEE SHEET 1	-	-


SECTION A - A

2xM3 THREADS  $\phi 5.5$

2.8  
9.50 MAX

10.82	5.84	41.30	10.72	12.55	8.36	47.04	38.96	53.04	PLUG	25	3	MD308GA-25P2-001	5-135787-8
M $\pm 0.25$	K $\pm 0.13$	G $\pm 0.25$	H $\pm 0.25$	E $\pm 0.38$	D $\pm 0.13$	C $\pm 0.13$	B $\pm 0.13$	A $\pm 0.38$	DESCRIPTION	Nb POS.	SIZE	OLD P/N	P/N $\triangle$ 2
												THEADED INSERTS MOUNT	

SEE NOTES ON LAST SHEET

THIS DRAWING IS A CONTROLLED DOCUMENT.		DWN BUON B. 17NOV1998	 TE Connectivity			
		CHK LOUIDIEUX G. 17NOV1998				
DIMENSIONS: mm		APVD FURIO M. 17NOV1998	NAME SEALED SUB D CONNECTOR MDE - SERIES			
TOLERANCES UNLESS OTHERWISE SPECIFIED: 0 PLC $\pm 0.13$ 1 PLC $\pm 0.13$ 2 PLC $\pm 0.13$ 3 PLC $\pm$ 4 PLC $\pm$ ANGLES $\pm 1$ FINISH		PRODUCT SPEC -	SIZE A2	CAGE CODE 00779	DRAWING NO C-135787	RESTRICTED TO -
MATERIAL NOTE 3		APPLICATION SPEC NOTE 7	SCALE 3:1		SHEET 6 OF 7	REV D
		WEIGHT -	CUSTOMER DRAWING			

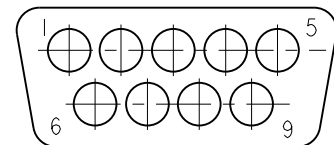
1471-9 (3/11)

THIS DRAWING IS UNPUBLISHED. RELEASED FOR PUBLICATION 20  
 © COPYRIGHT 20 Tyco Electronics AMP GmbH ALL RIGHTS RESERVED.

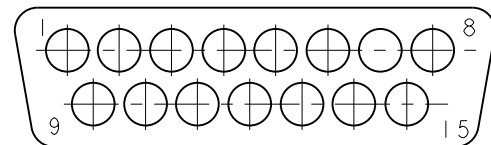
LOC	DIST	REVISIONS					
F	00	P	LTR	DESCRIPTION	DATE	DWN	APVD
		-		SEE SHEET 1		-	-

MATING FACE OF PLUG SHOWN

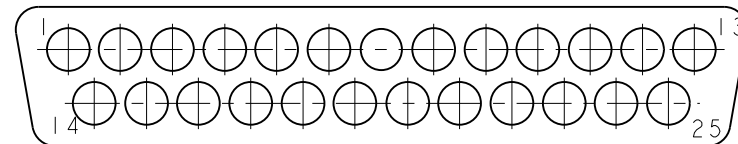
CONFIGURATIONS FOR #20 CONTACTS



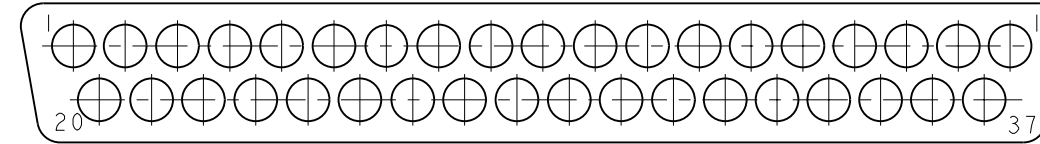
9 POSITION MS18273-1  
SHELL SIZE 1



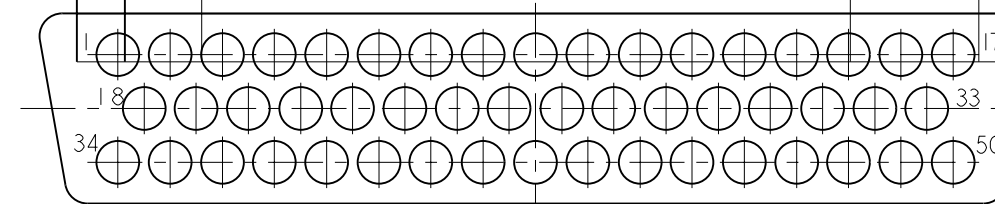
15 POSITION MS18274-1  
SHELL SIZE 2



25 POSITION MS18275-1  
SHELL SIZE 3

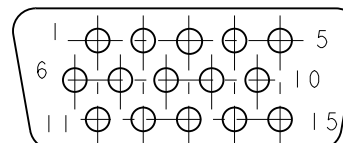


37 POSITION MS18276-1  
SHELL SIZE 4

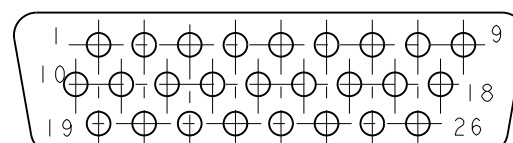


50 POSITION MS18277-1  
SHELL SIZE 5

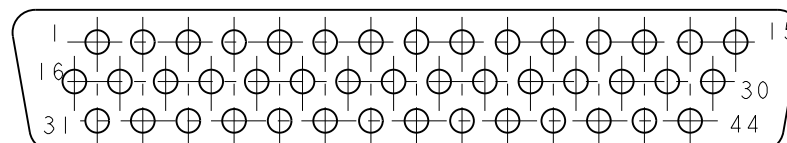
CONFIGURATIONS FOR #22 CONTACTS



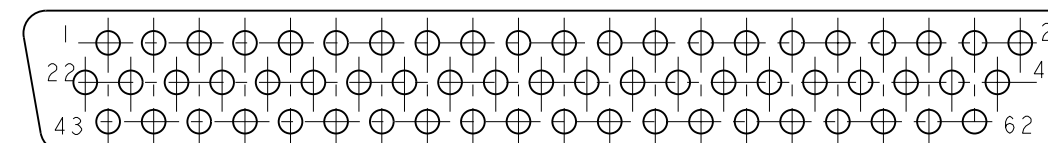
15 POSITION MS18273-2  
SHELL SIZE 1



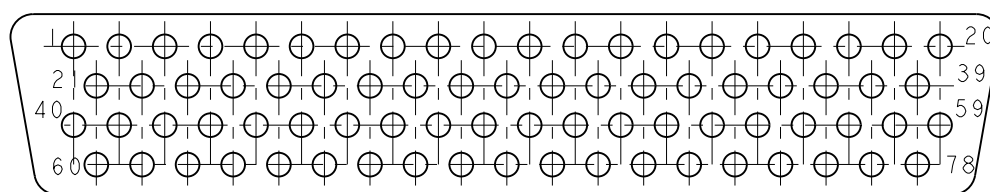
26 POSITION MS18274-2  
SHELL SIZE 2



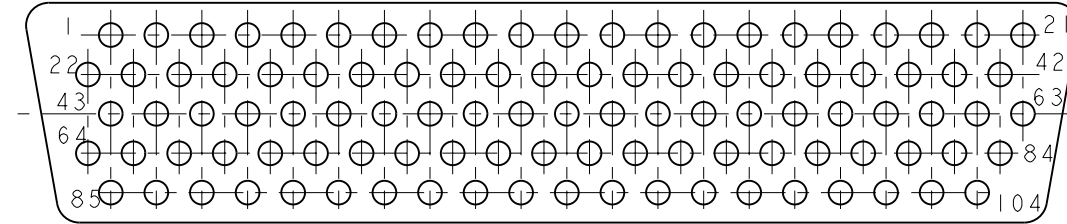
44 POSITION MS18275-2  
SHELL SIZE 3



62 POSITION MS18276-2  
SHELL SIZE 4



78 POSITION MS18277-2  
SHELL SIZE 5



104 POSITION MS14004-1  
SHELL SIZE 6

1 THIS CONNECTOR MEETS THE REQUIREMENTS OF MIL-DTL-24308

2 PART NUMBER FOR ORDERING

- 3- MATERIALS :
- SHELL : STEEL,CD PLATED
  - HOUSING : PBT, GLASS FILLED, UL94VO
  - RETAINING CLIP : STAINLESS STEEL
  - GROMMET AND INTERFACIAL SEAL : FLUROSILICONE ELASTOMER
  - SEALING COMPOUND : RTV
  - CONTACT: COPPER ALLOY, GOLD PLATED OVER NICKEL

- 4- CABLES EXTERNAL DIAMETER FOR CONTACTS #20 :  $\varnothing 0.85$  to  $\varnothing 1.83$   
 CABLES EXTERNAL DIAMETER FOR CONTACTS #22 :  $\varnothing 1.37$  MAX

- 5- CONNECTOR MARKING:  
 . MANUFACTURER IDENTIFICATION  
 . PART NUMBER  
 . DATE-CODE

6- INSERT ARRANGEMENT PER MIL-DTL-24308

7- FOR CONTACT CRIMPING INSTRUCTION SHEET REFER TO SPEC IS 7516  
 FOR CONTACT INSTALATION/ REMOVAL INSTRUCTION SHEET REFER TO SPEC IS 7508

- 8- #20 SOCKET CRIMP CONTACT P/N: 205090-1  
 #20 PIN CRIMP CONTACT P/N: 205089-1

- #22D SOCKET CRIMP CONTACT P/N: 204351-1  
 #22D PIN CRIMP CONTACT P/N: 204370-2

- 9- INSERTION/EXTRACTION TOOL P/N: 91067-2  
 INSERTION/EXTRACTION TOOL P/N: 91067-1

- 10- CRIMP WITH HAND TOOL: 601966-1 + DIE INSERT: 601966-4  
 CRIMP WITH HAND TOOL: M22520/02-01 + POSITIONNER : M22520/02-06

THIS DRAWING IS A CONTROLLED DOCUMENT.		DWN BUON B. 17NOV1998	 TE Connectivity
DIMENSIONS: mm		CHK LOUDIEUX G. 17NOV1998	
TOLERANCES UNLESS OTHERWISE SPECIFIED:		APVD FURIO M. 17NOV1998	
		PRODUCT SPEC	NAME SEALED SUB D CONNECTOR MDE - SERIES
MATERIAL		APPLICATION SPEC	SIZE
NOTE 3		NOTE 7	CAGE CODE
NOTE 4		WEIGHT	DRAWING NO
		CUSTOMER DRAWING	A200779C-135787
		SCALE 2:1	RESTRICTED TO
		SHEET 7 OF 7	REV D

# Mouser Electronics

Authorized Distributor

Click to View Pricing, Inventory, Delivery & Lifecycle Information:

[TE Connectivity:](#)

[1-135787-6](#)