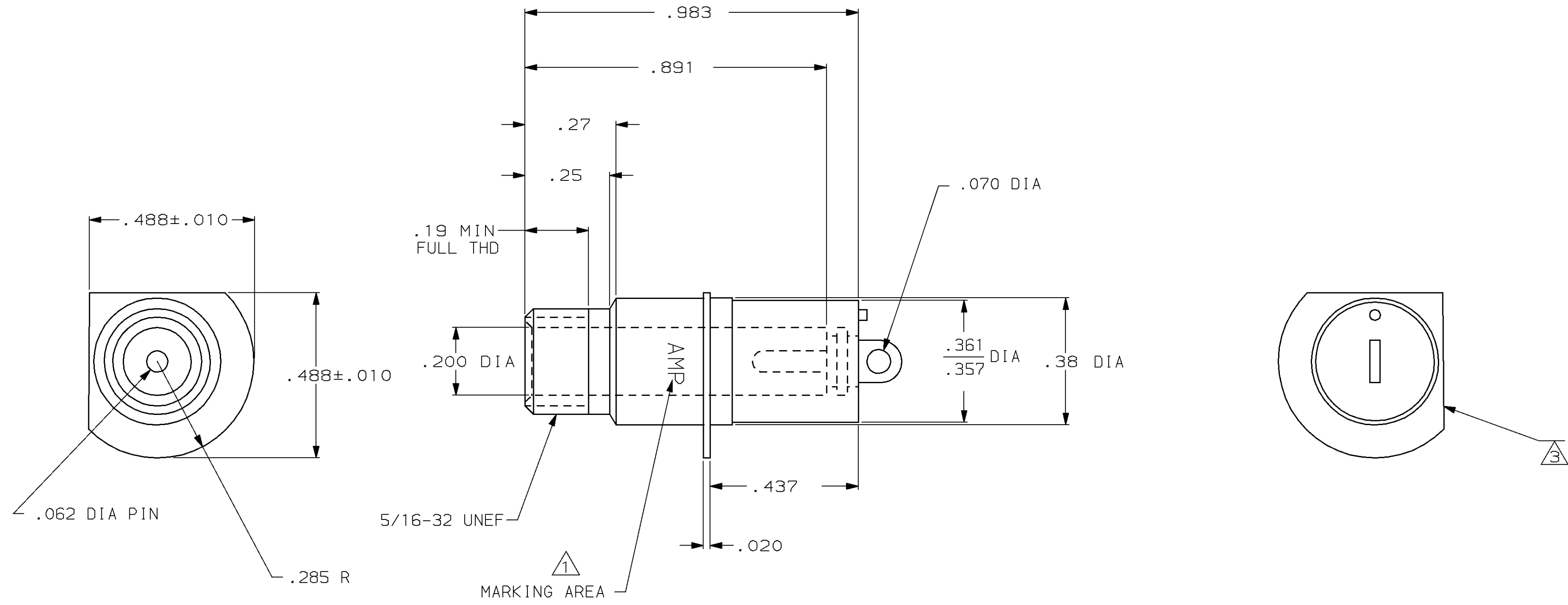


THIS DRAWING IS UNPUBLISHED. RELEASED FOR PUBLICATION ,19 .  
 © COPYRIGHT 19 BY AMP INCORPORATED, HARRISBURG, PA. ALL INTERNATIONAL RIGHTS RESERVED. AMP PRODUCTS MAY BE COVERED BY U.S. AND FOREIGN PATENTS AND/OR PATENTS PENDING.

LOC		DIST		P		F		REVISIONS		DATE	APPROVED
DF	SO			ZONE	LTR	DESCRIPTION					
					A	REV PER 0600-6064-96 CT		3-97	SG		



- 1 MARKED PER MIL-STD-130.
- 2. THIS RECEPTACLE IS HERMETICALLY SEALED.
- 3 EYELET PORTION OF PIN AND FLATS ON FLANGE TO BE ORIENTED AS SHOWN.

868698-1  
PART NO

UNLESS OTHERWISE SPECIFIED DIMENSIONS ARE IN INCHES TOLERANCES ON :		DR 2-5-86 R. HEPNER		AMP INCORPORATED Harrisburg, Pa. 17105	
2 PL DEC ± .01 3 PL DEC ± .005 ANGLES ± -		CHK 2-5-86 M. GARDNER			
MATERIAL		APPD 2-5-86 M. GARDNER		NAME RECEPTACLE, LGH 1/2L	
-		APPD 2-5-86 R. HEPNER		SIZE	
FINISH		PRODUCT SPEC		FSCM NO	
-		APPLICATION SPEC		DRAWING NO	
-		WEIGHT		C 00779	
				868698	
				SCALE 4:1	
				SHEET 1 OF 1	

# Mouser Electronics

Authorized Distributor

Click to View Pricing, Inventory, Delivery & Lifecycle Information:

[TE Connectivity:](#)

[868698-1](#)