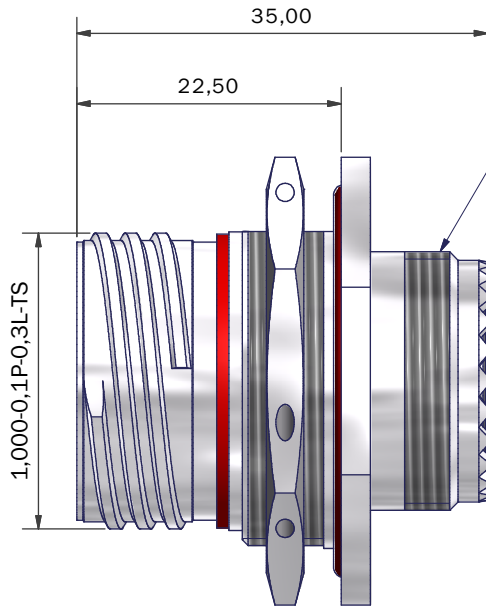
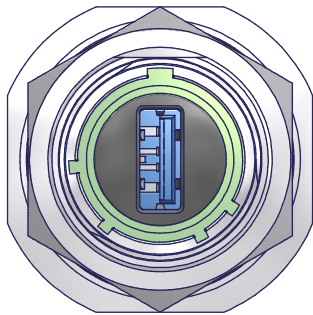
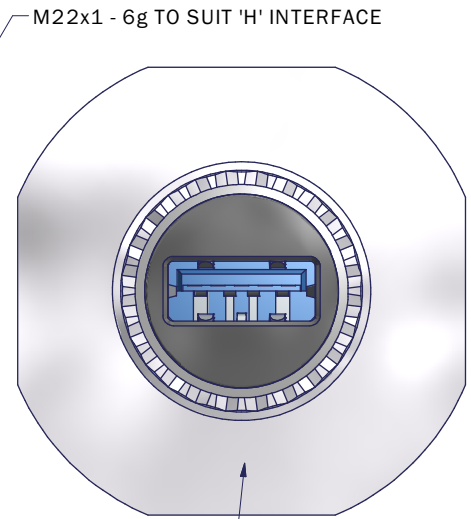


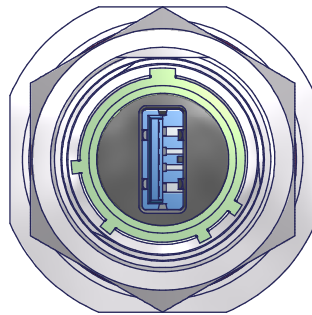
OPTION X (STANDARD)



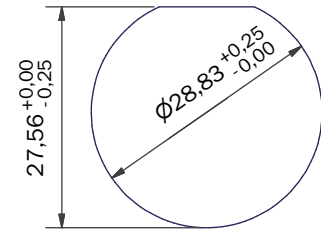
LASER PART/BATCH MARK HERE



OPTION Y



OPTION Z



RECOMMENDED PANEL CUT OUT

NOTES
 GENERALLY TO THE REQUIREMENTS OF MIL-DTL-38999
 MATES WITH AMPHENOL USBFTV AND USB3FTV

MATERIALS
 USB 3.0 A INSERT
 CONTACT AREA 0,76µm Au OVER 1,27-2,54 µm Ni
 SHIELDING - TIN PLATED BRASS
 BODY - LCP, UL94V-0

PCB - FR4, UL94V-0
 SEAL - SILICONE ELASTOMER
 INSULATOR - PPS GL40 UL94
 POTTING - RTV3140 UL94V-0

PERFORMANCE
 CURRENT RATING - PINS 1 AND 4 - 1.8 AMP MAX
 - OTHER PINS - 0.25A MAX
 DATA RATE - UP TO 5Gbit/s FOR SUPERSPEED USB
 VOLTAGE RATING 30V AC
 TEMPERATURE -20°C TO +85°C
 5000 MATING CYCLES MAX (USB 3.0 CONNECTOR ONLY)

SHELL - MATING CYCLES 500 MAX
 SEALED TO IP68 WHEN MATED

PC4F0086-15NX-1-C

SERIES
 SHELL SIZE
 KEY ARRANGEMENT (N, A, B, C, D, E)
 INSERT ROTATION (X = 0°, Y = 90°, Z = 270°)
 MATERIAL AND PLATING (SEE TABLE)

| CODE | MATERIAL / FINISH |
|------|---|
| 1-C | ALUMINIUM / ELECTROLESS NICKEL |
| 1-B | ALUMINIUM / CADMIUM OLIVE DRAB OVER ELECTROLESS NICKEL |
| 1-ZB | ALUMINIUM / ZINC COBALT OLIVE DRAB OVER ELECTROLESS NICKEL |
| 1-ZK | ALUMINIUM / ZINC COBALT BLACK OVER ELECTROLESS NICKEL |
| 1-ZN | ALUMINIUM / ZINC NICKEL BLACK PASSIVATE OVER ELECTROLESS NICKEL |
| 4-J | STAINLESS STEEL / PASSIVATE |
| 2-Z | NICKEL ALUMINIUM BRONZE / SHOT BLAST |

LIST NOT EXHAUSTIVE, FOR COMPREHENSIVE LIST AND SPECS, SEE WEBSITE

| | | | |
|-------------|--------|------------|--|
| DRAWN | R.S. | DATE | 3RD ANGLE PROJECTION NOT TO SCALE UNLESS OTHERWISE SPECIFIED ALL DIMENSIONS IN MILLIMETRES GENERAL TOL LINEAR +/-0,25MM ANGULAR +/- 1° |
| SALES APPR | J.C. | 27/05/2015 | |
| DESIGN APPR | M.PAUL | 28/05/2015 | |
| PROD APPR | K.S. | 28/05/2015 | |
| QUAL APPR | P.REES | 28/05/2015 | |
| ISSUE | REV. | DCR | |
| 1 | | | |
| NCAGE CODE | U5792 | WEIGHT | |
| | | | |

PART NUMBER:

PC4F0086-15NX-x-x

TITLE:

USB 3.0 A FEEDTHROUGH JAM NUT RECEPTACLE

ASSY USED ON: USB 3.0 D38999/24

THIS DRAWING IS COPYRIGHT AND THE PROPERTY OF POLAMCO LTD IT MUST NOT BE COPIED, USED FOR MANUFACTURE OR OTHERWISE DISCLOSED WITHOUT PRIOR WRITTEN CONSENT OF THE COMPANY.

POLAMCO LTD, WESTON LOCK, LOWER BRISTOL ROAD BATH BA2 1EP

SHT 1



DRAWING NO: **C6200**

Mouser Electronics

Authorized Distributor

Click to View Pricing, Inventory, Delivery & Lifecycle Information:

[TE Connectivity:](#)

[PC4F0086-15NY-1-B](#) [PC4F0086-15NZ-1-C](#)