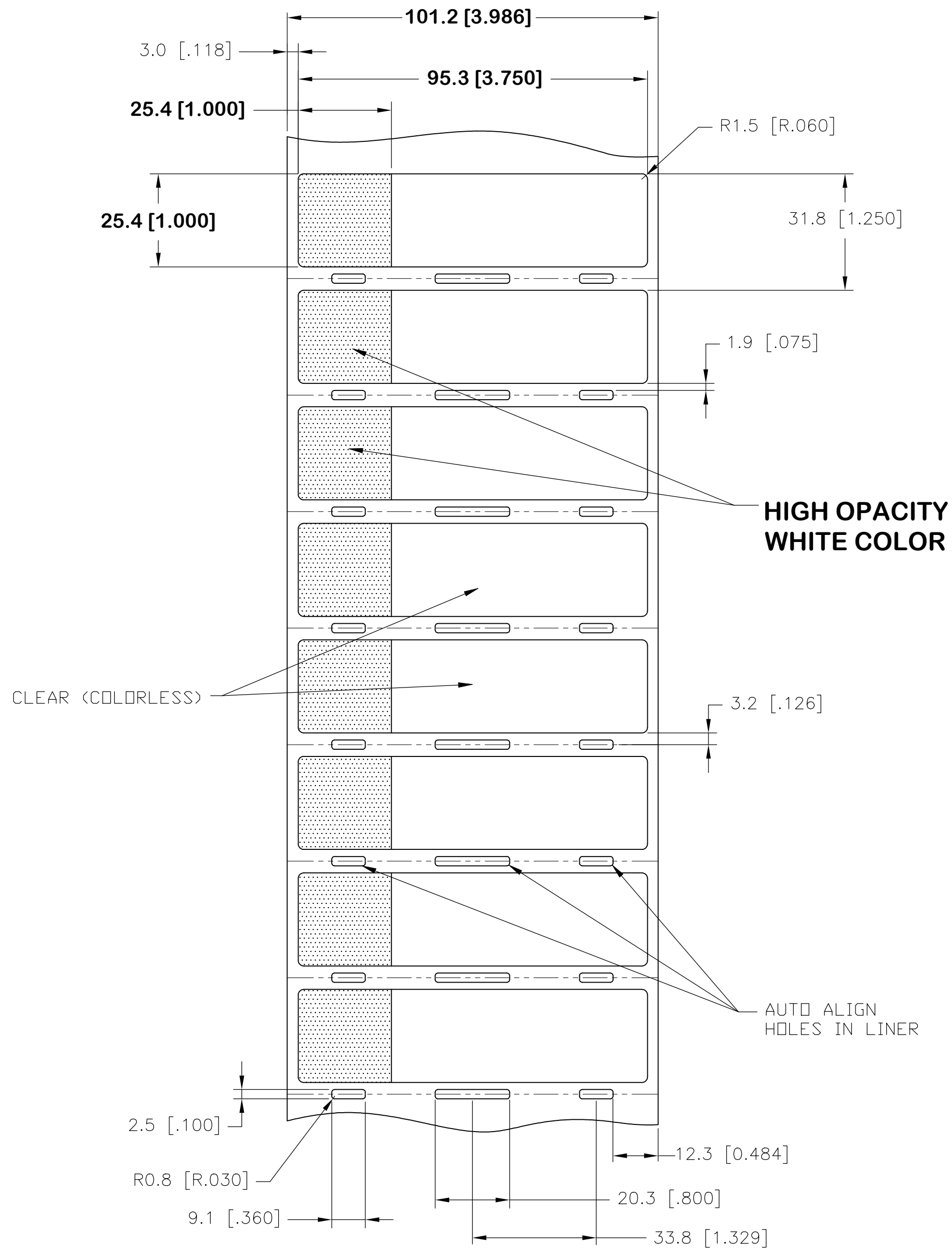
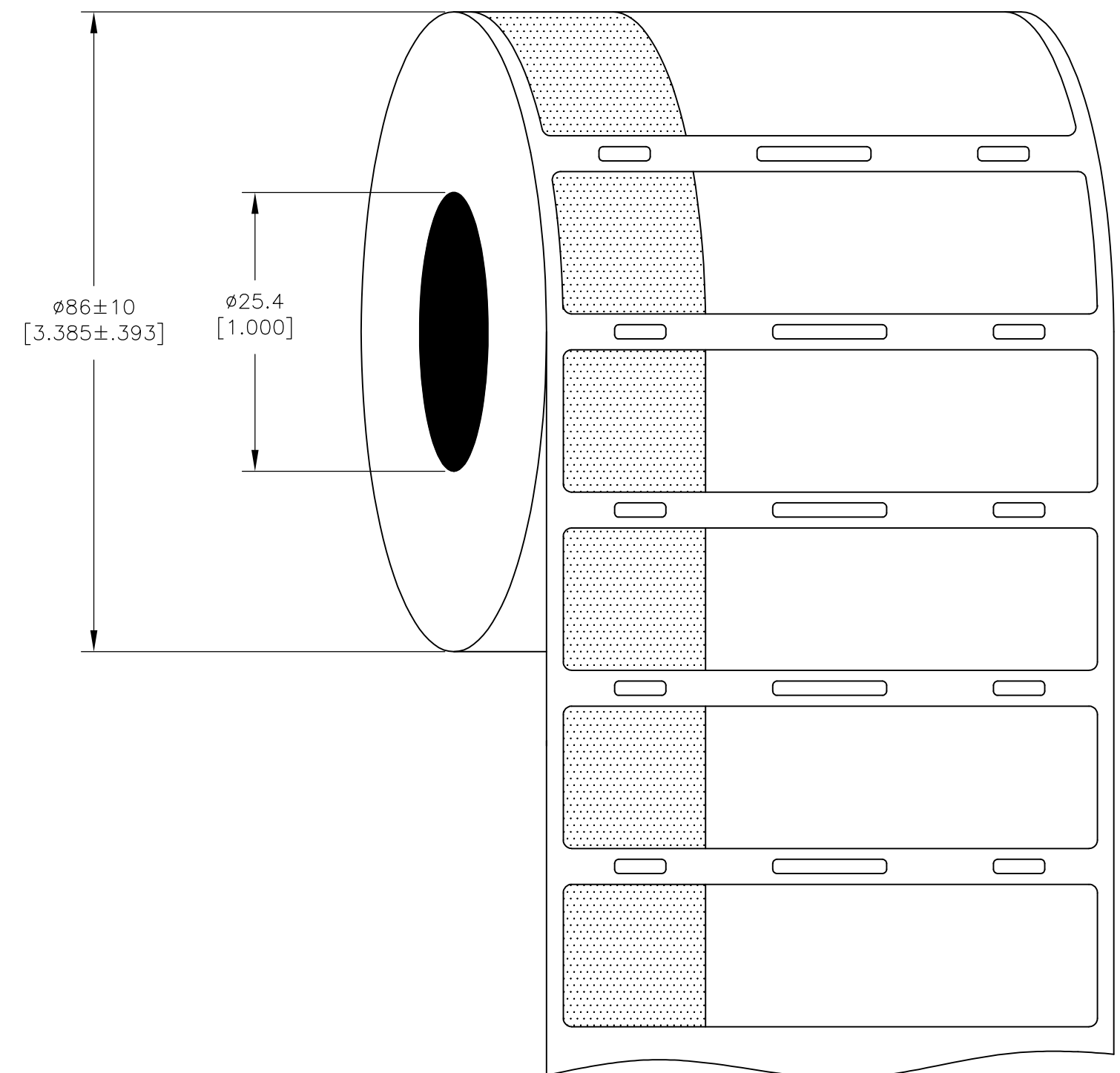


REVISIONS					
P	LTR	DESCRIPTION	DATE	DWN	APVD
B		NEW DRAWING FORMAT	25FEB2017	GK	DB
F		LINER CHANGE	11OCT2018	GK	DB

LABEL AND LINER DESIGN



PRESENTATION



OUTSIDE WOUND LABEL ACROSS: 1 PER ROLL QTY: 1000

All dimensions in mm [Inch]

TE PN: CN9939-000

UL-MARKING AND LABELLING SYSTEMS		
PGIS2 - Marking and Labeling Systems, Limited Use - Component (UL 969)		
File: MH61871	Product design: SBP	Ribbon: TMS-XXX-RIBBON-4RPSCE

TOLERANCES mm [INCH]	
LABEL HEIGHT:	±0.3 [.012]
LABEL WIDTH:	±0.3 [.012]
WEB WIDTH:	±0.8 [.031]
VERTICAL REPEAT:	±0.8 [.031]*
HORIZONTAL REPEAT:	±0.8 [.031]*
PRINT POSITIONING:	±0.8 [.031]*
LEFT MARGIN:	±0.4 [.016]
QUANTITY:	-0 % +2 %
*NON ACCUMULATING	

DIMENSIONS: mm [INCHES]	
TOLERANCES UNLESS OTHERWISE SPECIFIED:	
0 PLC	±
1 PLC	±
2 PLC	±
3 PLC	±
4 PLC	±
ANGLES	±

MATERIAL	CLEAR VINYL
ADHESIVE TYPE	ACRYLIC PERMANENT
LINEAR	WHITE KRAFT
DWN	25FEB2017
CHK	GOPALAKRISHNA HV
APVD	25FEB2017
NAME	D.BURGAT
PRODUCT SPEC	TTDS-211
APPLICATION SPEC	
WEIGHT	0.336g
SIZE	A2
CAGE CODE	00779
DRAWING NO	C=SBPH100375WE1-T200
RESTRICTED TO	
CUSTOMER DRAWING	SCALE NTS SHEET 1 of 1 REV F

Mouser Electronics

Authorized Distributor

Click to View Pricing, Inventory, Delivery & Lifecycle Information:

[TE Connectivity:](#)

[CN9939-000](#)