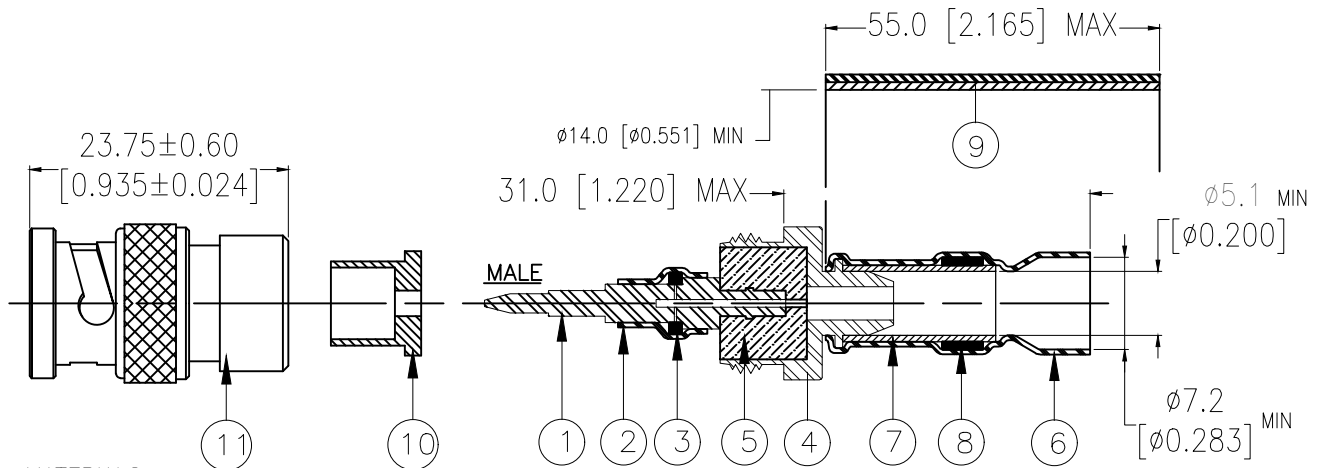


REVISIONS					
P	LTR	DESCRIPTION	DATE	DWN	APVD
	5	REVISED AS PER ECO-20-003569.	11MAR2020	TC	NP



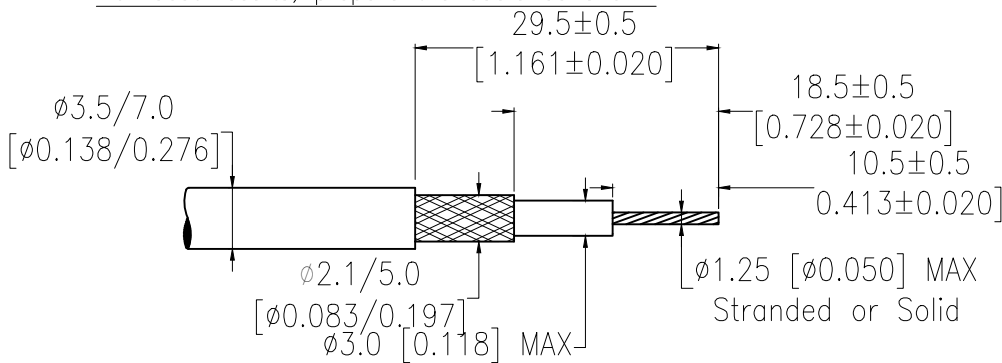
**MATERIALS:**

- Center Contact: Gold plated brass (male).
- & 6. Heat Shrinkable Insulation Sleeve: Radiation cross-linked modified polyvinylidene fluoride. Transparent blue.
- & 8. Solder Preform: Sn62Ag2Pb36 solder per ANSI/J-STD-006. ROL0 flux per ANSI/J-STD-004.
- Threaded Transition Part: Silver plated brass.
- Dielectric Insulator: PolyTetraFluoroEthylene
- Shield: Solder impregnated, flux coated copper braid. Solder: Sn62Ag2Pb36 solder per ANSI/J-STD-006. Flux: ROM1 per ANSI/J-STD-004.
- Heat Shrinkable Insulation Sleeve: Radiation cross-linked modified polyolefin with adhesive. Color: black, Marked: PBD-50-82-S
- Dielectric Insulator: PolyTetraFluoroEthylene
- Connector Body: Nickel plated brass.

**APPLICATION:**

- This controlled soldering device is designed for terminating the center conductor & the braid of 50Ω single or double braided coaxial cables with the following:
  - Tin or silver plated conductor and braid.
  - An insulation rating of at least 85°C.
- The assembly is intermatable with MIL-PRF-39012C BNC type connectors.
- Temperature range:
  - \*With black sleeve (9) : -55°C to +100°C.
  - \*Without black sleeve (9) : -55°C to +150°C.
- For installation procedure and application equipment consult RPIP-683-00-SAAB.
- This device will meet Raychem specification RB-115 when assembled properly.

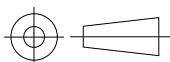
For best results, prepare the cable as shown:



TE Connectivity. All Rights Reserved. © 2020



DIMENSIONS: mm [INCHES]	DWN T.CORREIA 11MAR2020	MATERIAL -	FINISH -		
	CHK R.MACNAUGHTON 11MAR2020	TE Connectivity			
TOLERANCES UNLESS OTHERWISE SPECIFIED:	APVD N.PRZYBYLSKA 11MAR2020			NAME PLUGPAK CONNECTOR 50 OHMS BNC	
0 PLC ± -	PRODUCT SPEC	SIZE	CAGE CODE	DRAWING NO	RESTRICTED TO
1 PLC ± -	-	A4	06090	C-PBD-50-82-S	-
2 PLC ± -	APPLICATION SPEC	WEIGHT 0.000000		SCALE DNS	SHEET 1 OF 1
3 PLC ± -	-	CUSTOMER DRAWING		REV 5	
4 PLC ± -					
ANGLES ± -					



# Mouser Electronics

Authorized Distributor

Click to View Pricing, Inventory, Delivery & Lifecycle Information:

[TE Connectivity:](#)

[PBD-50-82-S](#)