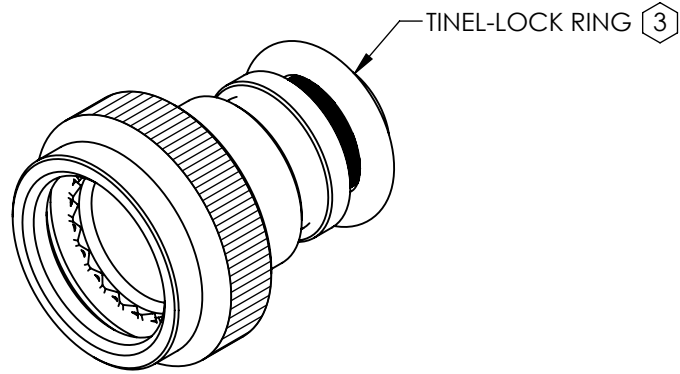


REVISIONS				
REV	DESCRIPTION	DATE	DWN	APVD
AA	ECR 7492	22/01/2020	N.H	R.S
AB	ECR 7952	14/09/2020	KKW	R.S



### TXR41AB00-1608AI-

- SERIES \_\_\_\_\_
- TXR - RING INCLUDED  
    (SEE RING OPTION)
- TX - RING NOT INCLUDED
- CONNECTOR INTERFACE \_\_\_\_\_
- MATERIAL \_\_\_\_\_
- FINISH \_\_\_\_\_
- ANGLE \_\_\_\_\_
- SHELL SIZE (TABLE 1) \_\_\_\_\_
- ODD NUMBERS - MIL-DTL-38999 SERIES I
- EVEN NUMBERS - MIL-DTL-38999 SERIES II
- ENTRY SIZE (TABLE 2) \_\_\_\_\_
- RING OPTION \_\_\_\_\_
- AI - TO SUIT SINGLE BRAID
- BI - TO SUIT DOUBLE BRAID
- FOR TX, LEAVE BLANK
- MODIFICATION CODE \_\_\_\_\_
- REFER TO CH00-0250-008

**NOTES:**

1. THIS PRODUCT IS DESIGNED TO TERMINATE A BRAIDED CABLE SHIELD AND A HEAT SHRINKABLE LIPPED BOOT TO A CONNECTOR.
2. FOR ADDITIONAL DIMENSIONS, ORDERING INFORMATION AND MODIFICATIONS, SEE CH00-0250-008.

3. SEE DRAWING TR FOR DETAIL ON TINEL-LOCK RING, RINGS ARE DESIGNED TO BE HEATED ELECTRICALLY, ALL RINGS ARE MARKED WITH THERMOCHROMIC PAINT WHICH CHANGES COLOUR WHEN INSTALLATION TEMPERATURE IS REACHED.

4. BACKSHELL TO BE PERMANENTLY MARKED/BAGGED AND LABELLED WITH CODE IDENTIFICATION NUMBER AND PART NUMBER LESS RING DESIGNATOR. (e.g. 06090-TXR41AB00-1206). RING SHALL BEAR NO MARKING.

5. FOR LARGER ENTRY SIZES, A 2 PIECE BACKSHELL ASSEMBLY (TYPE 2) IS SUPPLIED.

6. BACKSHELL MATES TO MIL-DTL-38999 SERIES I AND II - CLASS E AND T, MS27466, MS27467, MS27468, MS27472, MS27473, MS27474, MS27479, MS27480, MS27481, MS27484, MS27497, MS27652, MS27653, MS27656 CONNECTORS.

THIS DRAWING IS UNPUBLISHED. ALL RIGHTS RESERVED. COPYRIGHT 20 BY

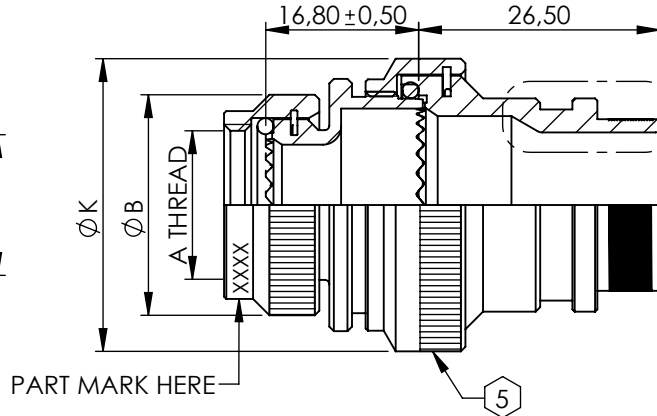
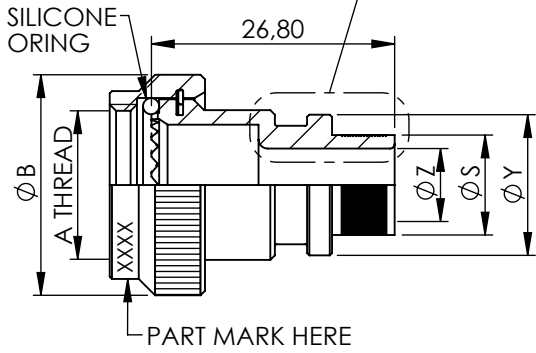
DIMENSIONS: <b>MILLIMETERS</b>	DWN: N.HAWKINS	22/01/2020	MATERIAL: SEE P/N BREAKDOWN	FINISH: SEE P/N BREAKDOWN
	CHK: R.STYLES	24/01/2020	<b>TE Connectivity</b>	
TOLERANCES UNLESS OTHERWISE SPECIFIED:	APVD: M.PAUL	24/01/2020		
GENERAL TOL LINEAR ±0.25MM ANGULAR ±1°	PRODUCT SPEC:	NAME:		
	MIL-DTL-38999 SERIES I & II	TINEL-LOCK BACKSHELL		
	APPLICATION SPEC:	SIZE	CAGE CODE	DRAWING NO
	-	A4	U5792	C=P31619
WEIGHT:	RESTRICTED TO			
CUSTOMER DRAWING	SCALE	1.5:1	SHEET	1 OF 3
			REV	AB

REVISIONS

ALTERNATIVE PROFILE

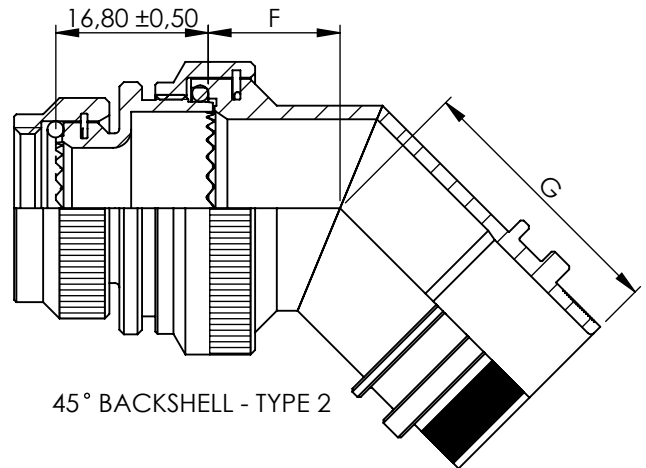
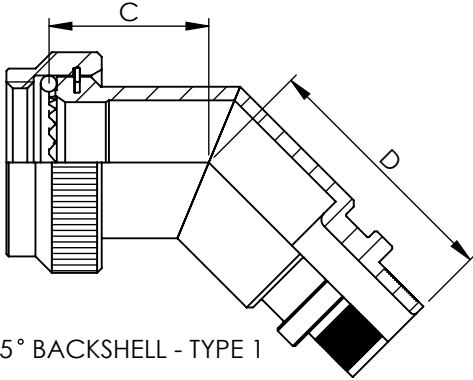
ALTERNATIVE PROFILE

IF MAX ENTRY IS EXCEEDED, BACKSHELL WILL BE SUPPLIED AS TYPE 2



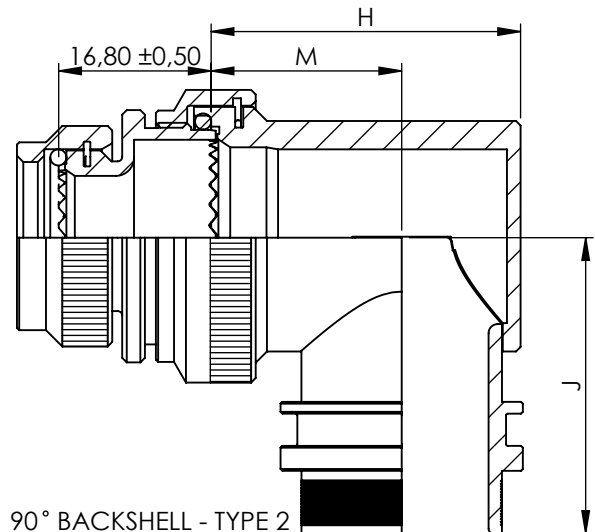
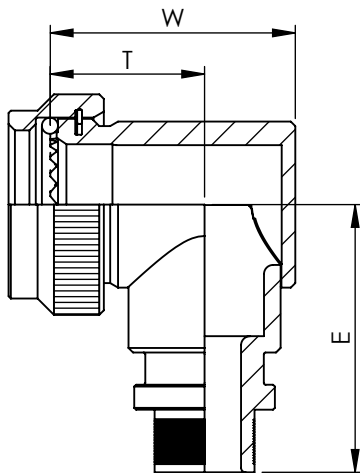
STRAIGHT BACKSHELL - TYPE 1

STRAIGHT BACKSHELL - TYPE 2



45° BACKSHELL - TYPE 1

45° BACKSHELL - TYPE 2



90° BACKSHELL - TYPE 1

90° BACKSHELL - TYPE 2

RELEASED FOR PUBLICATION

ALL RIGHTS RESERVED.

THIS DRAWING IS UNPUBLISHED.

© COPYRIGHT 20 BY

DIMENSIONS:  
MILLIMETERS

DWN: N.HAWKINS 22/01/2020  
CHK: R.STYLES 24/01/2020  
APVD: M.PAUL 24/01/2020

MATERIAL: SEE P/N BREAKDOWN

FINISH: SEE P/N BREAKDOWN

TOLERANCES UNLESS OTHERWISE SPECIFIED:



GENERAL TOL  
LINEAR ±0.04"  
ANGULAR ±1°

PRODUCT SPEC:  
MIL-DTL-38999  
SERIES I & II  
APPLICATION SPEC:

PART NUMBER:

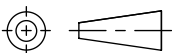
TXR41 SERIES

NAME:

TINEL-LOCK BACKSHELL

WEIGHT:

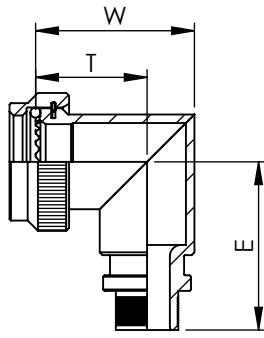
SIZE	CAGE CODE	DRAWING NO	RESTRICTED TO
A4	06090	©-P31619	



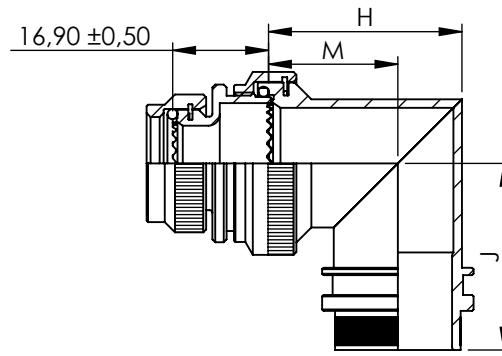
Customer Drawing

SCALE 1.2:1 SHEET 2 OF 3 REV AB

REVISIONS



90° BACKSHELL - TYPE 1  
STAINLESS STEEL AND  
NICKEL ALUMINIUM BRONZE



90° BACKSHELL - TYPE 2  
STAINLESS STEEL AND  
NICKEL ALUMINIUM BRONZE

TABLE 1

SHELL SIZE SERIES II	SHELL SIZE SERIES I	A THREAD	ØB MAX	MAX ENTRY	C ±0,5	D ±0,5	W ±0,5	T ±0,5	E ±0,5	THESE DIMENSIONS APPLY IF BACKSHELL IS STAINLESS STEEL OR NICKEL ALUMINIUM BRONZE		
										W ±0,5	T ±0,5	E ±0,5
08	09	7/16-28UNEF	18,3	04	16,4	26,8	21,0	14,0	26,20	21,3	16,4	26,4
10												
12	13	11/16-24UNEF	24,5	08	17,6	28,0	27,0	17,0	29,45	28,4	19,5	29,7
14												
16	17	15/16-20UNEF	30,8	12	19,2	29,7	34,0	21,0	32,70	34,3	22,8	32,9
18												
20	21	1 3/16-18UNEF	37,3	16	20,4	30,9	38,0	21,5	35,80	40,8	26,1	36,1
22												
24	25	1 7/16 -18UNEF	43,7	20	21,7	32,1	45,0	25,5	38,90	46,5	29,1	39,1
22												

TABLE 2

ENTRY SIZE	ØZ MIN	ØS	ØY Ø0,3	ØK MAX	F ±0,5	G ±0,5	H ±0,5	M ±0,5	J ±0,5	THESE DIMENSIONS APPLY IF BACKSHELL IS STAINLESS STEEL OR NICKEL ALUMINIUM BRONZE		
										H ±0,5	M ±0,5	J ±0,5
04	6,35	9,49 +/-0,04	14,0	NA	NA	NA	NA	NA	NA	NA	NA	NA
05	7,92	11,06 +/-0,04	15,5	21,0	12,5	27,5	24,0	15,5	27,95	24,3	17,2	28,2
06	9,53	12,66 +/-0,04	17,1	21,0	12,5	27,5	24,0	15,5	27,95	24,3	17,2	28,2
07	11,10	14,21 +/-0,07	18,7	21,0	12,5	27,5	24,0	15,5	27,95	24,3	17,2	28,2
08	12,70	15,81 +/-0,07	20,3	24,5	13,1	28,0	27,0	17,0	29,45	28,3	19,4	29,7
10	15,88	18,96 +/-0,08	23,5	29,0	13,5	29,0	31,0	19,5	31,00	31,1	21,0	31,2
12	19,05	22,14 +/-0,08	26,7	32,5	14,5	29,7	34,0	21,0	32,70	34,2	22,8	32,9
14	22,23	25,30 +/-0,08	29,8	35,5	15,5	30,5	35,0	20,0	34,25	38,5	25,3	34,5
16	25,40	28,48 +/-0,08	33,0	37,0	16,1	30,9	38,0	21,5	35,80	40,7	26,1	36,1
18	28,58	31,65 +/-0,08	36,2	40,0	16,5	31,1	42,0	24,0	37,40	43,7	27,6	37,6
20	31,75	34,83 +/-0,08	39,4	43,5	17,0	32,1	45,0	25,5	38,90	46,4	29,1	39,1
22	34,93	37,98 +/-0,08	42,5	48,5	18,5	35,3	54,5	31,0	42,00	50,0	31,0	42,0
24	38,10	41,15 +/-0,08	45,7	52,1	21,9	38,1	58,0	33,0	46,00	53,5	33,0	46,0

RELEASED FOR PUBLICATION

ALL RIGHTS RESERVED.

THIS DRAWING IS UNPUBLISHED.

BY COPYRIGHT 20

DIMENSIONS:  
MILLIMETERS

DWN: N.HAWKINS 22/01/2020

MATERIAL: SEE P/N BREAKDOWN

FINISH: SEE P/N BREAKDOWN

TOLERANCES UNLESS OTHERWISE SPECIFIED:

CHK: R.STYLES 24/01/2020



APVD: M.PAUL 24/01/2020

PART NUMBER:

TXR41 SERIES

GENERAL TOL  
LINEAR ±0.04"  
ANGULAR ±1°

PRODUCT SPEC:  
MIL-DTL-38999  
SERIES I & II

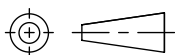
NAME:

TINEL-LOCK BACKSHELL

APPLICATION SPEC:

SIZE CAGE CODE DRAWING NO

RESTRICTED TO



WEIGHT:

A4 06090 C-P31619

Customer Drawing

SCALE 1:2:1

SHEET 3 OF 3

REV AB

# Mouser Electronics

Authorized Distributor

Click to View Pricing, Inventory, Delivery & Lifecycle Information:

[TE Connectivity:](#)

[298884-000](#)