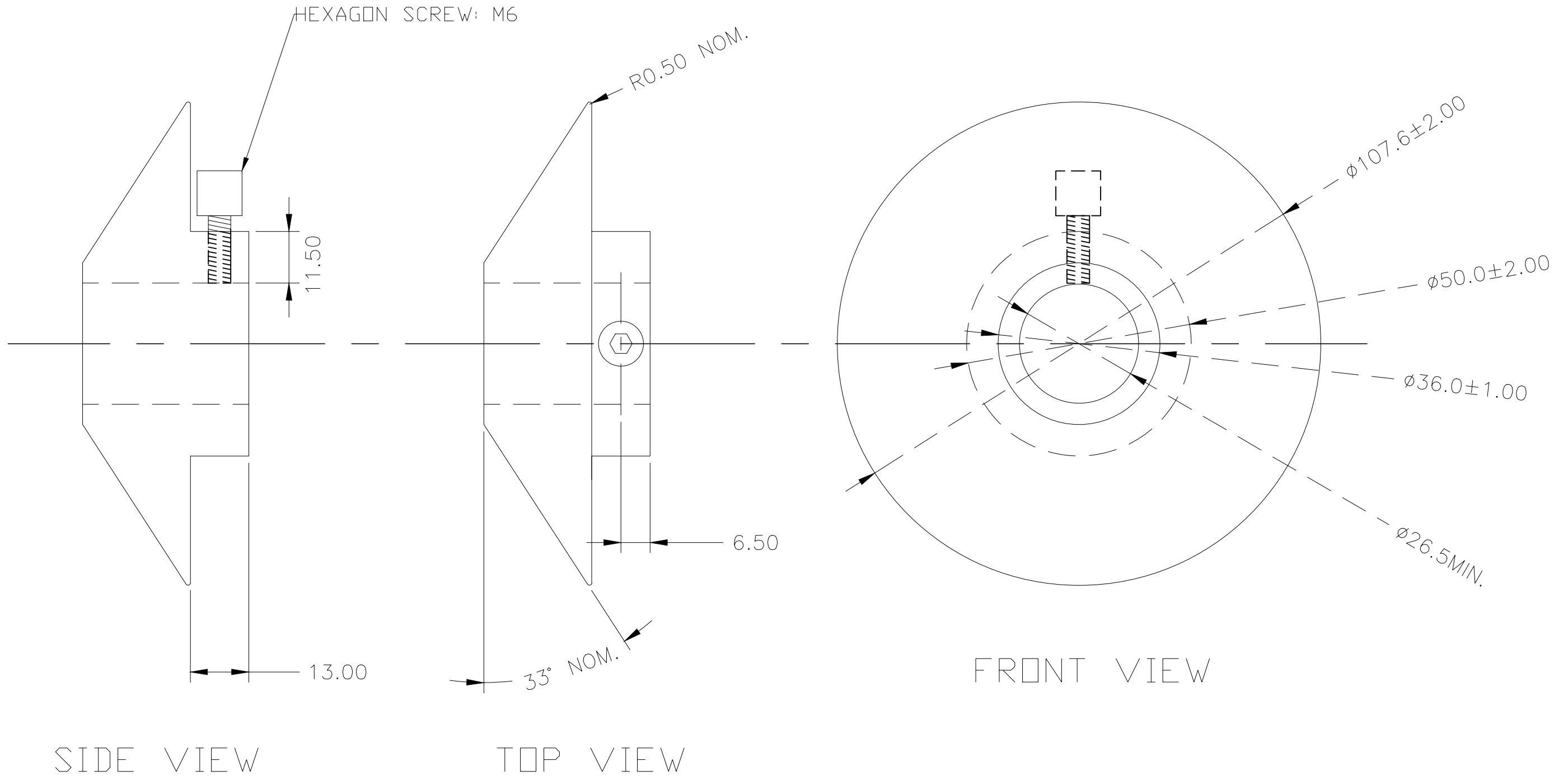


P	LTR	DESCRIPTION	DATE	DWN	APVD
	2	INITIAL CUSTOM DRAWING	15MAY2020	AFK	LS



NOTES: 1, SUPPLIED AS A PAIR  
2, TE PART No. EC9927-000

THIS DRAWING IS A CONTROLLED DOCUMENT.		DWN AFK	14MAY2020	<b>STE</b> TE Connectivity	
DIMENSIONS: mm		CHK -	-		
TOLERANCES UNLESS OTHERWISE SPECIFIED:		APVD LS	15MAY2020	NAME PRINTER-UNIVERSAL-REEL-HOLDER-ADAPTORS	
0 PLC ± -		PRODUCT SPEC		-	
1 PLC ± -		APPLICATION SPEC		-	
2 PLC ± 0.50		WEIGHT		SIZE	CAGE CODE
3 PLC ± -		360g		A3	FB1U7
4 PLC ± -		CUSTOMER DRAWING		DRAWING NO C=MCD-200010	
ANGLES ± -		SCALE		RESTRICTED TO	
FINISH -		NTS		-	
MATERIAL PLASTIC		SHEET		1 OF 1	
		REV		2	

# Mouser Electronics

Authorized Distributor

Click to View Pricing, Inventory, Delivery & Lifecycle Information:

[TE Connectivity:](#)

[EC9927-000](#)