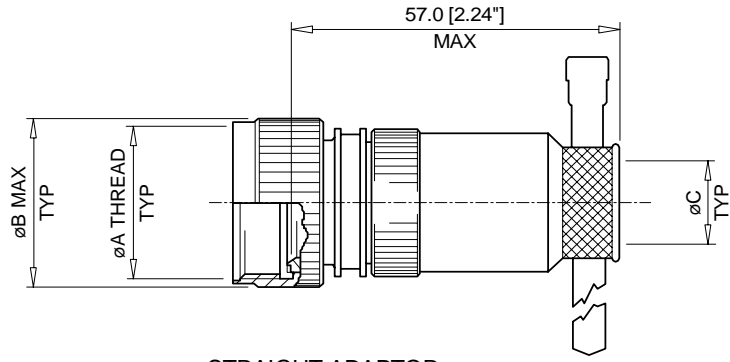
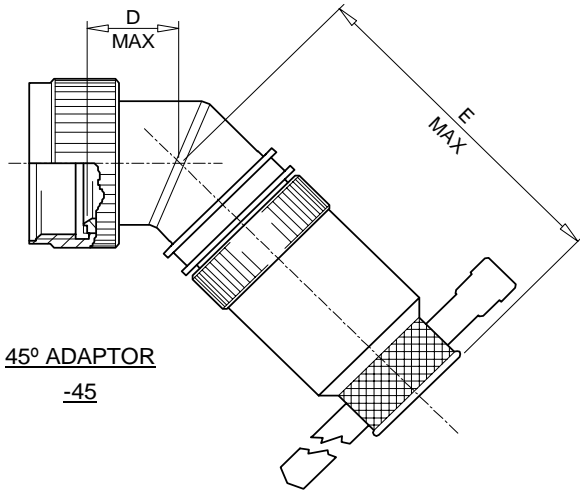
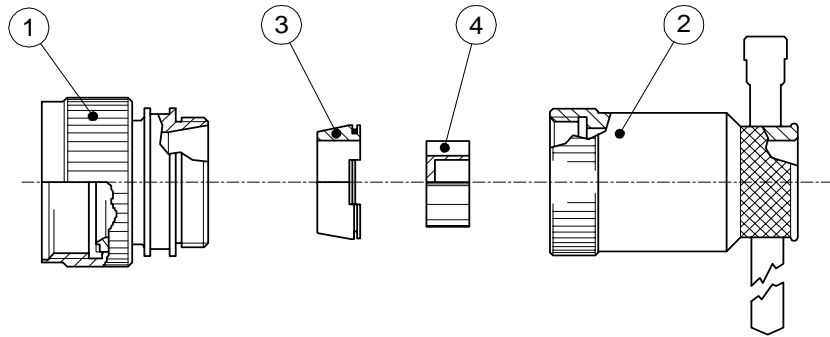


SPECIFICATION CONTROL DRAWING

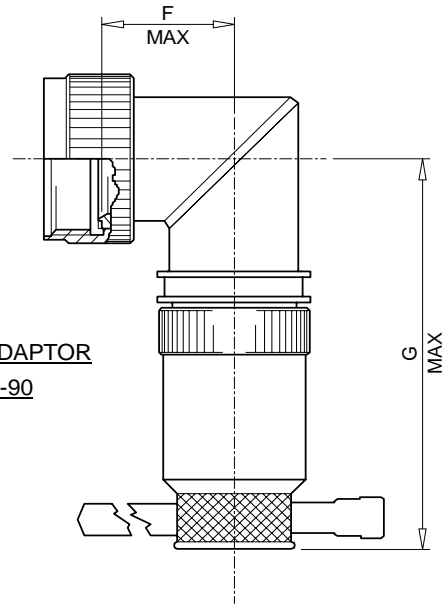
REV: B	Date: AUG 17, 2006
------------------	-----------------------



STRAIGHT ADAPTOR
-00



45° ADAPTOR
-45



90° ADAPTOR
-90

© 2006 Tyco Electronics Corporation. All rights reserved.

		Raychem Wire and Harnessing Products a Division of Tyco Electronics 300 Constitution Drive Menlo Park, CA 94025 USA	TITLE: HEXASHIELD ADAPTOR FOR CODE 54 CONNECTORS-BANDSTRAP CLAMPING NUT
Wire and Harnessing Products		UNLESS OTHERWISE SPECIFIED DIMENSIONS ARE IN MILLIMETERS. INCH DIMENSIONS ARE SHOWN IN BRACKETS	
This drawing and the information set forth hereon is the property of Tyco Electronics and is to be held in trust and confidence. Publication, duplication, disclosure or use for any other purpose not expressly authorized in writing by Tyco Electronics is prohibited.		DOCUMENT NO. HEX54-AY-YY-YY-AYY-3-YY	
DRAWN: CRJ	Date: Drawn MAR 00	Tyco Electronics reserves the right to amend this drawing at any time. Users should evaluate the suitability of the product for their application.	
FILE / DCR# D060256	SCALE: NONE	SHEET: 1 OF 4	

If this document is printed it becomes uncontrolled. Check for the latest revision.

SPECIFICATION CONTROL DRAWING

REV: B	Date: AUG 17, 2006
---------------	--------------------

KIT DESCRIPTION

ITEM	DESCRIPTION	MATERIAL
1	BODY ASSEMBLY	ALUMINIUM ALLOY
2	CLAMPING NUT ASSEMBLY – BANDSTRAP	ALUMINIUM ALLOY/STAINLESS STEEL
3	CONIC RING	ALUMINIUM ALLOY
4	STAR	ALUMINIUM ALLOY

TABLE OF DIMENSIONS

Order Number	Shell Size (see overleaf)		øA Thread UNF/UNEF-2B	øB Max	øC ±0.10 [±.004"]	D Max	E Max	F Max	G Max	Ferrule Quantity	
	Type A	Type B								Std.	Opt.
09	08	N/A	0.5000"-20	18.5 [0.73"]	8.00 [0.315"]	12.5 [0.49"]	55.5 [2.17"]	16.0 [0.63"]	57.0 [2.24"]	1	-
11	10	N/A	0.6250"-24	22.5 [0.88"]	13.50 [0.531"]	13.0 [0.51"]	56.0 [2.20"]	17.5 [0.69"]	58.5 [2.30"]	2	-
13	12	07	0.7500"-20	25.5 [1.00"]	15.00 [0.591"]	14.0 [0.55"]	56.5 [2.22"]	19.0 [0.75"]	61.5 [2.42"]	3	-
15	14	12	0.8750"-20	30.5 [1.20"]	18.00 [0.709"]	14.5 [0.57"]	57.5 [2.26"]	20.5 [0.81"]	63.5 [2.50"]	5	-
17	16	19	1.0000"-20	33.5 [1.32"]	21.00 [0.827"]	15.0 [0.59"]	58.0 [2.28"]	22.0 [0.87"]	65.0 [2.56"]	6	7
19	18	27	1.0625"-18	37.5 [1.48"]	24.00 [0.945"]	15.5 [0.61"]	58.5 [2.30"]	23.5 [0.93"]	66.0 [2.60"]	7	-
21	20	37	1.1875"-18	38.5 [1.52"]	27.00 [1.063"]	16.5 [0.65"]	59.0 [2.32"]	25.5 [1.00"]	67.5 [2.66"]	9	11
23	22	N/A	1.3125"-18	41.5 [1.63"]	30.00 [1.181"]	17.0 [0.67"]	60.0 [2.36"]	27.0 [1.06"]	69.5 [2.74"]	10	13
25	24	N/A	1.4375"-18	46.5 [1.83"]	33.00 [1.299"]	18.0 [0.71"]	61.0 [2.40"]	28.5 [1.12"]	71.0 [2.80"]	12	17

PART NUMBERING

HEX54 - A B - 00 - 21 - A9 - 3 - DS

- CONNECTOR CODE NUMBER _____
HEX54 = SEE APPLICATIONS OVERLEAF
- MATERIAL CODE: _____
A = ALUMINIUM ALLOY
- PLATING CODE: _____
B = CADMIUM OLIVE DRAB TO QQ-P416
C = ELECTROLESS NICKEL TO MIL-C-26074
- BODY STYLE _____
00 = STRAIGHT
45 = 45°
90 = 90°
- ORDER NUMBER _____
- FERRULE QUANTITY CODE _____
- 3 = BANDSTRAP CLAMPING NUT _____
- DS = DRILLED STAR - OPTIONAL - SEE NOTE 2 _____

<p>Wire and Harnessing Products</p>	Raychem Wire and Harnessing Products a Division of Tyco Electronics 300 Constitution Drive Menlo Park, CA 94025 USA	TITLE: HEXASHIELD ADAPTOR FOR CODE 54 CONNECTORS-BANDSTRAP CLAMPING NUT
UNLESS OTHERWISE SPECIFIED DIMENSIONS ARE IN MILLIMETERS. INCH DIMENSIONS ARE SHOWN IN BRACKETS	This drawing and the information set forth hereon is the property of Tyco Electronics and is to be held in trust and confidence. Publication, duplication, disclosure or use for any other purpose not expressly authorized in writing by Tyco Electronics is prohibited.	DOCUMENT NO. HEX54-AY-YY-YY-AYY-3-YY
DRAWN: CRJ Date: Drawn MAR 00	Tyco Electronics reserves the right to amend this drawing at any time. Users should evaluate the suitability of the product for their application.	FILE / DCR# D060256 SCALE: NONE SHEET: 2 OF 4

SPECIFICATION CONTROL DRAWING

REV: B	Date: AUG 17, 2006
------------------	-----------------------

APPLICATION

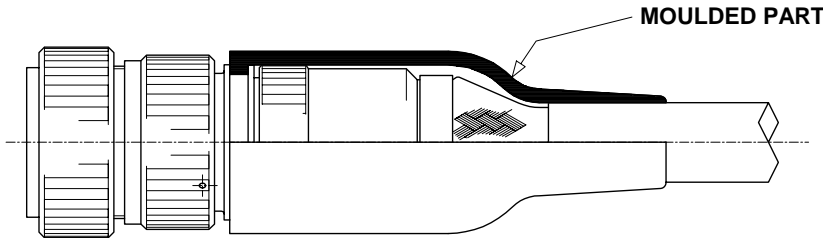
- These adaptors are designed to be mounted on the following connectors:

- MIL-C-26482 Series II)
 - Shell Size Type A

- MIL-C-83723 Series I and III)
 - MIL-C-5015)
 - HE312)

- MIL-C-81703 Series III)
 - HE312) Shell Size Type B
 - DBAD)

- They are qualified to the Raychem specification RB-114, when installed on metallic Mil-Specification circular connectors only.
- They are designed primarily for open wire bundle installation having an overall braid, but are also designed to accept Raychem heat shrink moulded parts where strain relief is required – see illustration.



- Use in conjunction with the ferrules HET-A-0XX, which are purchased separately. Refer to HET-A-0XX S.C.D. for relevant selection details.

INSTALLATION

- See Installation Procedure RPIP-696-04.

PACKAGING

- All components are supplied in a plastic bag.

NOTES!

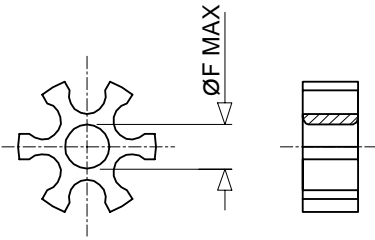
1. Item 4 - Star - is **not** supplied with Hexashield Order Number 09.
2. The DS option, illustrated below, is for a Drilled Star that is available on sizes 15 to 25 only. This option is to allow unshielded wires to pass through the assembly.

		Raychem Wire and Harnessing Products a Division of Tyco Electronics 300 Constitution Drive Menlo Park, CA 94025 USA		TITLE: HEXASHIELD ADAPTOR FOR CODE 54 CONNECTORS-BANDSTRAP CLAMPING NUT	
UNLESS OTHERWISE SPECIFIED DIMENSIONS ARE IN MILLIMETERS. INCH DIMENSIONS ARE SHOWN IN BRACKETS		This drawing and the information set forth hereon is the property of Tyco Electronics and is to be held in trust and confidence. Publication, duplication, disclosure or use for any other purpose not expressly authorized in writing by Tyco Electronics is prohibited.		DOCUMENT NO. HEX54-AY-YY-YY-AYY-3-YY	
DRAWN: CRJ	Date: Drawn MAR 00	Tyco Electronics reserves the right to amend this drawing at any time. Users should evaluate the suitability of the product for their application.		FILE / DCR# D060256	SCALE: NONE
				SHEET: 3 OF 4	

If this document is printed it becomes uncontrolled. Check for the latest revision.

SPECIFICATION CONTROL DRAWING

REV: B	Date: AUG 17, 2006
------------------	-----------------------

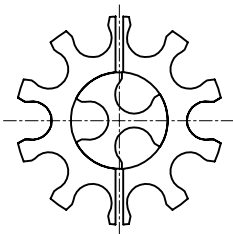


STAR SIZE	15	17	19	21	23	25
ØD MAX	3.0	6.0	9.0	12.0	15.0	18.0
	[0.12"]	[0.24"]	[0.35"]	[0.47"]	[0.59"]	[0.71"]

NOTES!

3. Where the ferrule quantities required are standard, the item 4 - Star - is also standard.
 If the optional quantity is selected then 2 items 4 will be supplied - one "split" and the other one standard.
 See below for illustration.

EXAMPLE: FERRULE QUANTITY CODE -A13
 -A13 = -A10 SPLIT STAR + -A3 STANDARD STAR



4. Assembly is to be permanently marked with Code Identity Number and Part Number.
 (e.g. 06090 HEX54-AB-00-21-A9-3)

<p>Wire and Harnessing Products</p>		Raychem Wire and Harnessing Products a Division of Tyco Electronics 300 Constitution Drive Menlo Park, CA 94025 USA		TITLE: HEXASHIELD ADAPTOR FOR CODE 54 CONNECTORS-BANDSTRAP CLAMPING NUT		
UNLESS OTHERWISE SPECIFIED DIMENSIONS ARE IN MILLIMETERS. INCH DIMENSIONS ARE SHOWN IN BRACKETS		This drawing and the information set forth hereon is the property of Tyco Electronics and is to be held in trust and confidence. Publication, duplication, disclosure or use for any other purpose not expressly authorized in writing by Tyco Electronics is prohibited.		DOCUMENT NO. HEX54-AY-YY-YY-AYY-3-YY		
DRAWN: CRJ	Date: Drawn MAR 00	Tyco Electronics reserves the right to amend this drawing at any time. Users should evaluate the suitability of the product for their application.		FILE / DCR# D060256	SCALE: NONE	SHEET: 4 OF 4

Mouser Electronics

Authorized Distributor

Click to View Pricing, Inventory, Delivery & Lifecycle Information:

[TE Connectivity:](#)

[625786-000](#)