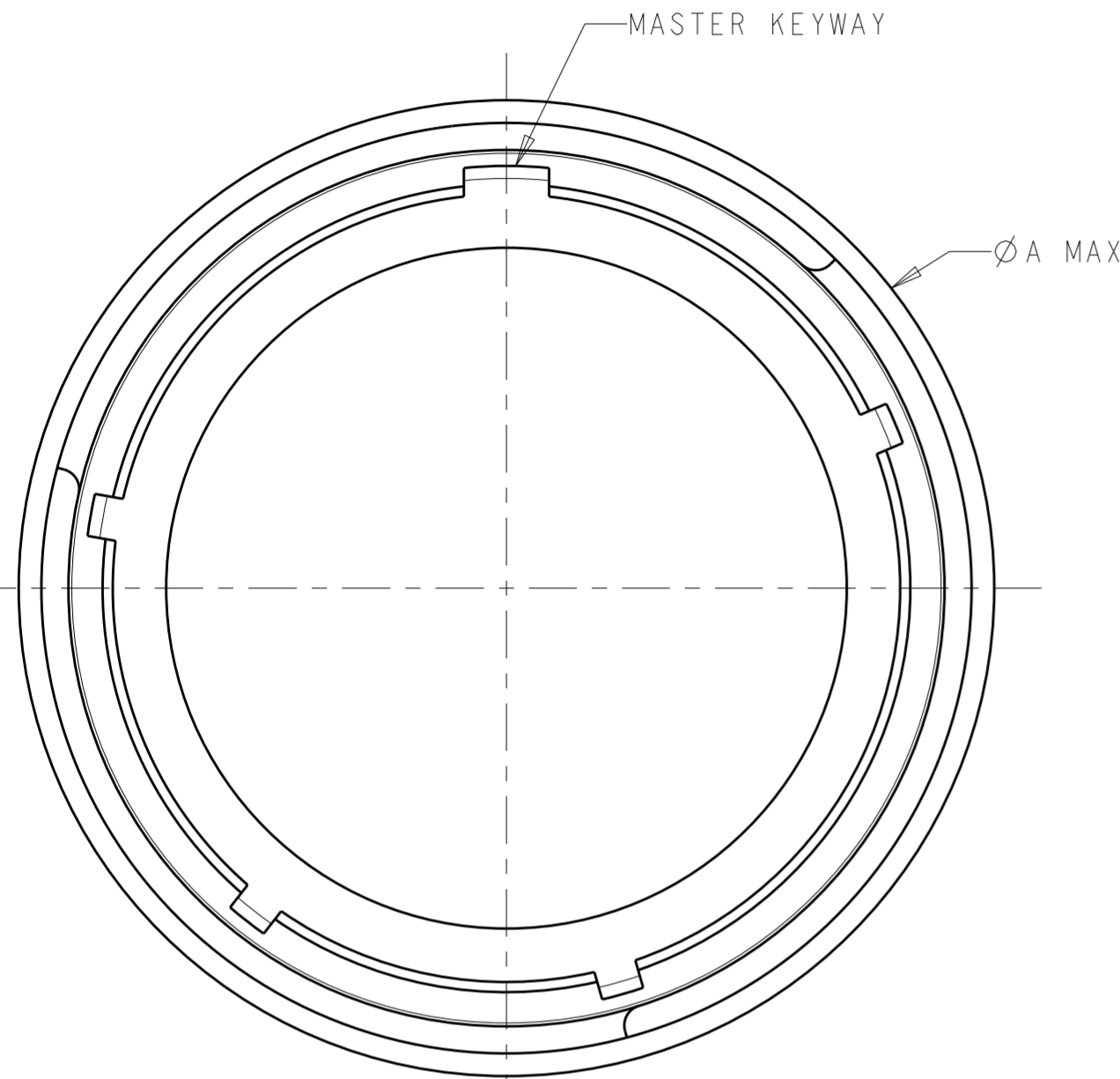
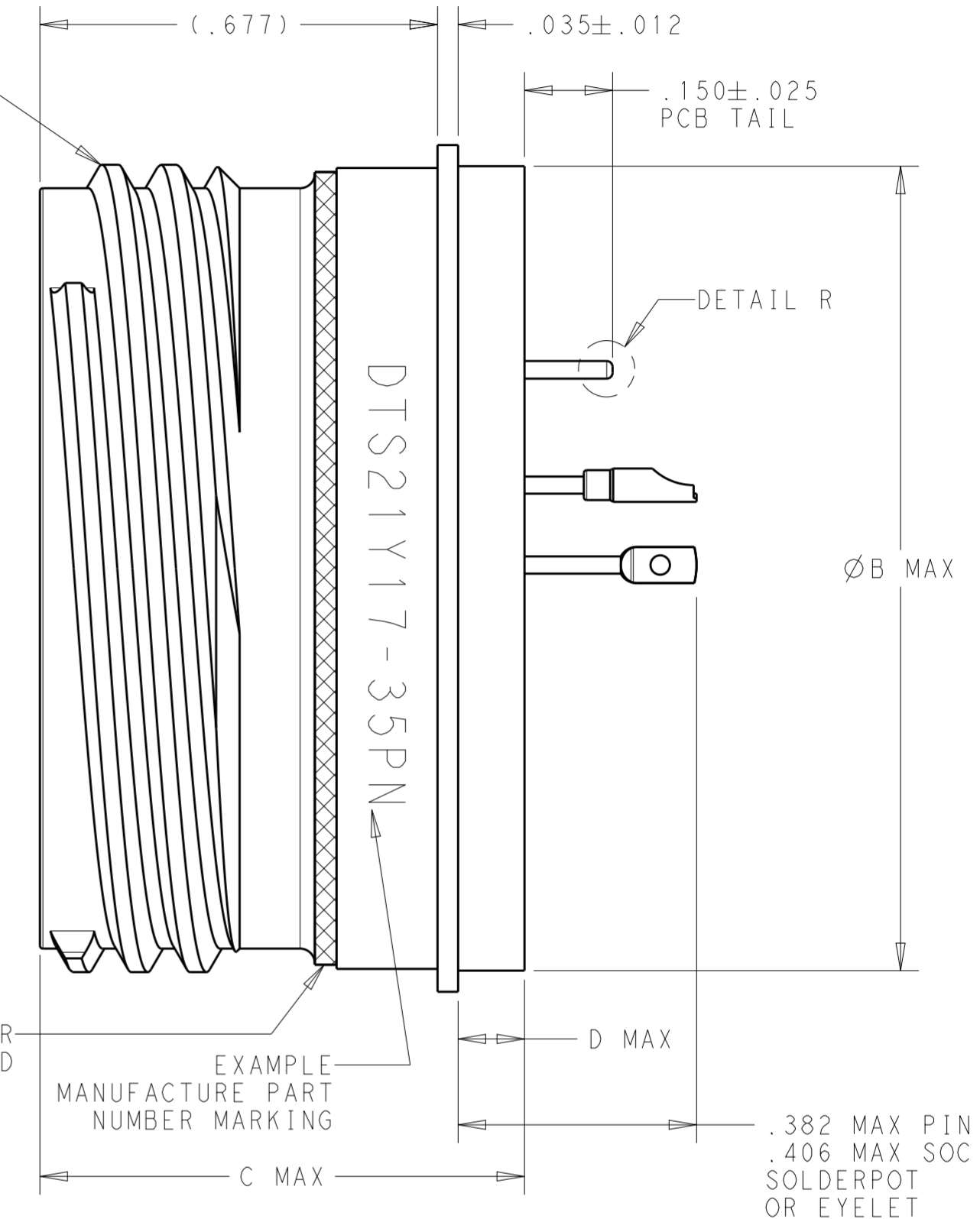
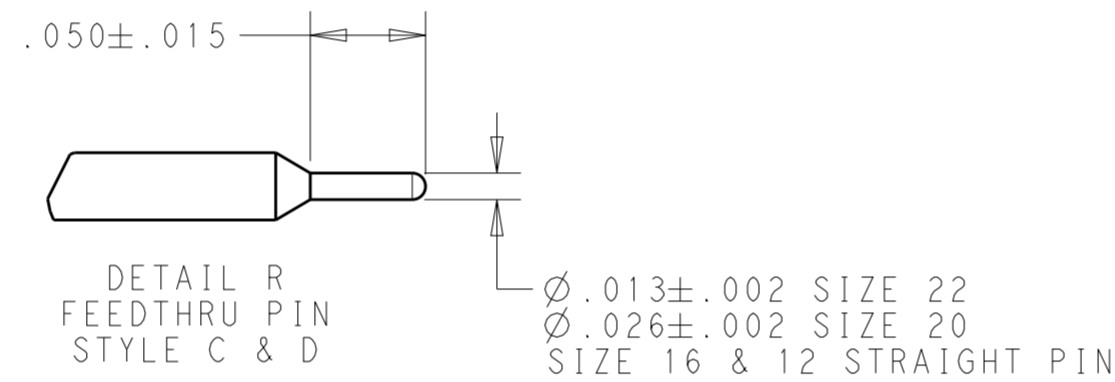


REVISIONS					
P	LTR	DESCRIPTION	DATE	DWN	APVD
A		REVISED PER ECO-19-004583	26MAR2019	JM	EO
B		REVISED PER ECO-19-013635	05SEP2019	JM	EO

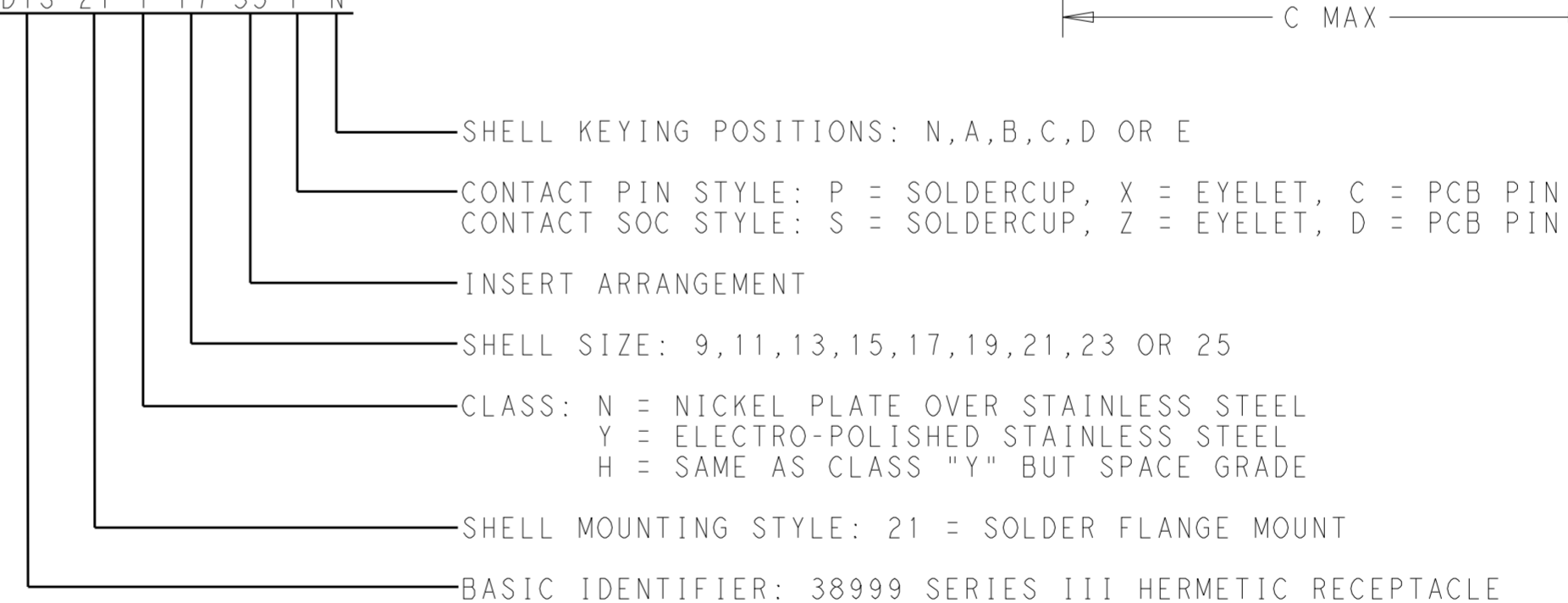


STUB 60° MOD
TRIPLE START THREAD
"E"-.1P-.3L CLASS 2A
(SEE COLUMN "E THREAD")



SHELL SIZE	A	B	C	D	E THREAD
9	.764	.673	.937	.201	.6250
11	.858	.783	.937	.201	.7500
13	.980	.909	.937	.201	.8750
15	1.106	1.031	.937	.201	1.0000
17	1.232	1.157	.937	.201	1.1875
19	1.323	1.252	.937	.201	1.2500
21	1.449	1.378	.937	.201	1.3750
23	1.575	1.504	.968	.232	1.5000
25	1.701	1.626	.968	.232	1.6250

PART NUMBER BREAKDOWN: DTS 21 Y 17-35 P N



MC: 72	FINISH: SEE NOTE 4
DESCRIPTION: CONNECTOR, RECEPTACLE HERMETIC PIN UNIT SOLDER FLANGE MOUNT THREAD COUPLING MILD-DTL-38999/25 ENVELOPE	
CAGE CODE: 11139	

- DIMENSIONS ARE IN INCHES UNLESS OTHERWISE NOTED.
- INSERT ARRANGEMENT CONFORMS TO MIL-STD-1560.
- THE INSERT ARRANGEMENT DOES NOT ROTATE WITH MASTER KEYWAY.
- FINISH: SHELL - ELECTRO POLISH
PIN CONTACTS - GOLD OVER NICKEL
- MATERIAL: SHELL - 300 SERIES STAINLESS STEEL
PIN CONTACTS - HIGH NICKEL IRON ALLOY OR EQUIVALENT
GLASS - COMPRESSION GLASS
PIN INSERT & INTERNAL SEAL - FLUOROSILICONE ELASTOMER
- MATES WITH DTS26 SERIES PLUG CONNECTOR.
- CONNECTOR MEETS REQUIREMENTS OF MIL-DTL-38999 SERIES III.
- CONSULT CUSTOMER SERVICE FOR ARRANGEMENT AVAILABILITY.

THIS DRAWING IS A CONTROLLED DOCUMENT.		DWN: 25MAR2019 JUAN MONTEMAYOR	TE Connectivity	
DIMENSIONS: in		CHK: 25MAR2019 ENRIQUE OCHOA	CONNECTOR, RECEPTACLE	
TOLERANCES UNLESS OTHERWISE SPECIFIED:		APVD: 25MAR2019 ENRIQUE OCHOA	NAME	
0 PLC ±.1 1 PLC ±.1 2 PLC ±.02 3 PLC ±.005 4 PLC ±.0005 ±.5°		PRODUCT SPEC	SIZE CAGE CODE DRAWING NO RESTRICTED TO	
MATERIAL SEE NOTE 5		FINISH SEE NOTE 4	A2 11139 C-DTS21xxx-xxxx	
CUSTOMER DRAWING		SCALE 6:1	SHEET 1 OF 1 REV B	

Mouser Electronics

Authorized Distributor

Click to View Pricing, Inventory, Delivery & Lifecycle Information:

[TE Connectivity:](#)

[YDTS21N15-19PNV001](#)