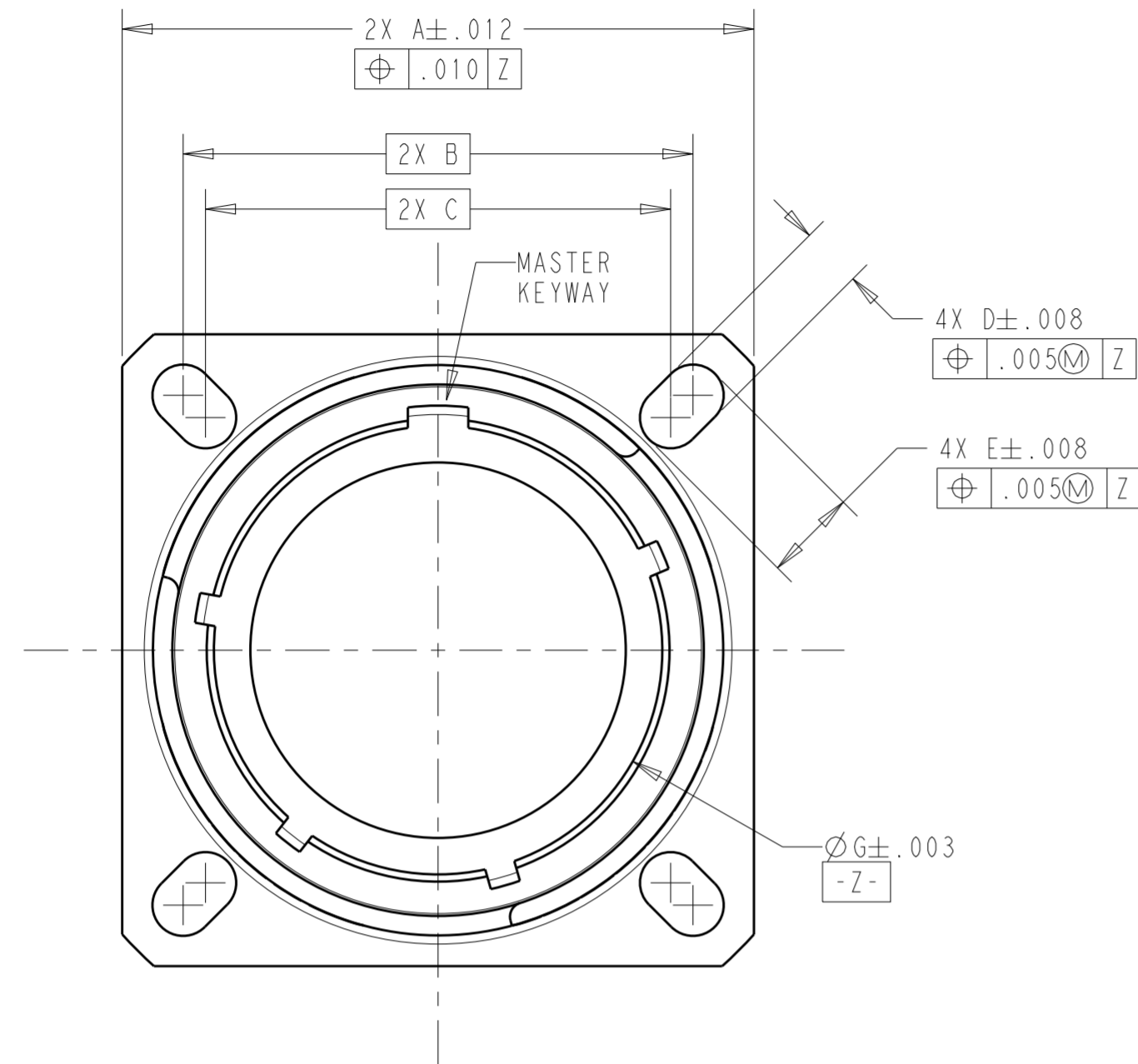
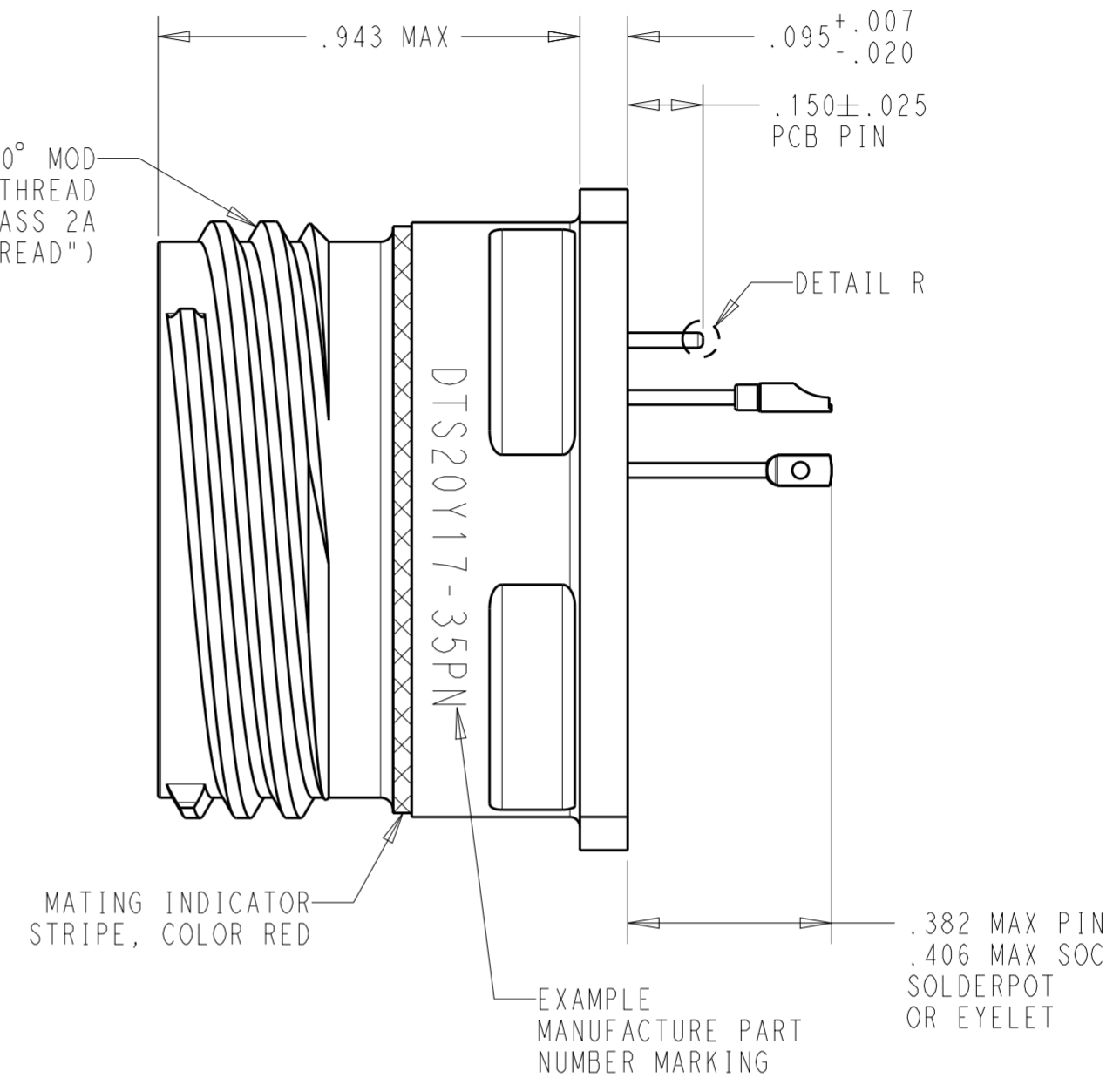


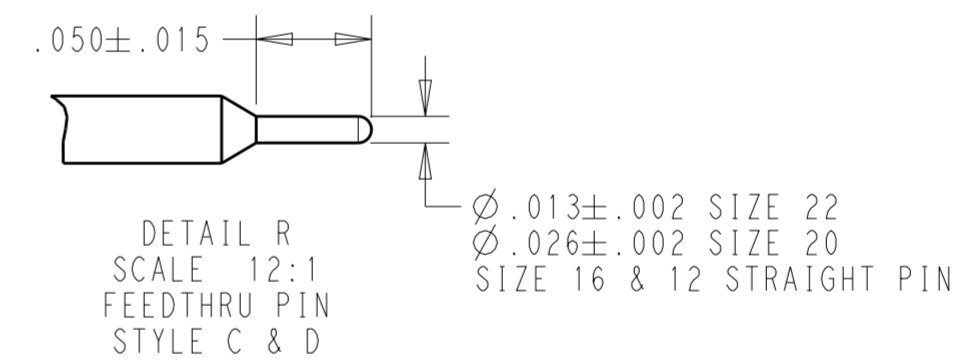
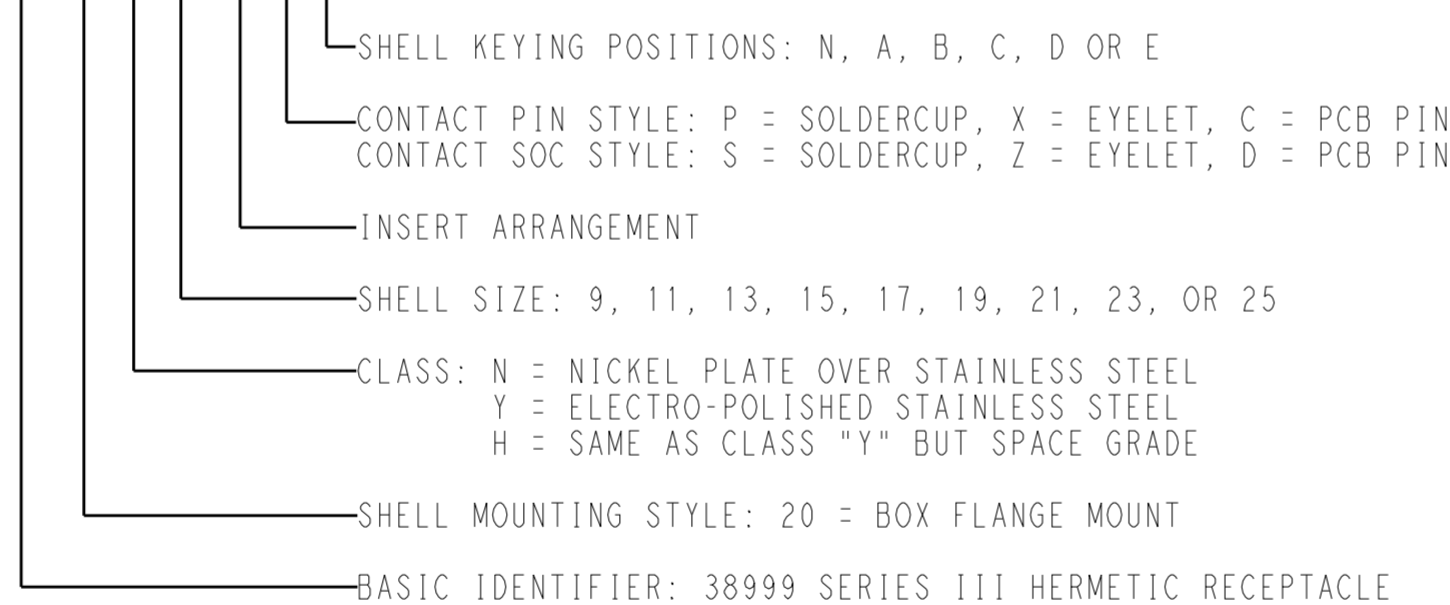
| REVISIONS | | | | | |
|-----------|-----|---------------------------|-----------|-----|------|
| P | LTR | DESCRIPTION | DATE | DWN | APVD |
| B | | REVISED PER ECO-19-013635 | 05SEP2019 | JM | EO |



STUB 60° MOD
TRIPLE START THREAD
"F"-.1P-.3L CLASS 2A
(SEE COLUMN "F THREAD")



PART NUMBER BREAKDOWN: DTS 20 Y 17-35 P N



- DIMENSIONS ARE INCHES UNLESS OTHERWISE NOTED
- INSERT ARRANGEMENT CONFORMS TO MIL-STD-1560
- LEAK RATE: <IE-8 cc/sec He @ 1 atm
- FINISH: SHELL - STAINLESS STEEL
PIN CONTACTS - HIGH NICKEL IRON ALLOY OR EQUIVALENT
GLASS - COMPRESSION GLASS
PIN INSERT & INTERNAL SEAL - FLUOROSILICONE ELASTOMER
- MATERIAL: SHELL - STAINLESS STEEL
PIN CONTACTS - HIGH NICKEL IRON ALLOY OR EQUIVALENT
GLASS - COMPRESSION GLASS
PIN INSERT & INTERNAL SEAL - FLUOROSILICONE ELASTOMER
- MATES WITH DTS26 SERIES PLIUG CONNECTOR
- CONNECTOR MEETS REQUIREMENT OF MIL-STL-38999 SERIES III
- CONSULT CUSTOMER SERVICE FOR ARRANGEMENT AVAILABILITY
- MOUNYING INFORMATION: DIMENSION "B" FRONT OR REAR PANEL MOUNT
DIMENSION "C" FRONT PANEL MOUNT ONLY

| SHELL SIZE | A | B | C | D | E | F THREAD | G |
|------------|-------|-------|-------|------|------|----------|-------|
| 9 | .937 | .719 | .594 | .128 | .216 | .6250 | .444 |
| 11 | 1.032 | .812 | .719 | .128 | .194 | .7500 | .572 |
| 13 | 1.126 | .906 | .812 | .128 | .194 | .8750 | .684 |
| 15 | 1.221 | .969 | .906 | .128 | .173 | 1.0000 | .808 |
| 17 | 1.311 | 1.062 | .969 | .128 | .194 | 1.1875 | .934 |
| 19 | 1.437 | 1.156 | 1.062 | .128 | .194 | 1.2500 | 1.039 |
| 21 | 1.563 | 1.250 | 1.156 | .128 | .194 | 1.3750 | 1.164 |
| 23 | 1.689 | 1.375 | 1.250 | .154 | .242 | 1.5000 | 1.289 |
| 25 | 1.811 | 1.500 | 1.375 | .154 | .242 | 1.6250 | 1.414 |

| | |
|--|-----------------|
| MC: 72 | FINISH: |
| DESCRIPTION: CONNECTOR, RECEPTACLE | |
| HERMETIC SQUARE FLANGE MOUNT THREAD COUPLING MIL-DTL-38999/21 | |
| ENVELOPE | |
| CP | CAGE CODE 11139 |
| PART TO HAVE NO BURRS OR SHARP EDGES | |

| | | | | | | |
|--|--|----------------------------------|---------------------|---|--|--|
| THIS DRAWING IS A CONTROLLED DOCUMENT. | | DWN 05SEP2019 JUAN MONTEMAYOR | TE Connectivity | NAME CONNECTOR, RECEPTACLE | | |
| DIMENSIONS: in | | CHK 05SEP2019 ENRIQUE OCHOA | | SIZE CAGE CODE DRAWING NO RESTRICTED TO | | |
| TOLERANCES UNLESS OTHERWISE SPECIFIED: 0 PLC ±.1 1 PLC ±.02 2 PLC ±.005 3 PLC ±.0005 4 PLC ±.0005 ±.5° ANGLES FINISH | | APVD 05SEP2019 ENRIQUE OCHOA | | A2 11139 C-DTS20XXX-XXXX | | |
| MATERIAL SEE NOTE 5 | | PRODUCT SPEC APPLICATION SPEC | | SCALE 6:1 SHEET 1 OF 1 REV B | | |
| | | WEIGHT | CUSTOMER DRAWING | | | |

Mouser Electronics

Authorized Distributor

Click to View Pricing, Inventory, Delivery & Lifecycle Information:

[TE Connectivity:](#)

[ZPF000000000105268](#)