

THIS DRAWING IS UNPUBLISHED.

RELEASED FOR PUBLICATION

REVISIONS

© COPYRIGHT - TE Connectivity Ltd.

ALL RIGHTS RESERVED.

P	LTR	DESCRIPTION	DATE	DWN	APVD
	A	INITIAL DRAWING	17SEP2019	VM	JR

### Product Specifications for K62A, K62B and K62C

#### Contact Arrangement —

- K62A — SPST-NO
- K62B — STST-NC
- K62C — SPDT

#### Contact Form —

- K62A — A
- K62B — B
- K62C — C

#### Test Voltage, DC or 60 Hz (Peak) —

30 kV

#### Rated Operating Voltage (Peak) —

DC or 60 Hz — 25 kV

#### Continuous Carry Current, Max. —

- DC or 60 Hz — 18 A
- Coil Hi-Pot (Vrms, 60 Hz) — 500 A

#### Contact Resistance, Max. —

0.50 ohm

#### Operate Time, Max. — 15 ms

#### Release Time, Max. — 15 ms

### Shock, 11ms, 1/2 Sine (Peak) —

20 g

#### Vibration —

Peak — 10 g (55 to 500 Hz)

#### Operating Ambient Temperature Range —

-55°C to +85°C

#### Mechanical Life —

1 million cycles

#### Weight, Nominal —

340 g (12 oz.)

#### Coil Data

Volts, Nominal DC	12 V	26.5 V	115 V
Pickup, Max.	9 Vdc	18 Vdc	90 Vdc
Dropout	.5-5 Vdc	1-10 Vdc	5-55 Vdc
Coil Resistance (±10%)	30 Ω	125 Ω	2400 Ω

Ratings listed are for 25°C, sea level conditions

### Ordering Information

#### Sample Part Number ►

K62 A 7 4 1

#### Series: —

**Contact Form:** —  
 A = SPST-NO    B = SPST-NC    C = SPDT

#### Coil Voltage: —

- 7 = 12 Vdc, Turret Terminal
- 8 = 26.5 Vdc, Turret Terminal
- 9 = 115 Vdc, Turret Terminal

#### High Voltage Connections: —

- 4 = Flying Leads, 12"
- 7 = Flying Leads, 72"
- 8 = Flying Leads, 36"

#### Mounting: —

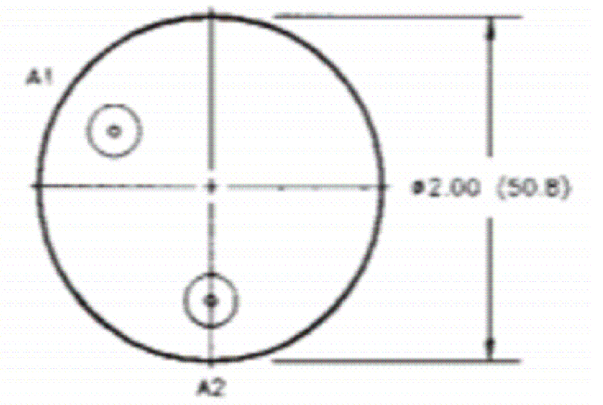
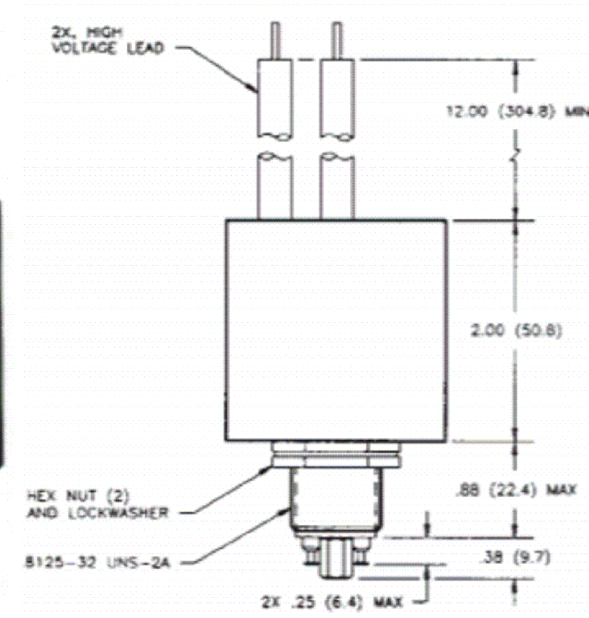
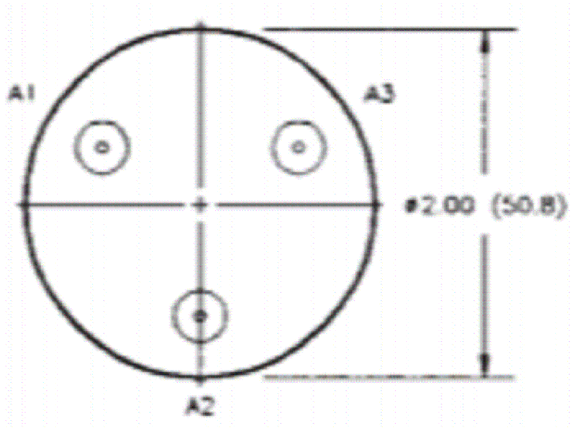
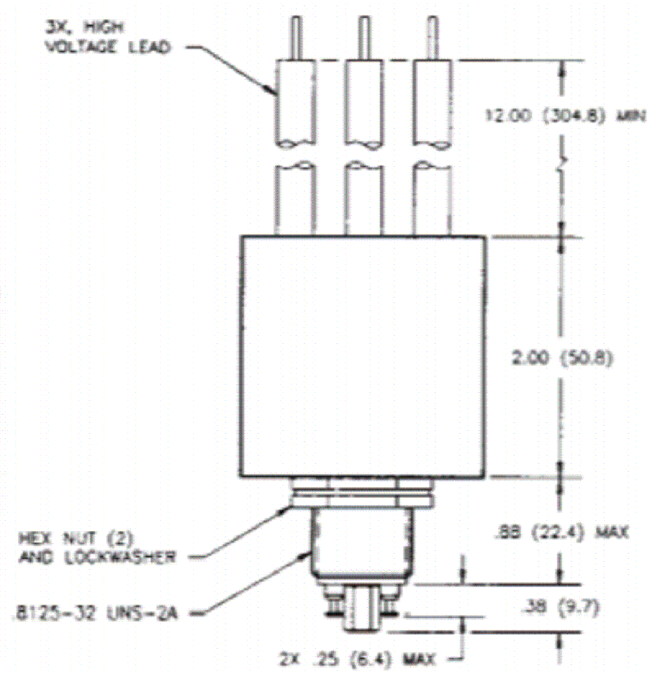
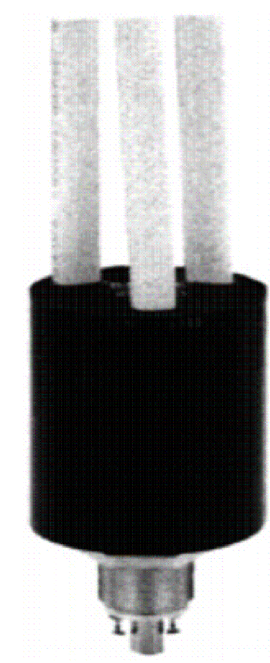
- 1 = Threaded

### K62A and K62B Product Facts

- 25 kV relay with flying leads for ease of installation
- Vacuum dielectric and tungsten contacts for power switching low current loads
- Meets requirements of MIL-R-83725

### K62C Product Facts

- SPDT version of K62
- Vacuum dielectric for power switching low current loads
- Carries 18 Amps continuous current
- Meets requirements of MIL-R-83725



ALL DIMENSIONS ARE IN INCHES(MM)

THIS DRAWING IS A CONTROLLED DOCUMENT.		DWN VM 17SEP2019	TE Connectivity		
		CHK RV 17SEP2019			
DIMENSIONS: INCHES		APVD JR 17SEP2019	NAME		
		PRODUCT SPEC	K62 SERIES MAKE AND BREAK LOAD SWITCHING		
TOLERANCES UNLESS OTHERWISE SPECIFIED:		APPLICATION SPEC	RESTRICTED TO		
0 PLC ± -		—	SIZE	CAGE CODE	DRAWING NO
1 PLC ± -		—	A3	—	©-K62-SERIES
2 PLC ± -		—	WEIGHT	—	—
3 PLC ± -		—	CUSTOMER DRAWING		
4 PLC ± -		—	SCALE	SHEET	REV
ANGLES ± -		—	NTS	1 OF 1	A
MATERIAL		FINISH			
-		-			

# Mouser Electronics

Authorized Distributor

Click to View Pricing, Inventory, Delivery & Lifecycle Information:

[TE Connectivity:](#)

[6-1618404-0](#)