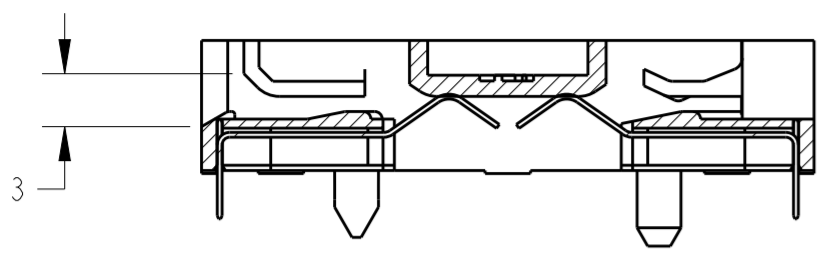


THIS DRAWING IS UNPUBLISHED. RELEASED FOR PUBLICATION  
 © COPYRIGHT - ALL RIGHTS RESERVED.

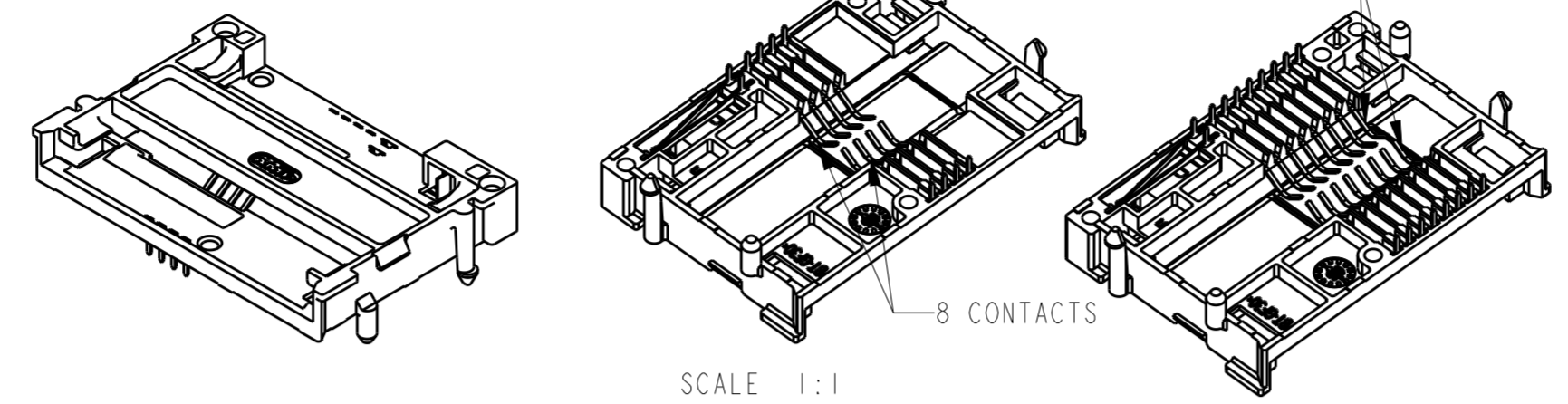
PN 5953398-1

PN 5953398-2

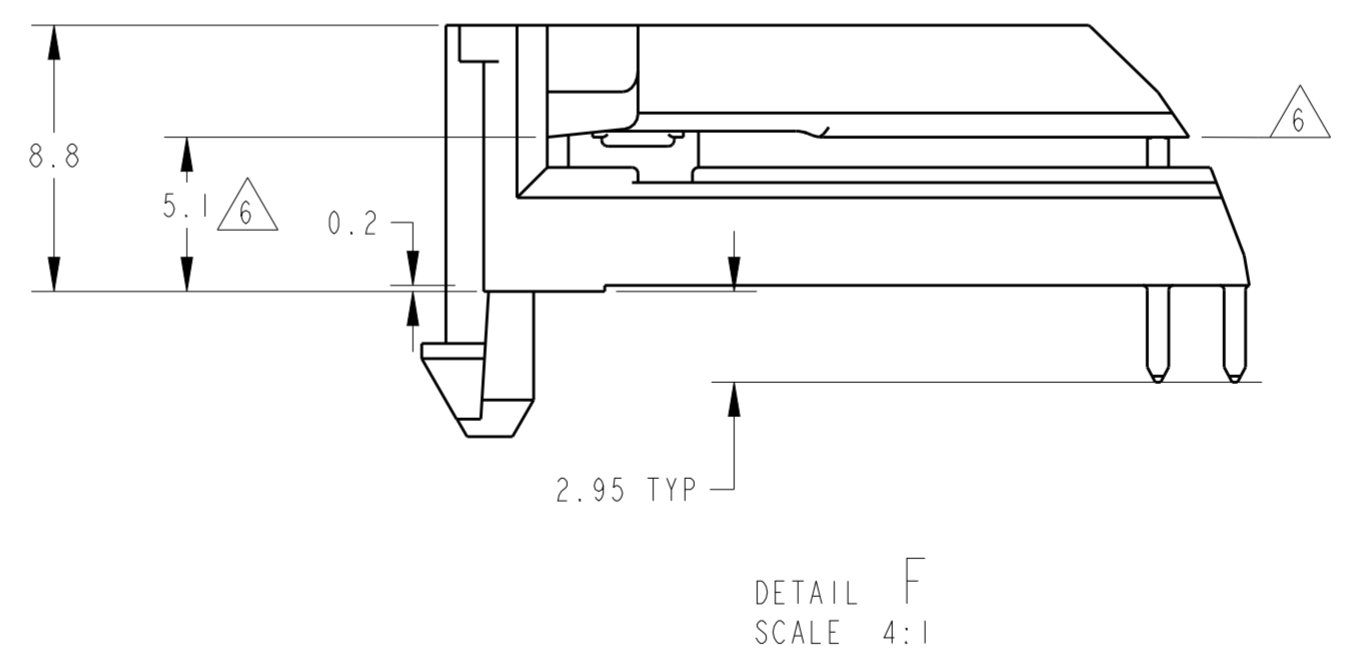
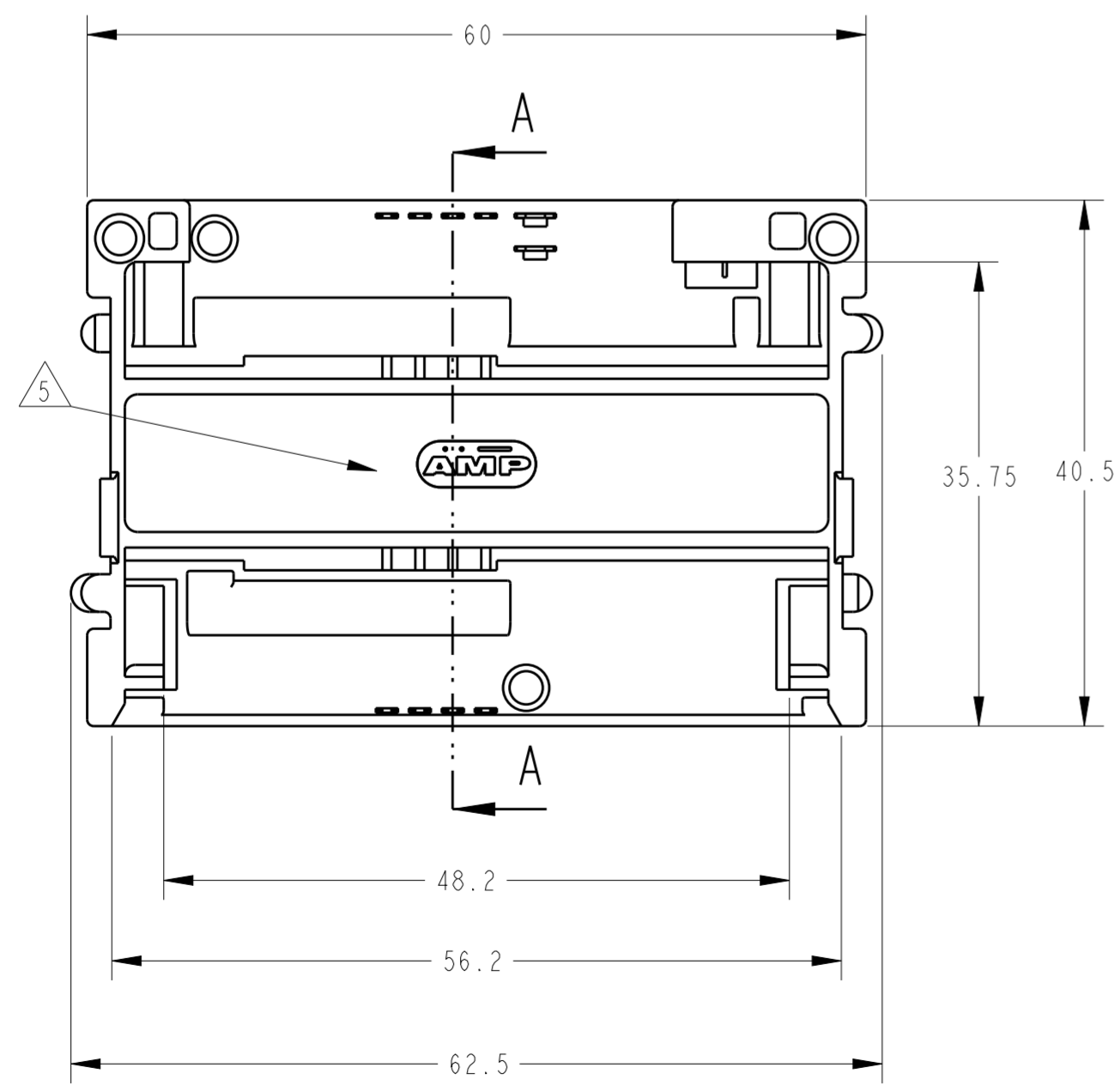
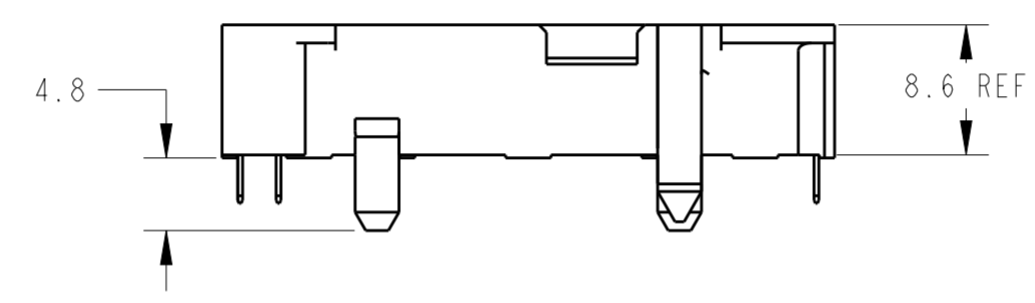
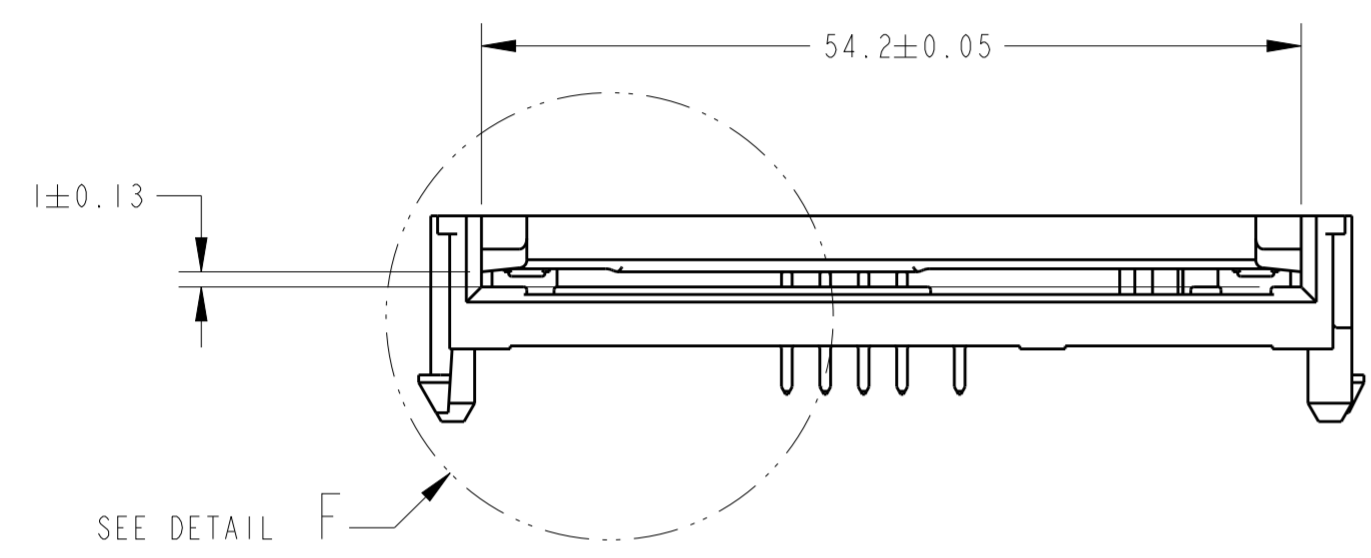
| LOC |     | DIST                      |           | REVISIONS |      |  |  |
|-----|-----|---------------------------|-----------|-----------|------|--|--|
| P   | LTR | DESCRIPTION               | DATE      | DWN       | APVD |  |  |
| D   |     | ECR-11-025634             | 20DEC2011 | GG        | RRP  |  |  |
| DI  |     | REVISED PER ECR-19-006701 | 26APR2019 | R.Z       | S.L  |  |  |



SECTION A-A



SCALE 1:1



DETAIL F  
SCALE 4:1

NOTES:

CONTACTS PLATING :

- 1 OVERALL: Ni 2µm MIN, ALL OVER THE CONTACTS.
- SOLDER ZONE: Sn 2.5µm MIN ON THE SOLDER ZONE OF THE CONTACTS.
- MATING ZONE: PLATING CONFIRMS TO PRODUCT REQUIREMENTS AS PER SPECIFICATION 108-15202.

MATERIAL :

- 2 HOUSING: PBT-GF, BLACK UL 94V0.
- CONTACTS: PHOSPHOR BRONZE.
- 3 TE SMART CARD RECEPTACLE DESIGNED TO ACCEPT ISO 7810-7816 TYPE INTEGRATED CIRCUIT SMART CARDS (0.76MM REF. THICKNESS) SEE SHEET 2/2
- 4 8 POSITIONS 5953398-1 SHOWN ON DRAWING
- 5 LOGO SHAPE AND POSITION VARY DEPENDING ON MOLD CAVITY NUMBER.
- 6 DIMENSION APPLICABLE IN CARD CONTACT AREA ONLY SURFACE VARY DEPENDING ON MOLD CAVITY NUMBER

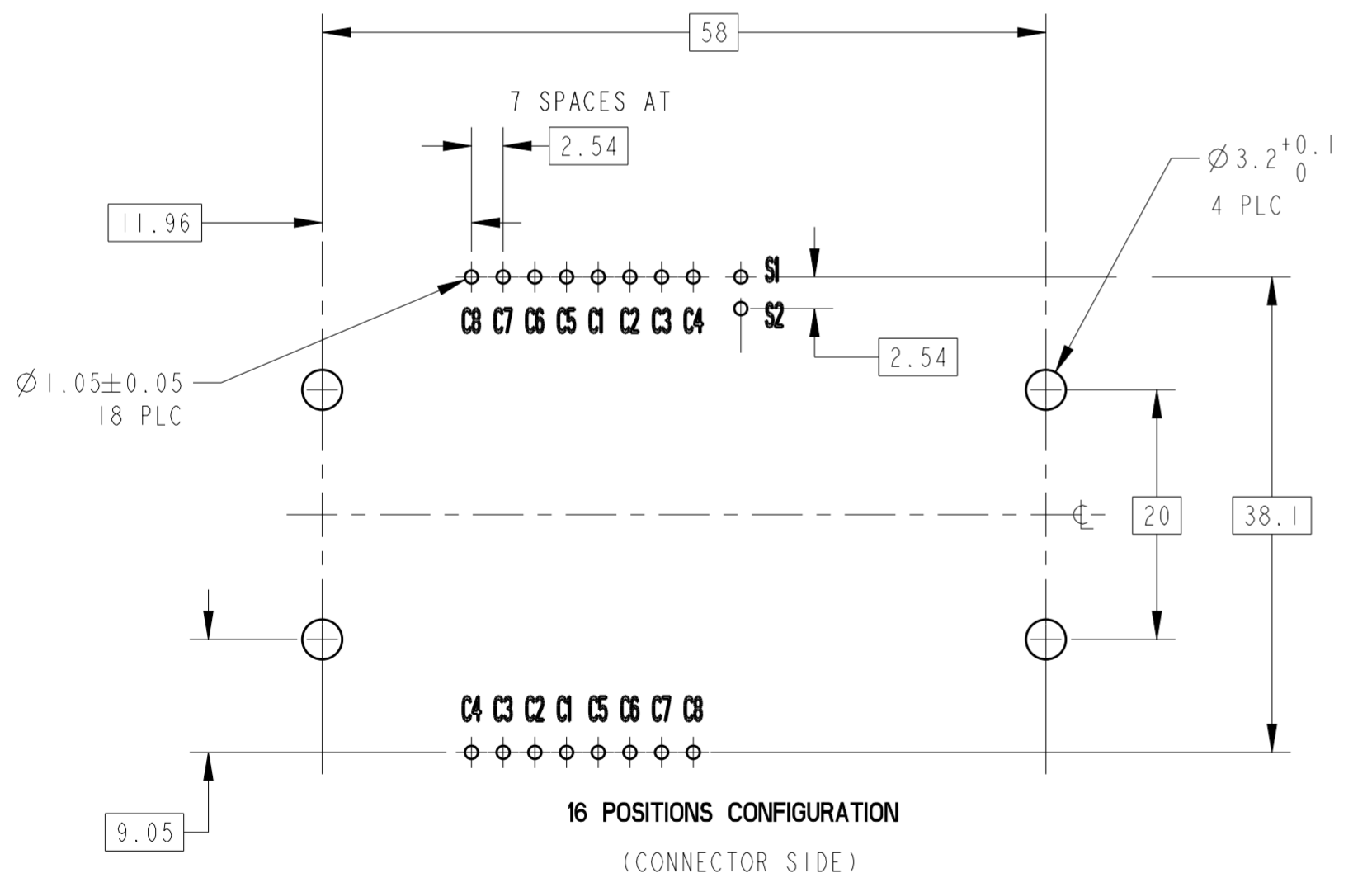
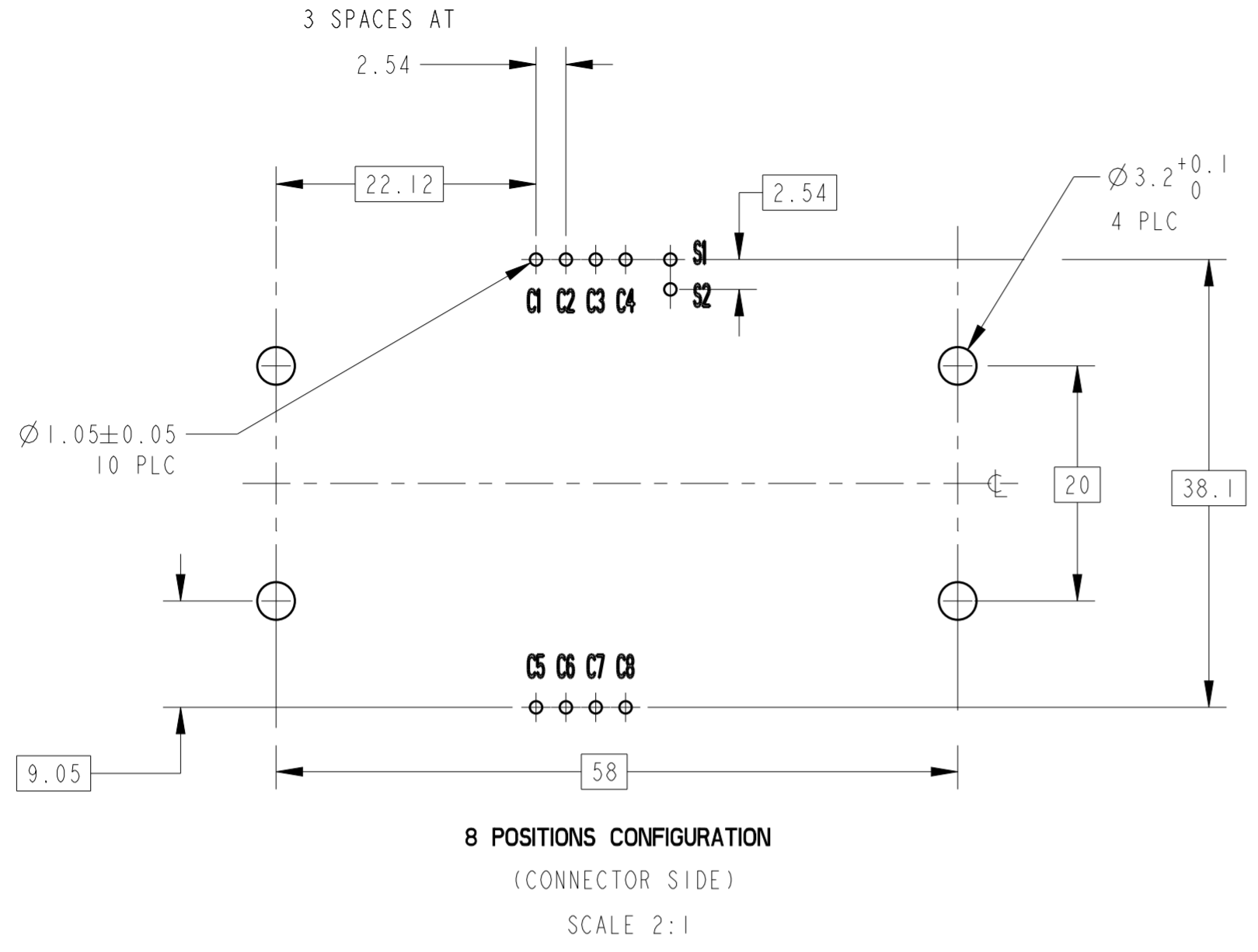
**OBSELETE**

|                        |                                 |
|------------------------|---------------------------------|
| PartNumber : 5953398-1 | 8 POSITIONS<br>ISO 7816         |
| PartNumber : 5953398-2 | 16 POSITIONS<br>ISO / CP8 AFNOR |

|                                        |            |                               |                               |  |
|----------------------------------------|------------|-------------------------------|-------------------------------|--|
| THIS DRAWING IS A CONTROLLED DOCUMENT. |            | DWN<br>R. Coolen<br>16 Dec 04 | TE Connectivity               |  |
| DIMENSIONS:<br>mm                      |            | CHK<br>W. Jansen              |                               |  |
| TOLERANCES UNLESS OTHERWISE SPECIFIED: |            | APVD<br>P. Jaeger             | PRODUCT SPEC                  |  |
| 0 PLC ±0,5                             | 1 PLC ±0,3 | APPLICATION SPEC              | 108-15202                     |  |
| 2 PLC ±0,13                            | 3 PLC ±    | WEIGHT                        | 8,5/9 g                       |  |
| 4 PLC ±                                | ANGLES ±   | CUSTOMER DRAWING              | SCALE 1:1                     |  |
| MATERIAL                               |            | FINISH                        | RESTRICTED TO                 |  |
| 2                                      |            | 1                             | SIZE CAGE CODE DRAWING NO     |  |
|                                        |            |                               | A2 C-5953398                  |  |
|                                        |            |                               | RESTRICTED TO                 |  |
|                                        |            |                               | SCALE 1:1 SHEET 1 OF 2 REV DI |  |

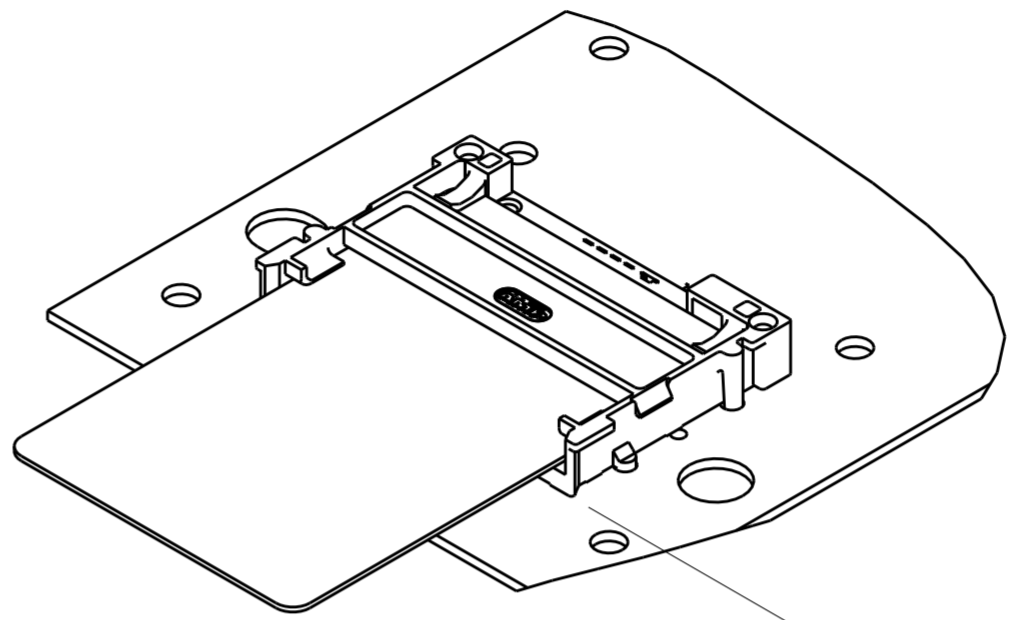
THIS DRAWING IS UNPUBLISHED. RELEASED FOR PUBLICATION  
 © COPYRIGHT - ALL RIGHTS RESERVED.

| LOC | DIST | REVISIONS   |      |     |      |
|-----|------|-------------|------|-----|------|
| P   | LTR  | DESCRIPTION | DATE | DWN | APVD |
| IR  | -    | SEE SHEET 1 | -    | -   | -    |
|     |      |             |      |     |      |
|     |      |             |      |     |      |

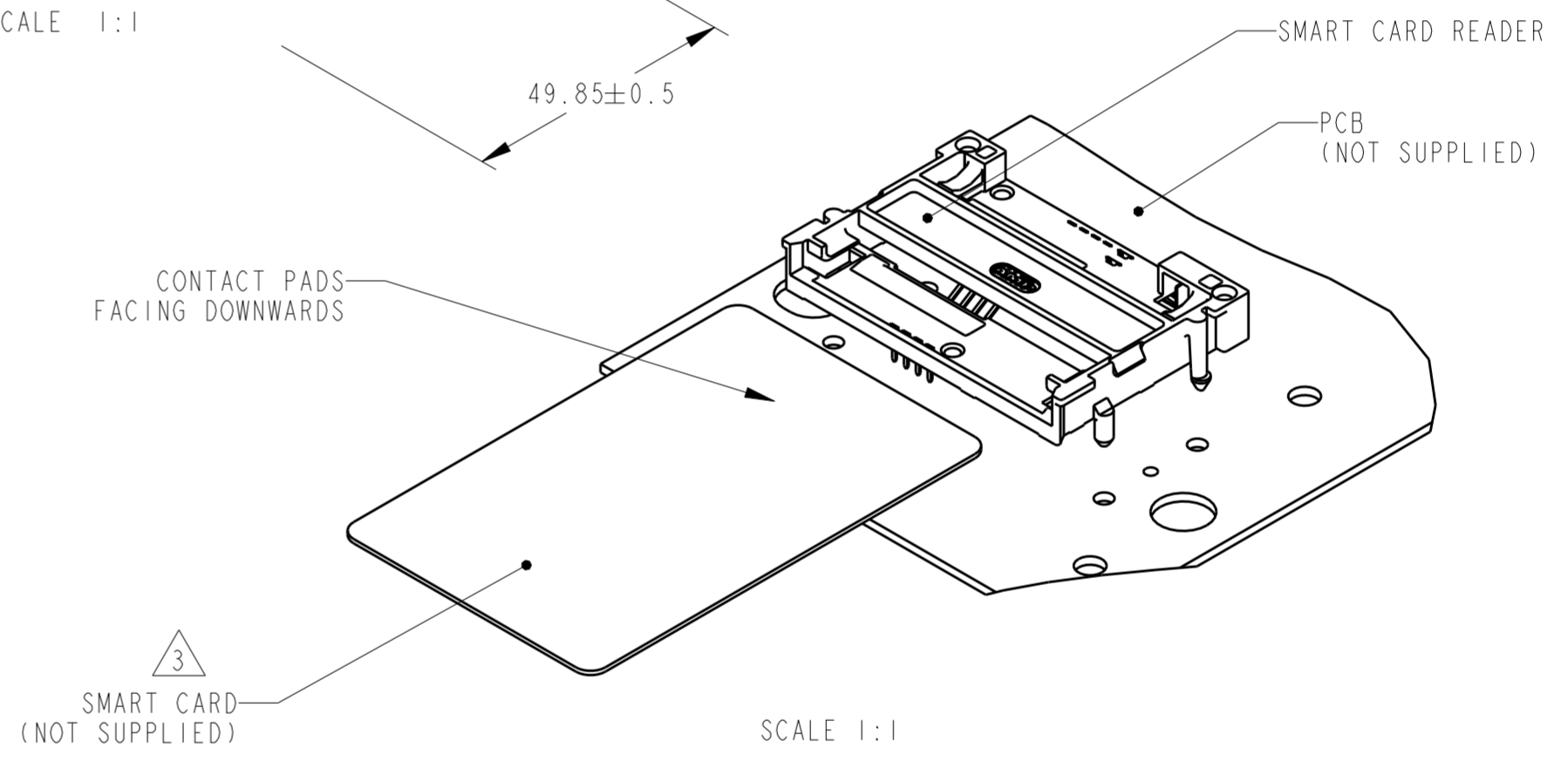


POSITION TOLERANCE FOR ALL HOLES  $\pm \phi 0.1$   
 PCB BOARD THICKNESS  $1.57 \pm 0.1$  (.062)

**RECOMMENDED PCB LAYOUT**



SCALE 1:1



SCALE 1:1

|                                        |  |                         |                 |                                                                                               |
|----------------------------------------|--|-------------------------|-----------------|-----------------------------------------------------------------------------------------------|
| THIS DRAWING IS A CONTROLLED DOCUMENT. |  | DWN R. Coolen 16 Dec 04 | TE Connectivity |                                                                                               |
| DIMENSIONS: mm                         |  | CHK W. Jansen           |                 |                                                                                               |
| TOLERANCES UNLESS OTHERWISE SPECIFIED: |  | APVD P. Jaeger          | PRODUCT SPEC    | SMART CARD READER 0.76<br>PCB MOUNT THROUGH HOLE, LOW PROFILE<br>BLADE SWITCH NORMALLY CLOSED |
| 0 PLC ±0,5                             |  | APPLICATION SPEC        | 108-15202       | SIZE                                                                                          |
| 1 PLC ±0,3                             |  | WEIGHT                  | 8,5/9 g         | CAGE CODE                                                                                     |
| 2 PLC ±0,13                            |  | CUSTOMER DRAWING        |                 | DRAWING NO                                                                                    |
| 3 PLC ±                                |  | SCALE                   | 1:1             | RESTRICTED TO                                                                                 |
| 4 PLC ±                                |  | SHEET                   | 2 OF 2          | REV                                                                                           |
| ANGLES ±                               |  |                         |                 | D1                                                                                            |
| FINISH ±                               |  |                         |                 |                                                                                               |

# Mouser Electronics

Authorized Distributor

Click to View Pricing, Inventory, Delivery & Lifecycle Information:

[TE Connectivity:](#)

[5953398-2](#)