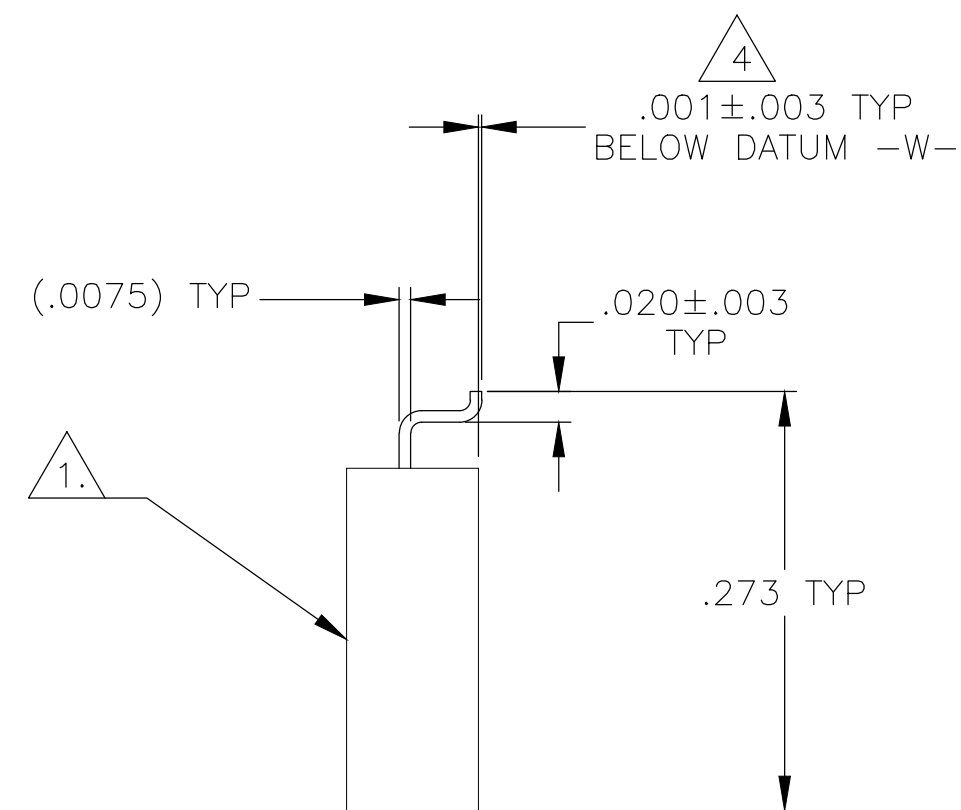
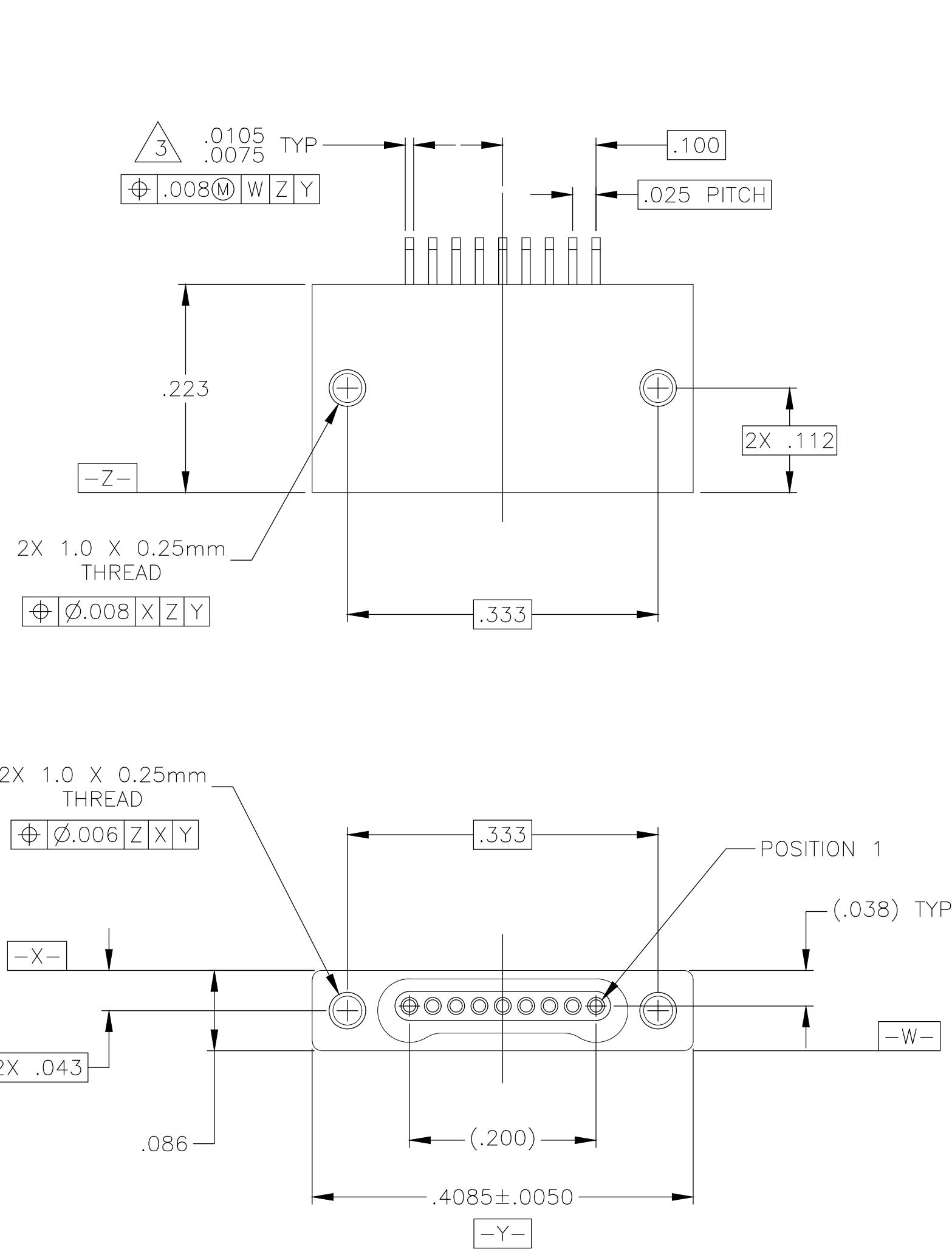


THIS DRAWING IS UNPUBLISHED. RELEASED FOR PUBLICATION  
 © COPYRIGHT - By - ALL RIGHTS RESERVED.

REVISIONS					
P	LTR	DESCRIPTION	DATE	DWN	APVD
A		RELEASED	3-13-19	CT	CD

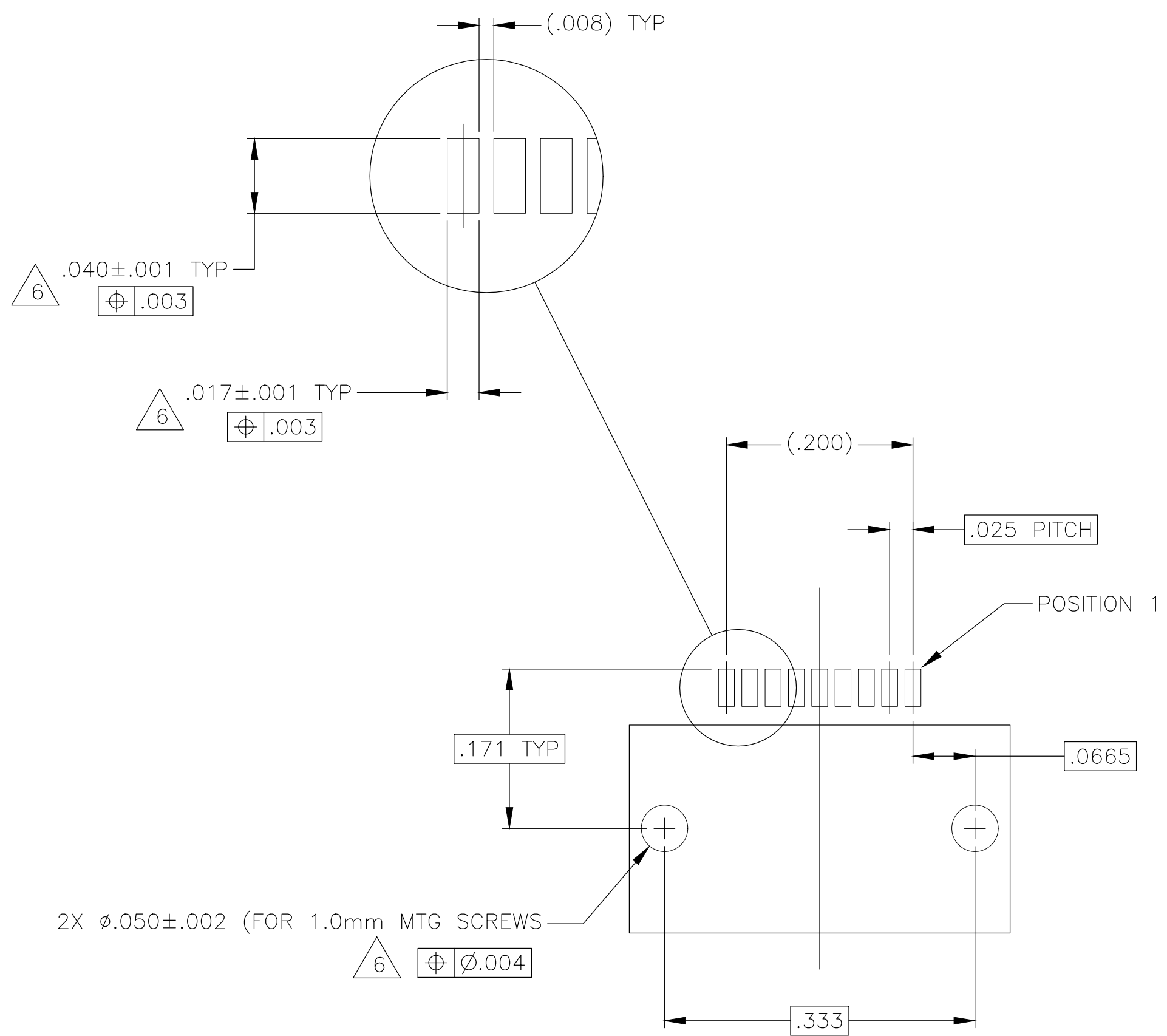


- 1 SHELL MATERIAL: 6061-T6 ALUMINUM, ELECTROLESS NICKEL PLATED PER SAE-AMS-C-26074 OR SAE-AMS-2404E  
INSULATOR MATERIAL: LIQUID CRYSTAL POLYMER (LCP) PER MIL-M-24519 OR PER ASTM D5138
- 2 TWO 303 STAINLESS STEEL FLAT FILLISTER HEAD SCREWS, 1.00UNM X .160 LONG, TO BE BAGGED SEPARATE FROM THE CONNECTOR AND SHIPPED WITH EACH ASSEMBLY
- 3 SMT LEADS ARE BeCu, TIN LEAD PLATED 60/40 COMPOSITION PER SAE-AMS-P-81728
- 4 CUSTOM LEAD HEIGHT REQUIRES SPECIAL LEADFORMING TOOLS.
- 5 NANONICS PART NUMBER: SSM00912886L2HN

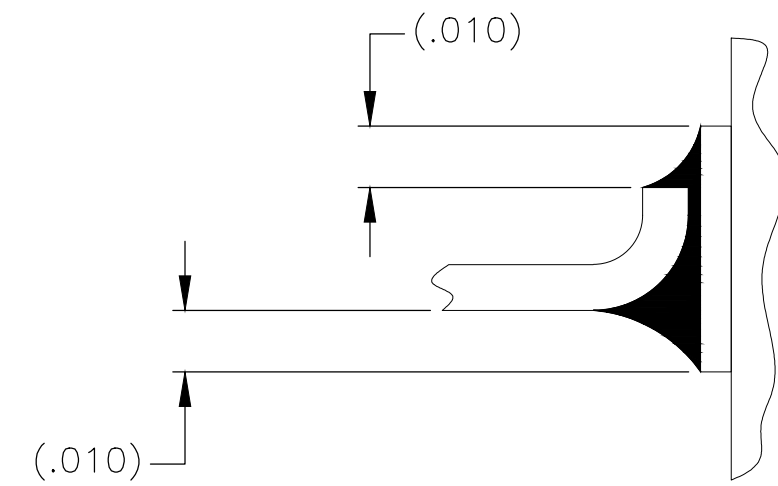
THIS DRAWING IS A CONTROLLED DOCUMENT.		DWN M. STORRY 02-15-01																					
DIMENSIONS: INCHES		CHK C.DERRICK 3-13-19																					
TOLERANCES UNLESS OTHERWISE SPECIFIED:		APVD C.DERRICK 3-13-19	NAME																				
<table border="1"> <tr><td>0 PLC</td><td>±</td><td>-</td></tr> <tr><td>1 PLC</td><td>±</td><td>-</td></tr> <tr><td>2 PLC</td><td>±</td><td>.010</td></tr> <tr><td>3 PLC</td><td>±</td><td>.005</td></tr> <tr><td>4 PLC</td><td>±</td><td>-</td></tr> <tr><td>ANGLES</td><td>±</td><td>1°</td></tr> </table>		0 PLC	±	-	1 PLC	±	-	2 PLC	±	.010	3 PLC	±	.005	4 PLC	±	-	ANGLES	±	1°	PRODUCT SPEC	RECEPTACLE ASSEMBLY, HORIZONTAL SURFACE MOUNT, SINGLE ROW DUALLOBE, 9 POSITION		
0 PLC	±	-																					
1 PLC	±	-																					
2 PLC	±	.010																					
3 PLC	±	.005																					
4 PLC	±	-																					
ANGLES	±	1°																					
MATERIAL		APPLICATION SPEC	SIZE	CAGE CODE	DRAWING NO																		
SEE NOTES		FINISH	WEIGHT	A2	00779																		
SEE NOTES		CUSTOMER DRAWING	SCALE	C-2-1925314-7																			
			8:1	SHEET	1 of 2																		
				REV	A																		

THIS DRAWING IS UNPUBLISHED. RELEASED FOR PUBLICATION  
 © COPYRIGHT - By - ALL RIGHTS RESERVED.

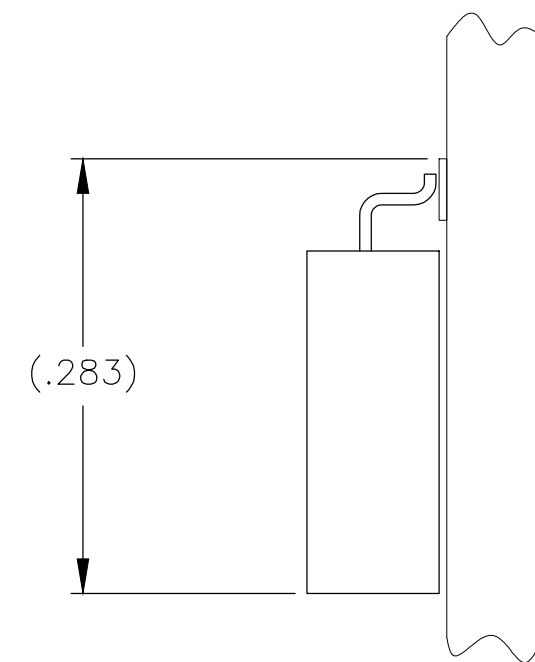
REVISIONS					
P	LTR	DESCRIPTION	DATE	DWN	APVD
-	-	SEE SHEET 1	-	-	-



TYPICAL PCB LAYOUT



TYPICAL FOOT PLACEMENT ON SOLDER PAD



6 POSITIONAL TOLERANCES FOR BASIC DIMENSIONED FEATURES ARE RELATIVE TO FIDUCIALS OR SOME SIMILAR DATUM REFERENCE DEFINED BY THE PCB DESIGNER.

THIS DRAWING IS A CONTROLLED DOCUMENT.		DWN M. STORRY 02-15-01	TE Connectivity		
DIMENSIONS: INCHES		CHK S. KAIN 02-15-01			
TOLERANCES UNLESS OTHERWISE SPECIFIED:		APVD -	NAME		
0 PLC ± - 1 PLC ± - 2 PLC ± .010 3 PLC ± .005 4 PLC ± - ANGLES ± 1°		PRODUCT SPEC -	RECEPTACLE ASSEMBLY, HORIZONTAL SURFACE MOUNT, SINGLE ROW DUALLOBE		
MATERIAL SEE NOTES		FINISH SEE NOTES	APPLICATION SPEC -	SIZE A2	RESTRICTED TO
		WEIGHT -	CAGE CODE 00779	DRAWING NO C=1589462	
CUSTOMER DRAWING			SCALE 8:1	SHEET 2 OF 2	REV A

# Mouser Electronics

Authorized Distributor

Click to View Pricing, Inventory, Delivery & Lifecycle Information:

[TE Connectivity:](#)

[2-1925314-7](#)