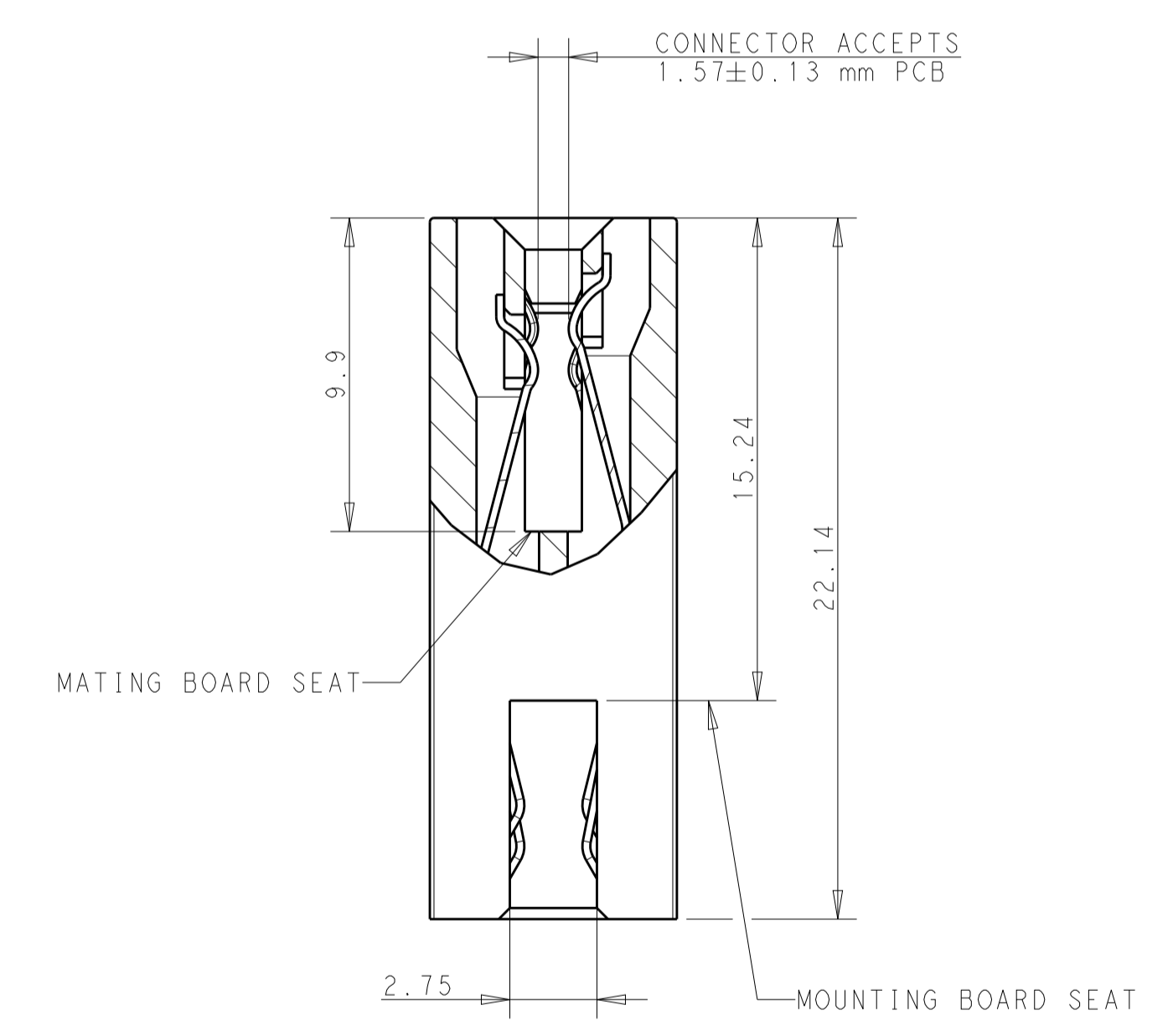
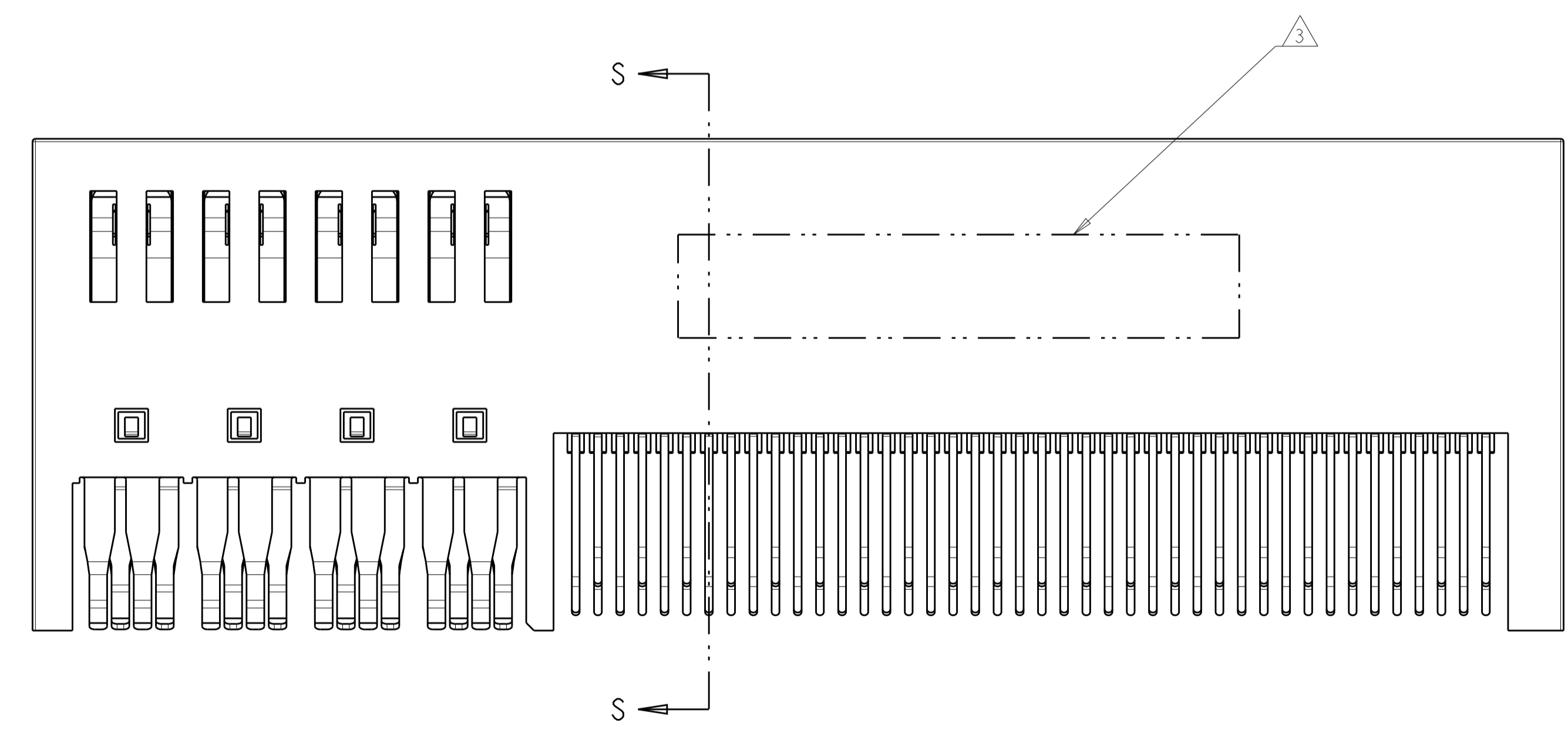
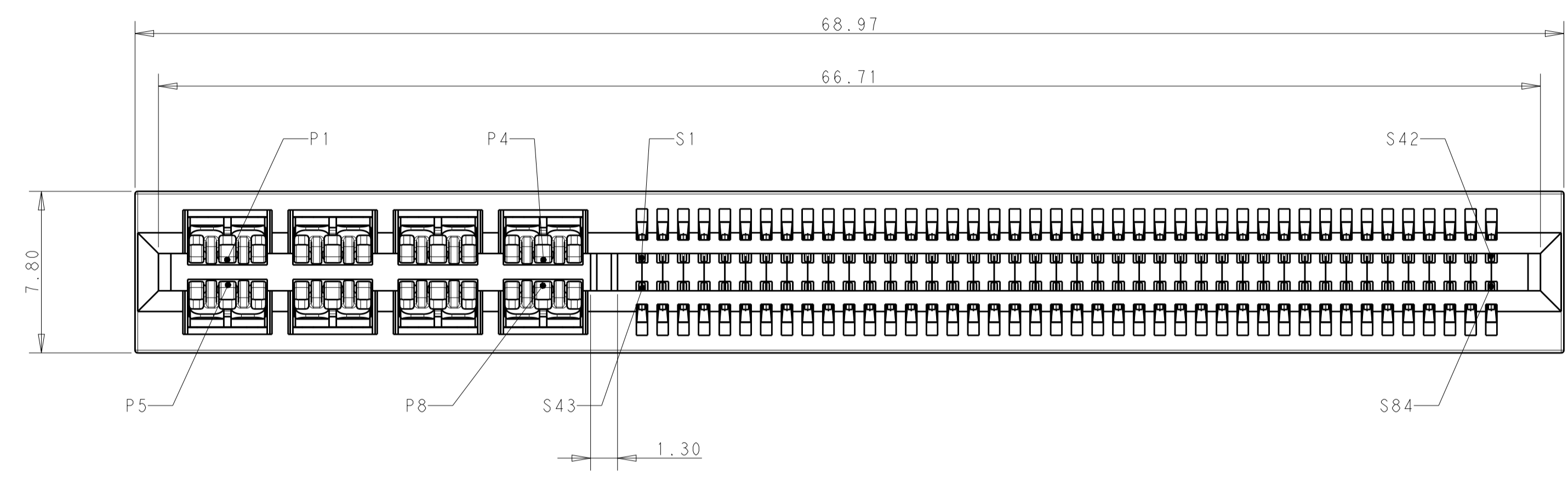


REVISIONS				
P.	LTN	DESCRIPTION	DATE	APVD
A		FIRST RELEASE	14AUG2019	SZ SZ

NOTES, UNLESS OTHERWISE SPECIFIED
 1. MATERIAL:
 HOUSING - THERMOPLASTIC, GLASS PREINFORCED, COLOR, BLACK, UL 94V-0
 CONTACTS- COPPER ALLOY.
 2. FINISH:
 MATING AREA - NOBLE METAL OVERALL NICKEL.
 SOLDER TAIL - MATTE TIN OVERALL NICKEL.
 3. MARK P/N AND DATA CODE IN APPROX. AREA AS SHOWN.

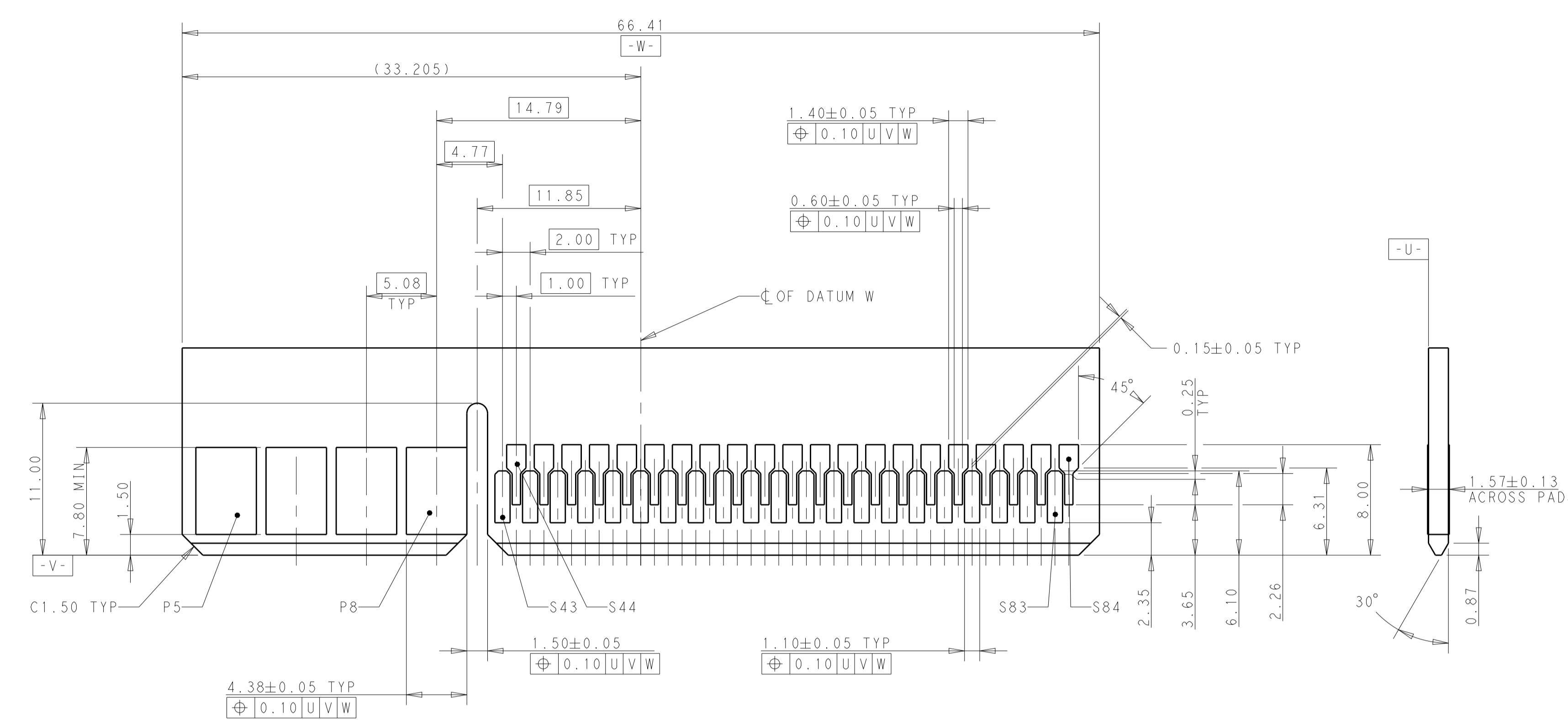


SECTION S-S

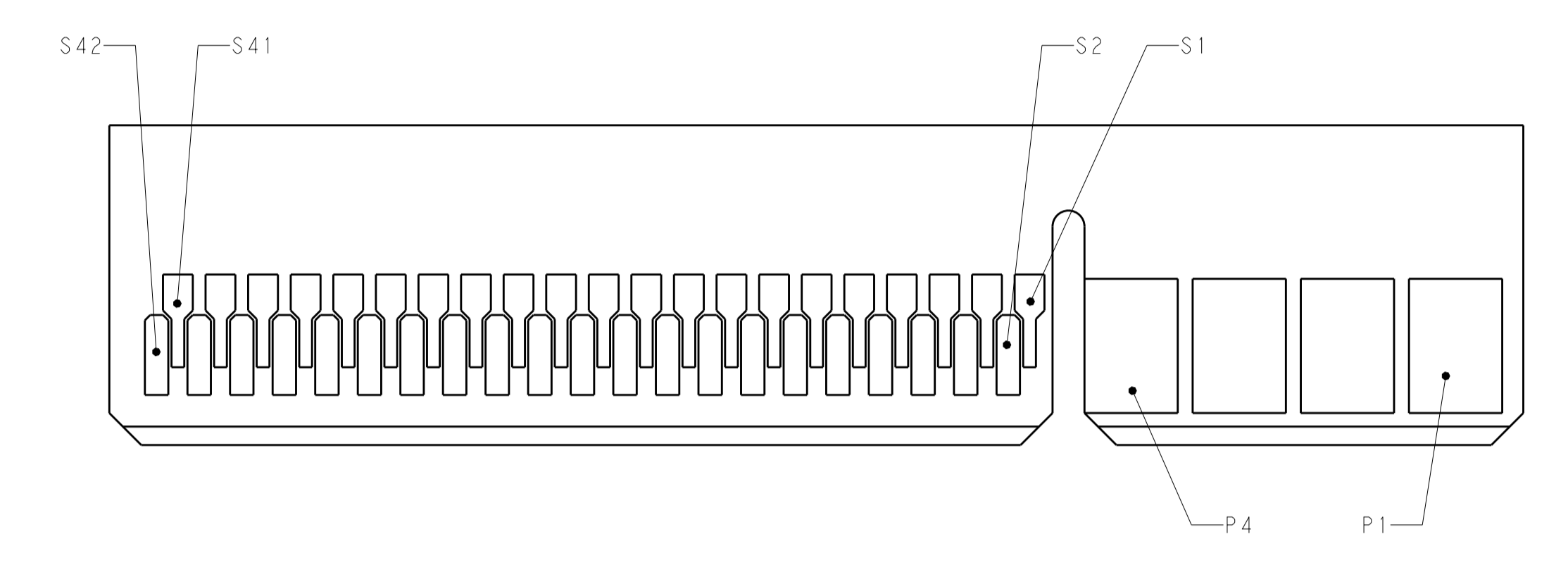
PART NUMBER 2340165-1

THIS DRAWING IS A CONTROLLED DOCUMENT.		OWN: SEAN ZHANG 31 JUL 2018	TE Connectivity	
DIMENSIONS: mm		CHK: -		
TOLERANCES UNLESS OTHERWISE SPECIFIED:		APVD: SUNY ZHAO 31 JUL 2018	NAME: HDCE PLUS, STRADDLE MOUNT, 2P DESIGN	
0 PLC	±	PRODUCT SPEC	2X4P-2X42S	
1 PLC	±0.50	APPLICATION SPEC	-	
2 PLC	±0.25	SIZE	A100779C=2340165	
3 PLC	±	RESTRICTED TO	-	
4 PLC	±	WEIGHT	-	
ANGLES	±2°	CUSTOMER DRAWING	SCALE 5:1 SHEET 1 OF 2 REV A	
MATERIAL: TBD	FINISH: -			

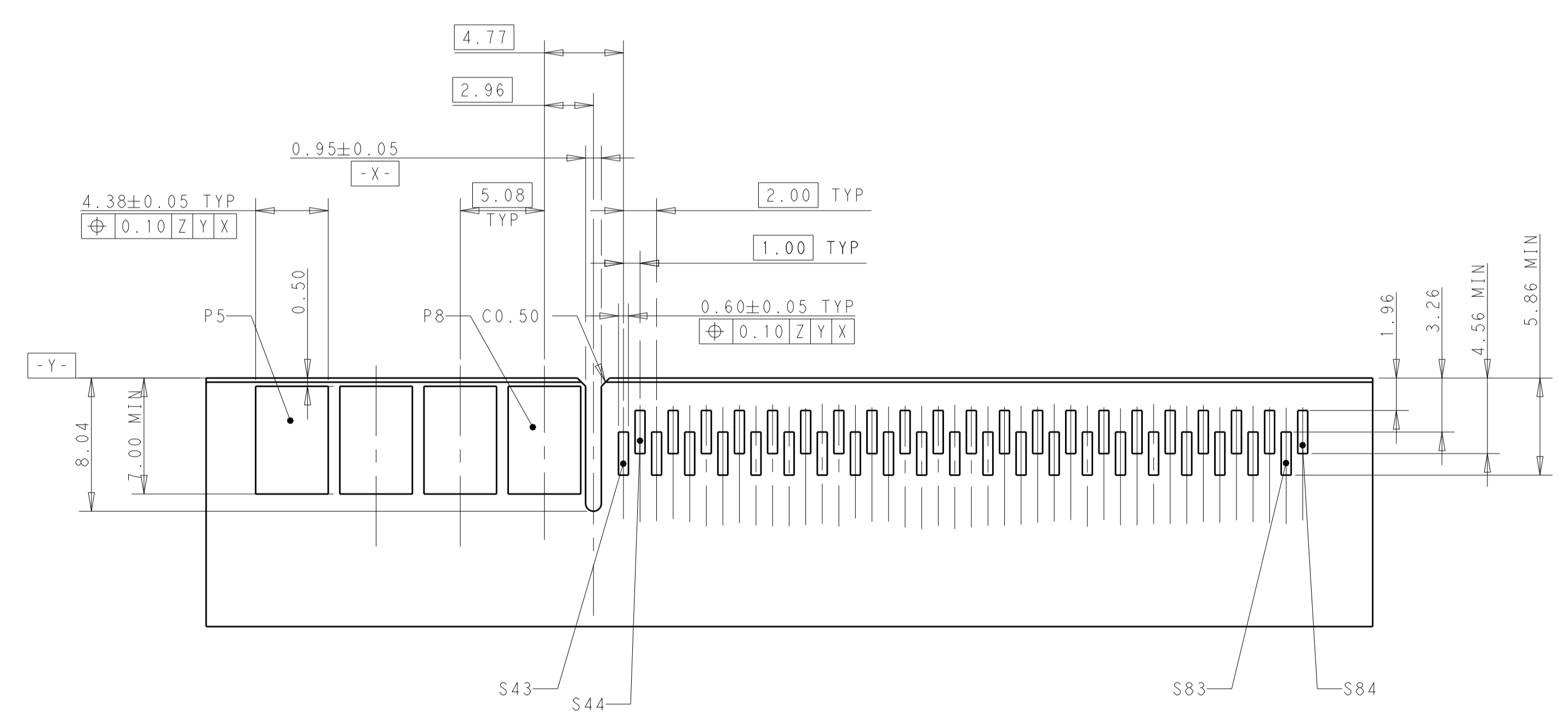
REVISIONS				
P.	LTM	DESCRIPTION	DATE	APVD
-	-	SEE SHEET 1	-	-



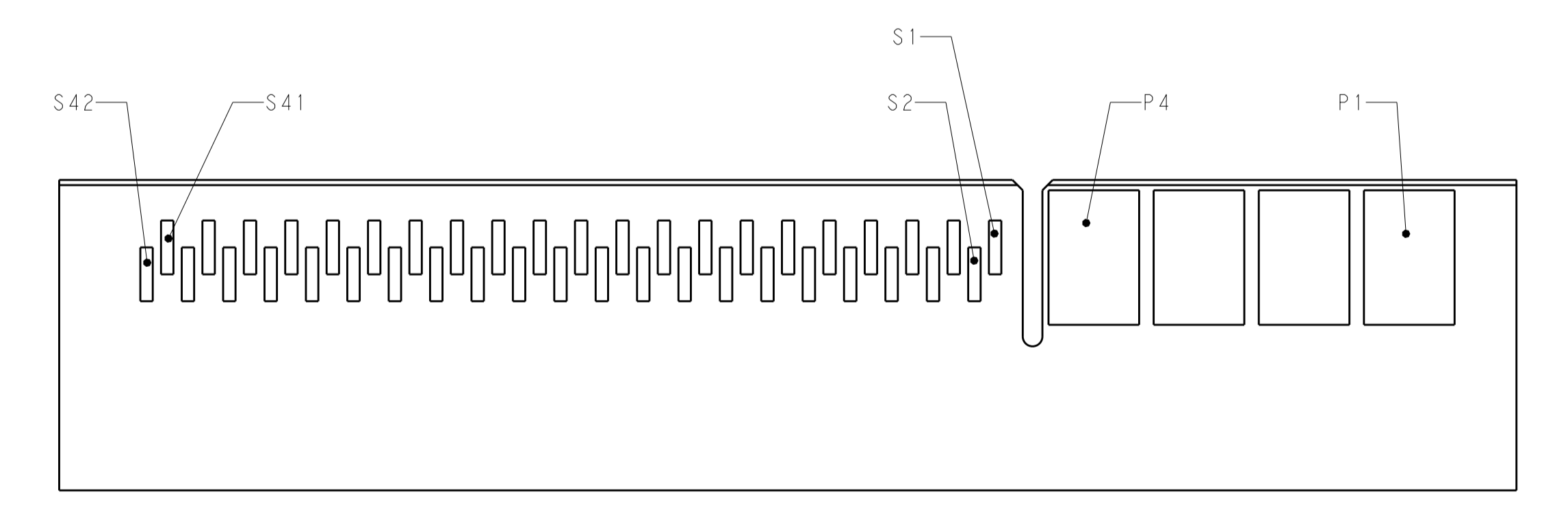
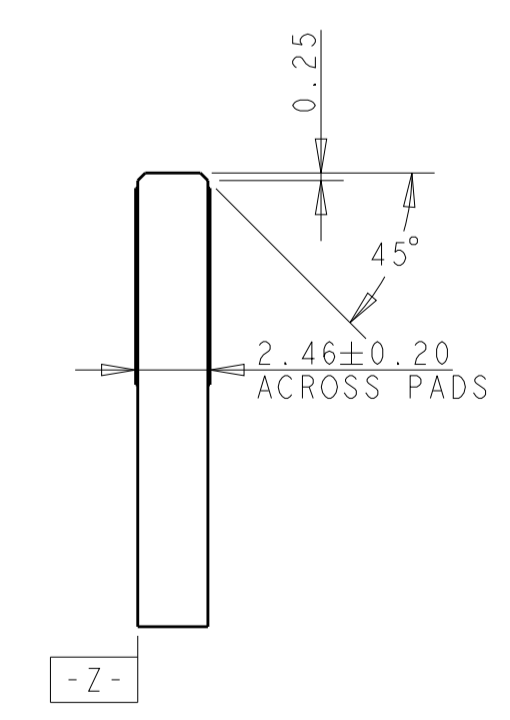
RECOMMENDED MATING BOARD EDGE CONFIGURATION (PRIMARY SIDE SHOWN)



RECOMMENDED MATING BOARD EDGE CONFIGURATION (SECONDARY SIDE SHOWN)



RECOMMENDED MOUNTING BOARD EDGE CONFIGURATION (PRIMARY SIDE SHOWN)



RECOMMENDED MOUNTING BOARD EDGE CONFIGURATION (SECONDARY SIDE SHOWN)

THIS DRAWING IS A CONTROLLED DOCUMENT.		OWN: SEAN ZHANG	31 JUL 2018	TE Connectivity
DIMENSIONS: mm		CHK: SUNY ZHAO	31 JUL 2018	
TOLERANCES UNLESS OTHERWISE SPECIFIED:		APVD: SUNY ZHAO	31 JUL 2018	NAME: HDCE PLUS, STRADDLE MOUNT, 2P DESIGN
0 PLC ±0.20		PRODUCT SPEC:		2X4P-2X4ZS
1 PLC ±0.10		APPLICATION SPEC:		
2 PLC ±0.10		SIZE: CAGE CODE: DRAWING NO:	A100779	RESTRICTED TO:
3 PLC ±0.10		WEIGHT:	©=2340165	
4 PLC ±0.10		CUSTOMER DRAWING	SCALE: 5:1	SHEET 2 OF 2
ANGLES: ±2°				REV A

Mouser Electronics

Authorized Distributor

Click to View Pricing, Inventory, Delivery & Lifecycle Information:

[TE Connectivity:](#)

[2340165-1](#)