

4

3

2

1

THIS DRAWING IS UNPUBLISHED.

RELEASED FOR PUBLICATION

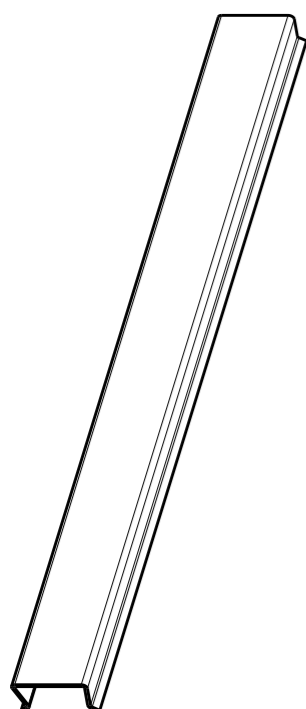
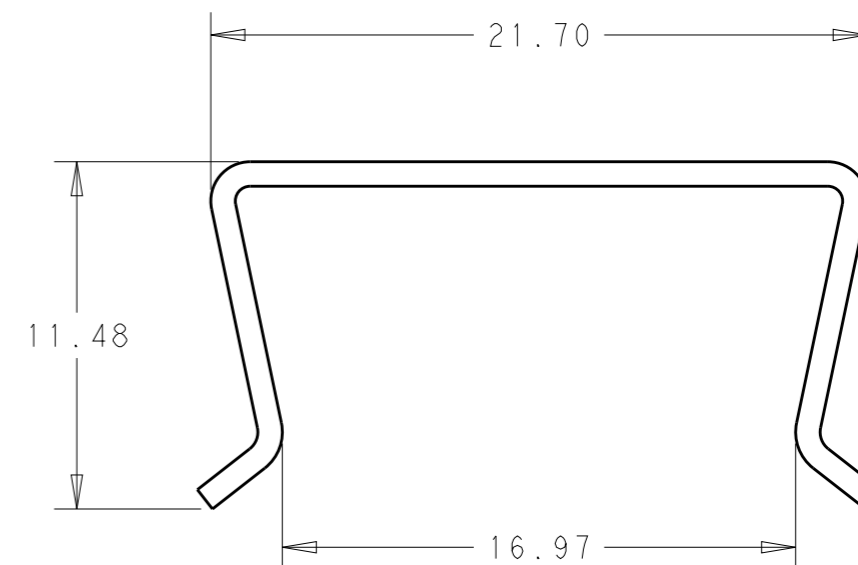
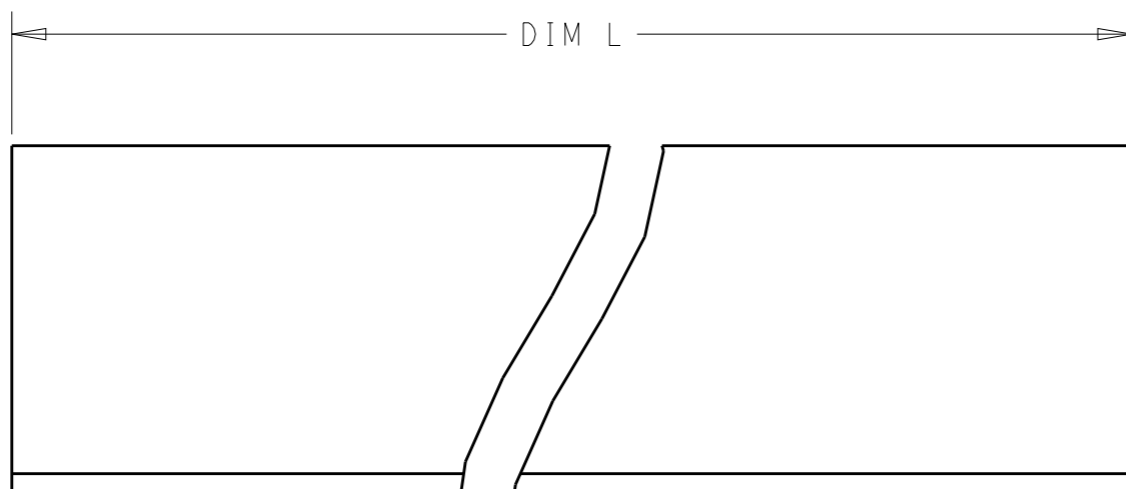
20

© COPYRIGHT 20 BY -

ALL RIGHTS RESERVED.

REVISIONS

P	LTR	DESCRIPTION	DATE	DWN	APVD
	B	REV PER ECO 18-014888	9-26-18	CT	DH



SCALE 1:2

1. MATERIAL: POLYCARBONATE MATERIAL TO BE ANTI-STATIC

SEE CUSTOMER RESTRICTED DRAWING	--	--	2226808-3
--	3U	92.7	2226808-2
--	6U	226.0	2226808-1
REMARKS	ASSEMBLY USED ON	L	PART NO.

THIS DRAWING IS A CONTROLLED DOCUMENT.

DIMENSIONS:	TOLERANCES UNLESS OTHERWISE SPECIFIED:
mm	
	0 PLC ±-
	1 PLC ±-
	2 PLC ±0.65
	3 PLC ±-
	4 PLC ±-
	ANGLES ±-
MATERIAL	FINISH
-	-
-	-

DWN	20NOV2013
K. MILLER	
CHK	12FEB2014
K. THACKSTON	
APVD	12FEB2014
M. MCALONIS	



COVER, MULTIGIG RT, DAUGHTERCARD

PRODUCT SPEC	-
APPLICATION SPEC	-
WEIGHT	-
Customer Drawing	

SIZE	CAGE CODE	DRAWING NO	RESTRICTED TO
A3	-	C-2226808	-
SCALE 4:1		SHEET 1 OF 1	REV B

# Mouser Electronics

Authorized Distributor

Click to View Pricing, Inventory, Delivery & Lifecycle Information:

[TE Connectivity:](#)

[2226808-2](#)