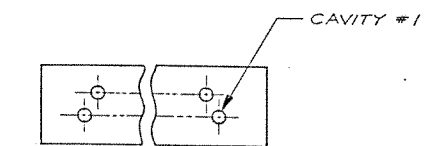
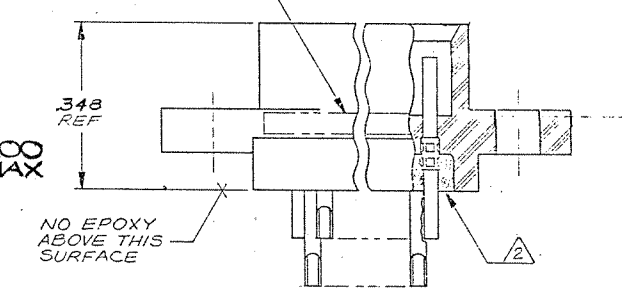
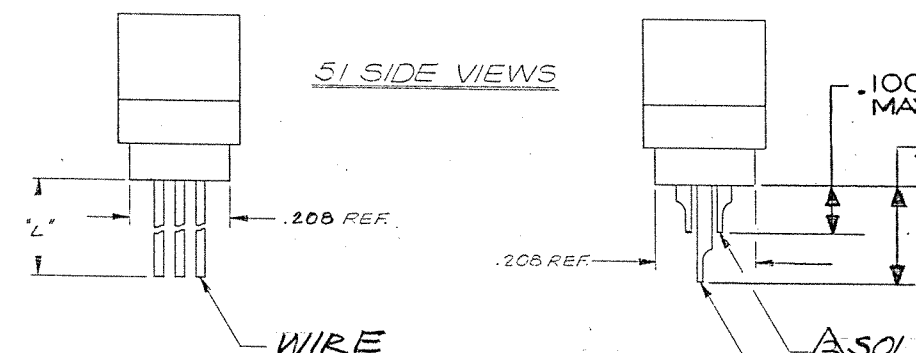
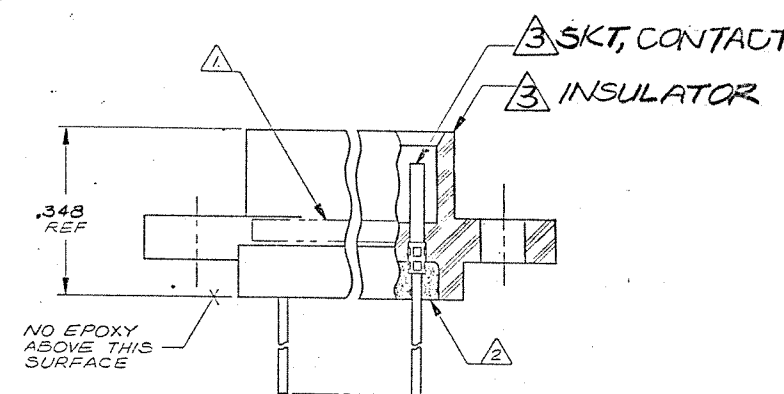
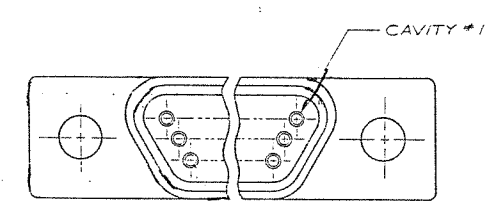
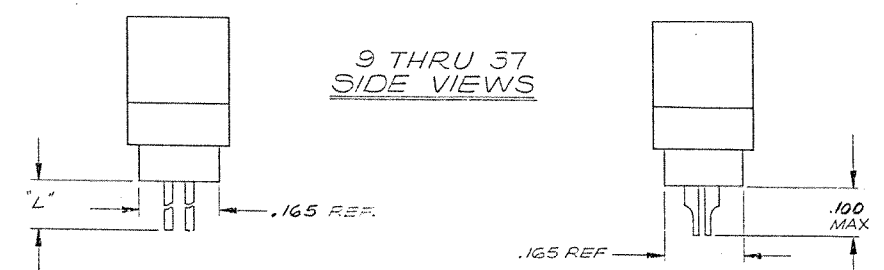
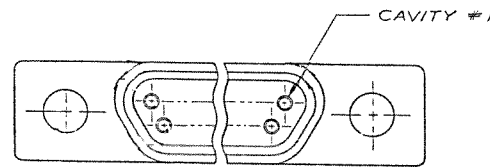


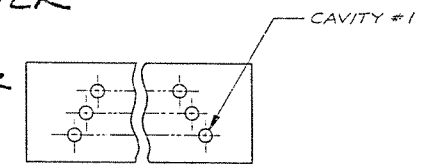
8 7 6 5 4 3 2 1

| REVISIONS |     |       |             |        |             |
|-----------|-----|-------|-------------|--------|-------------|
| ZONE      | LTR | ECN   | DESCRIPTION | DATE   | APPROVED    |
| B         |     | 27054 | NEW RELEASE | 1/5/93 | [Signature] |

C Combine M & CD Dwg



9 THRU 37 CONFIGURATION



51 CONFIGURATION

(SHOW WITH SOLDER POT TERMINATIONS FOR REFERENCE ONLY. WIRE TERMINATIONS ARE THE SAME CONFIGURATION)

NOTES: UNLESS OTHERWISE SPECIFIED

- 1 MARK "MALCO" OR MALCO LOGO, MILITARY PART NO. (e.g. M53513/07-\*) CODE IDENT. NO. & DATE CODE WITH .041 MIN HIGH CHARACTERS IN APPROXIMATE LOCATION SHOWN.
- 2 EPOXY USING HYSOL # 4215 & 3561.

- 3 SOLDER POT: MATL: BRASS PER QQ-B-626, COMP 360, 1/2 HARD FINISH: COPPER ALLOY/GOLD PLATED
- SKT. CONTACT: MATL: COPPER ALLOY/GOLD PLATED
- HOUSING: MATL: (R3) POLYPHENYLENE SULFIDE RYTON RA-04 (BR-68) PER MIL-M-24519, COLOR BROWN.

Tyco Customer Drawing 1-1532149-5

| QTY REQD  | CODE IDENT | PART OR IDENTIFYING NO.  | NOMENCLATURE OR DESCRIPTION |
|---|------------|--|-----------------------------|
| PARTS LIST  |            |  |                             |
| UNLESS OTHERWISE SPECIFIED DIMENSIONS ARE IN INCHES TOLERANCES ARE: |            | CONTRACT NO.   |                             |
| FRACTIONS   | DECIMALS   | ANGLES   | APPROVALS DATE              |
| ±   | .XX ±      | ±  | [Signature] 1/5/93          |
| ±   | .XXX ±     |  | CHECKED                     |
| MATERIAL  |            | PR. ENG. 7-5-92  |                             |
| FINISH  |            | APP'D.   |                             |
| NEXT ASSY USED ON   |            | These drawings and specifications are the property of Microdot Inc. and shall remain the property of Microdot Inc. and shall not be reprinted, reproduced or copied in whole or in part for the manufacture or sale of any article without written permission of Microdot Inc. |                             |
| APPLICATION   |            | DO NOT SCALE DRAWING   |                             |
|   |            | SCALE NONE   |                             |

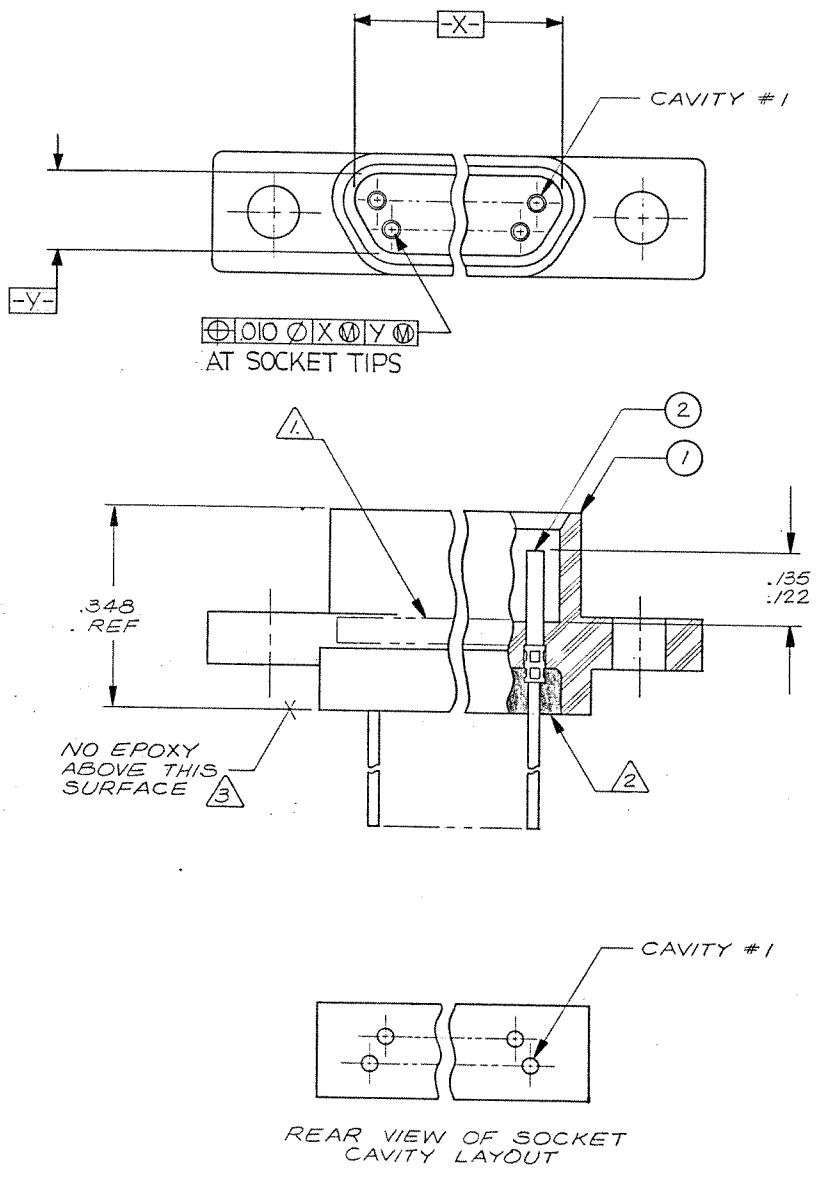
MALCO  
A MICRODOT COMPANY, INC.  
306 PASADENA AVE., SO. PASADENA, CALIF. 91030

RACK & PANEL CONNECTOR, RCPT. MCD PER MIL-C-83513

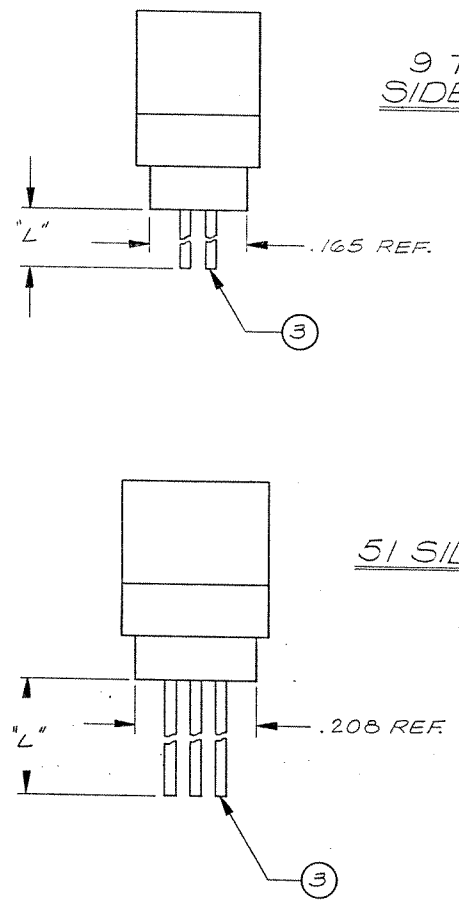
SIZE CODE IDENT NO. DRAWING NO.  
D 98278 095-0000-0446

PROD CODE 824  
CODE CD

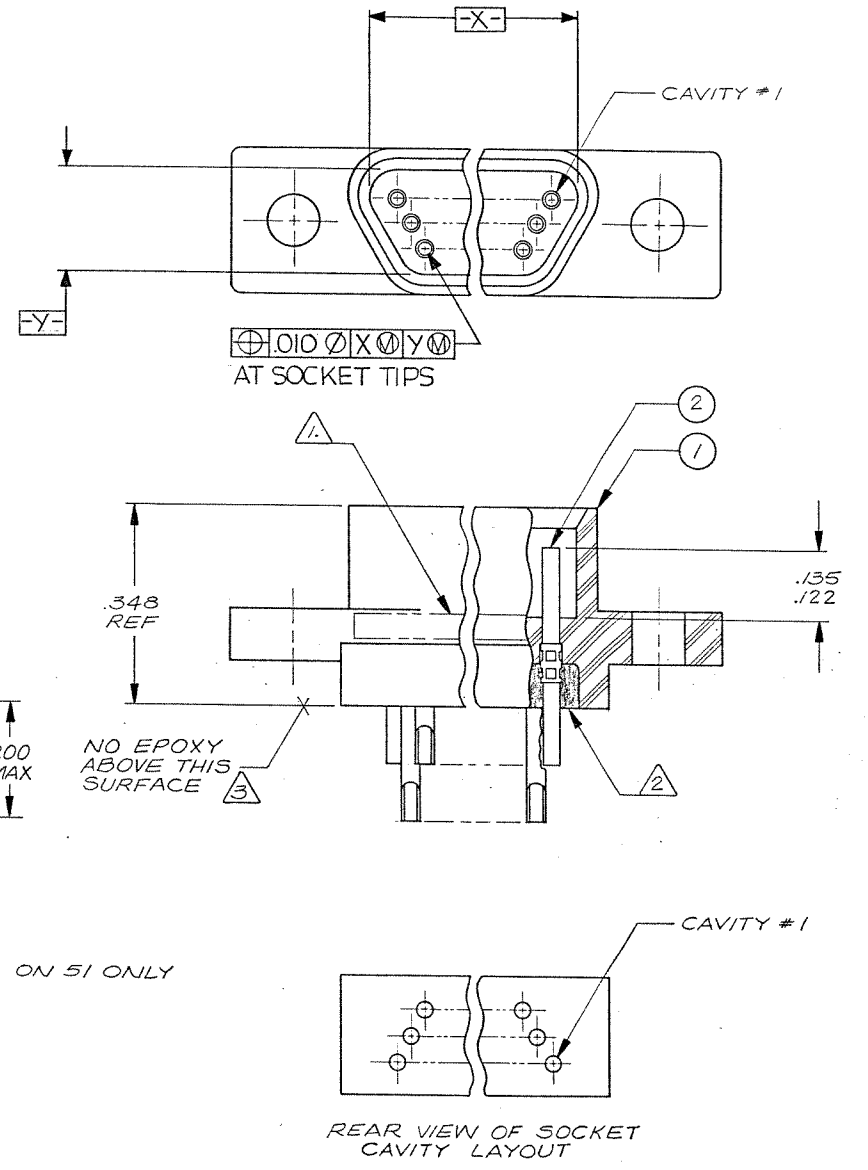
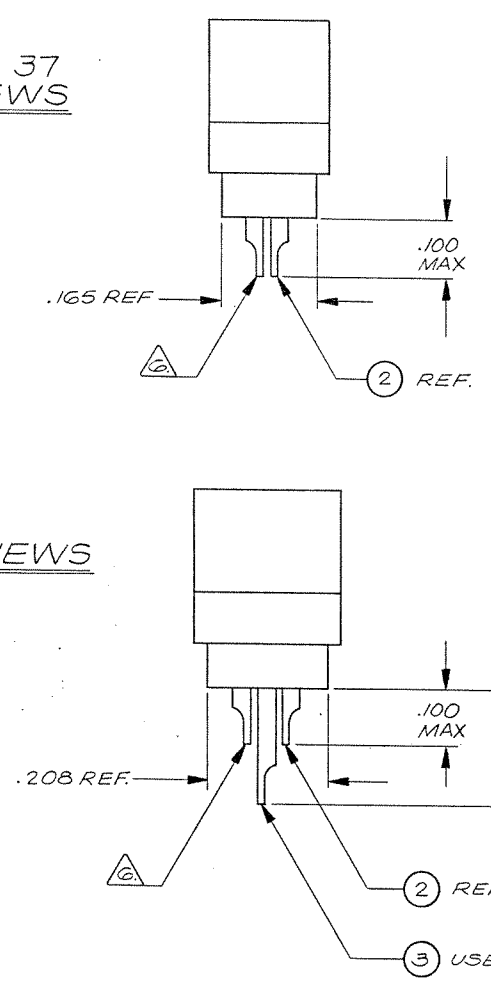
8 7 6 5 4 3 2 1



9 THRU 37 CONFIGURATION



51 CONFIGURATION



51 CONFIGURATION

(SHOW WITH SOLDER POT TERMINATIONS FOR REFERENCE ONLY. WIRE TERMINATIONS ARE THE SAME CONFIGURATION)

NOTES: UNLESS OTHERWISE SPECIFIED

- 1. MARK "MALCO" OR MALCO LOGO, MILITARY PART NO. (e.g. M83513/07-\*), CODE IDENT. NO., & DATE CODE WITH .047 MIN HIGH CHARACTERS IN APPROXIMATE LOCATION SHOWN.
- 2. EPOXY USING HYSOL # 4215 & 3561.
- 3. EPOXY WICKING - UNINSULATED WIRE .050 MAX. INSULATED WIRE UP TO # 25 AWG .125 MAX. INSULATED WIRE # 24 AWG OR LARGER - .200 MAX.
- 4. CRIMP LEADS OR SOLDER POTS INTO CONTACTS PER MEP 302-05.
- 5. NO SCRATCHES SHOWING BASE METAL PERMITTED ON SOLDER POTS.
- 6. CHAMFER ON SOLDER POTS ARE TO BE PARALLEL WITH SIDES OF CONNECTOR WITHIN 10 DEGREES.

Tyco Customer Drawing 1-1532149-5

| QTY REQD  | CODE IDENT | PART OR IDENTIFYING NO.  | NOMENCLATURE OR DESCRIPTION |
|---|------------|--|-----------------------------|
| PARTS LIST  |            |  |                             |
| UNLESS OTHERWISE SPECIFIED DIMENSIONS ARE IN INCHES TOLERANCES ARE: |            | CONTRACT NO.   |                             |
| FRACTIONS   | DECIMALS   | ANGLES   |                             |
| ±   | .XX ±      | ±  |                             |
| ±   | .XXX ±     |  |                             |
| MATERIAL  |            | APPROVALS  | DATE                        |
|   |            | DRAWN G. SAUER   | 5-17-82                     |
|   |            | CHECKED G. SAUER   | 5-18-82                     |
|   |            | PR. ENG. W. S. J.  | 5-18-82                     |
|   |            | APPD.  |                             |
| FINISH  |            | MALCO A MICRODOT COMPANY, INC. 306 PASADENA AVE., SO. PASADENA, CALIF. 91030 |                             |
|   |            | RACK & PANEL CONNECTOR, RCPT. MCD PER MIL-C-83513                            |                             |
|   |            | SIZE   | CODE IDENT NO. DRAWING NO.  |
|   |            | D  | 98278 095-0000-0446         |
| NEXT ASSY USED ON   |            | SCALE NONE   |                             |
| APPLICATION   |            | SHEET / OF /   |                             |
|   |            | DO NOT SCALE DRAWING   |                             |

# Mouser Electronics

Authorized Distributor

Click to View Pricing, Inventory, Delivery & Lifecycle Information:

## TE Connectivity:

[M83513/09-D05](#) [M83513/09-C05](#) [M83513/09-B01](#) [M83513/09-A01](#) [M83513/09-C04](#) [M83513/09-G05](#) [M83513/09-E03](#) [M83513/09-B16](#) [M83513/09-G01](#) [M83513/09-B02](#) [M83513/09-E02](#) [M83513/09-D02](#) [M83513/09-F03](#) [M83513/09-A15](#) [M83513/09-F06](#) [M83513/09-E01](#) [M83513/09-D11](#) [M83513/09-E06](#) [M83513/09-A06](#) [M83513/09-C02](#) [M83513/09-B06](#) [M83513/09-A02](#) [M83513/09-G06](#) [M83513/09-D04](#) [M83513/09-G16](#) [M83513/09-C06](#) [M83513/09-C03](#) [M83513/07-E](#) [M83513/09-F05](#) [M83513/09-G04](#) [M83513/07-B](#) [M83513/09-C01](#) [M83513/09-B05](#) [M83513/09-E05](#) [M83513/09-D03](#) [M83513/09-A04](#)