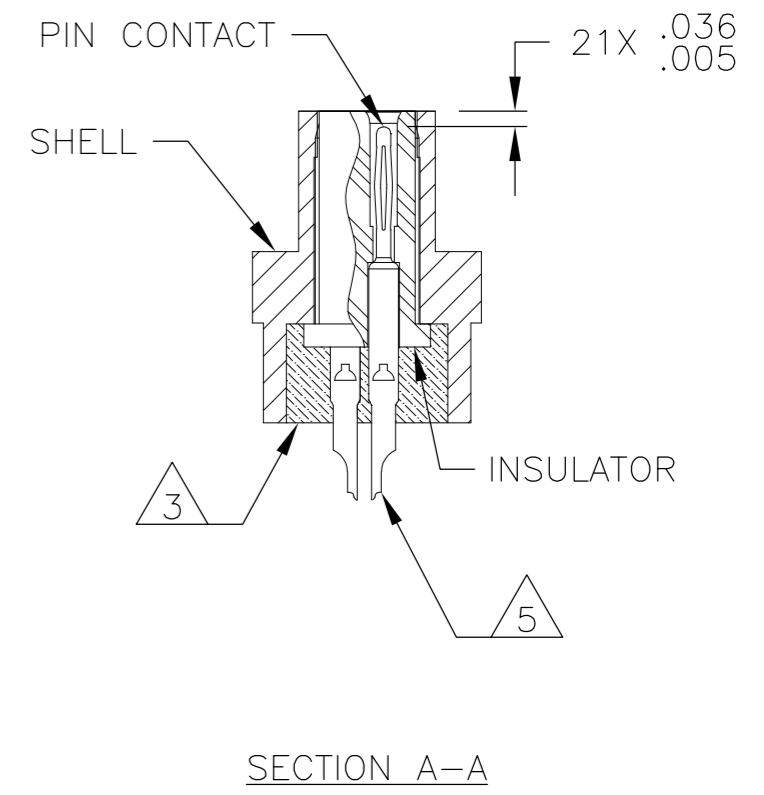
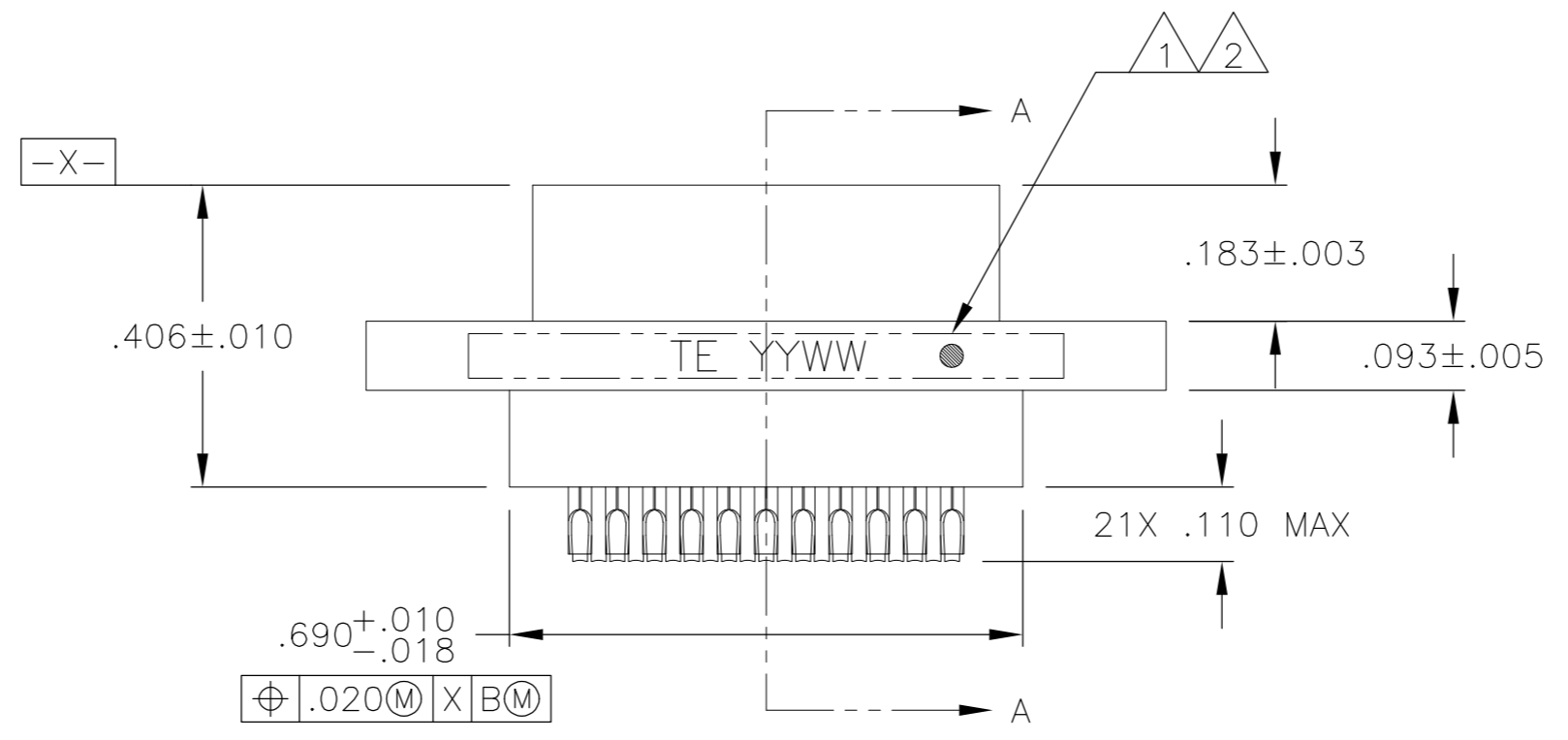
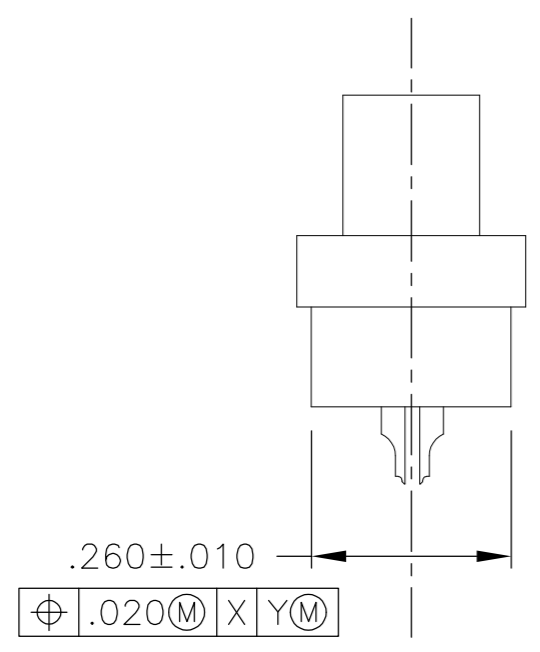
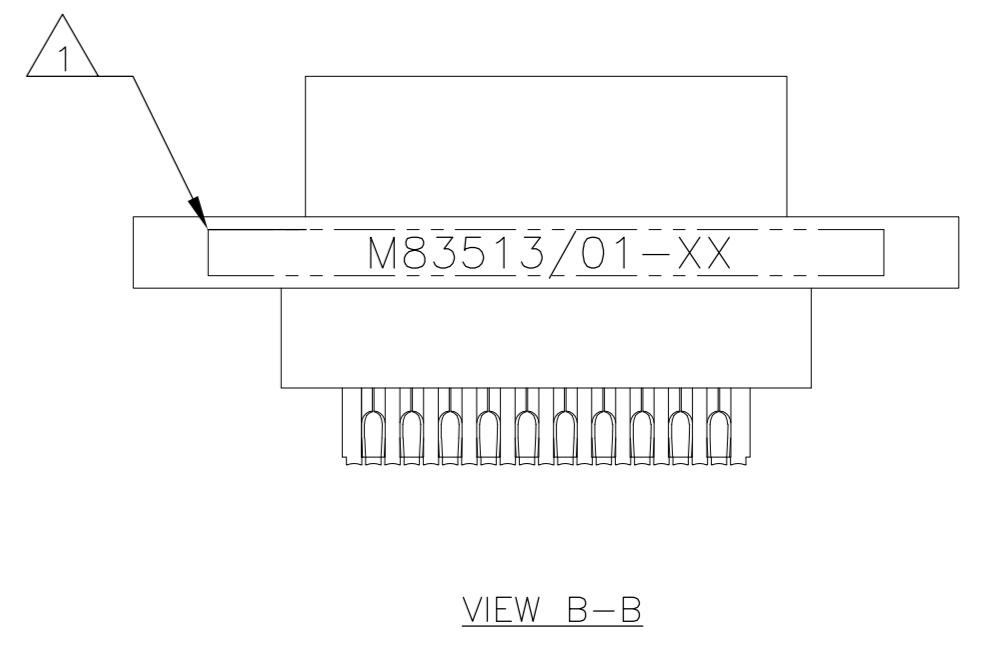
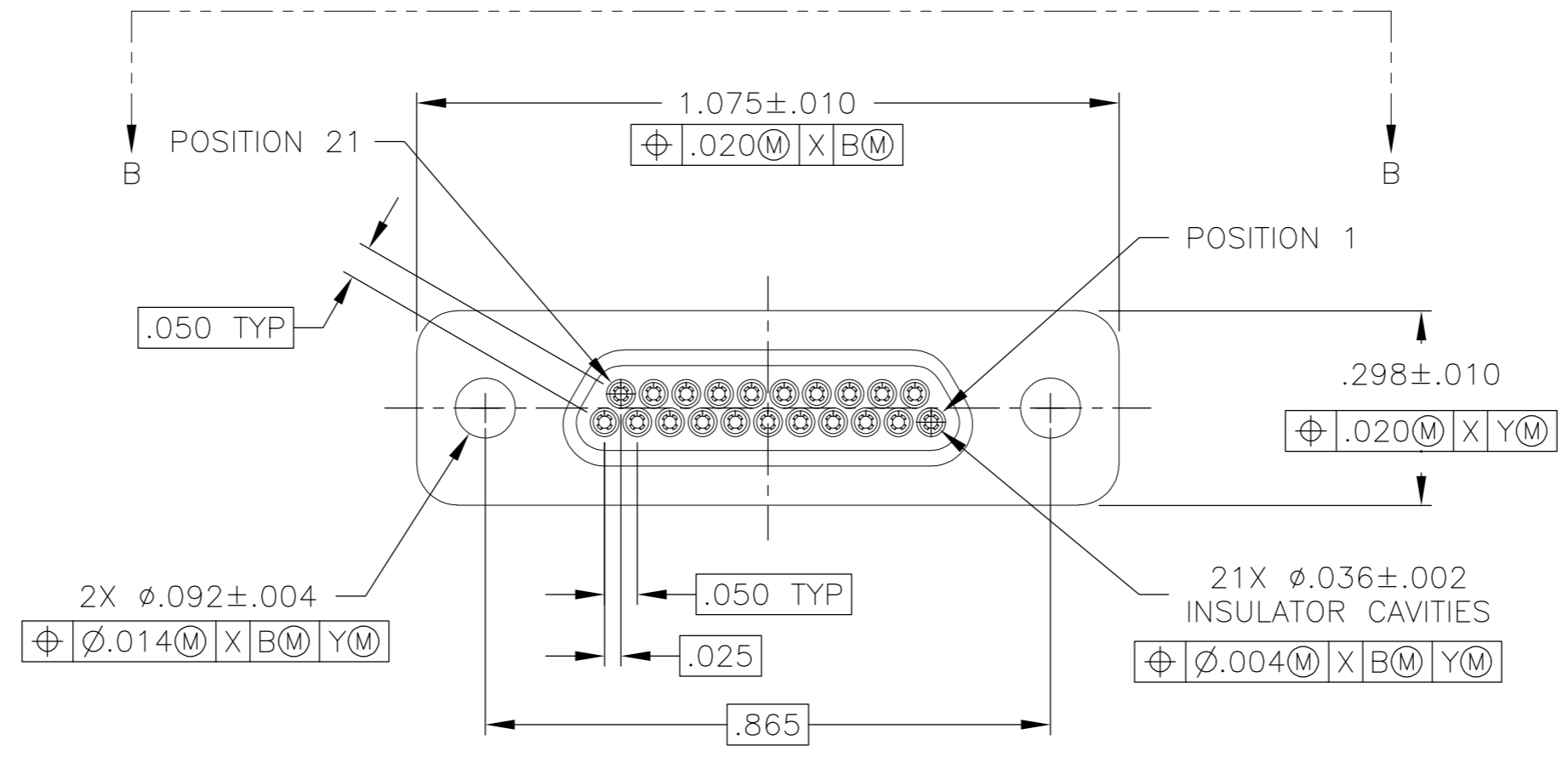
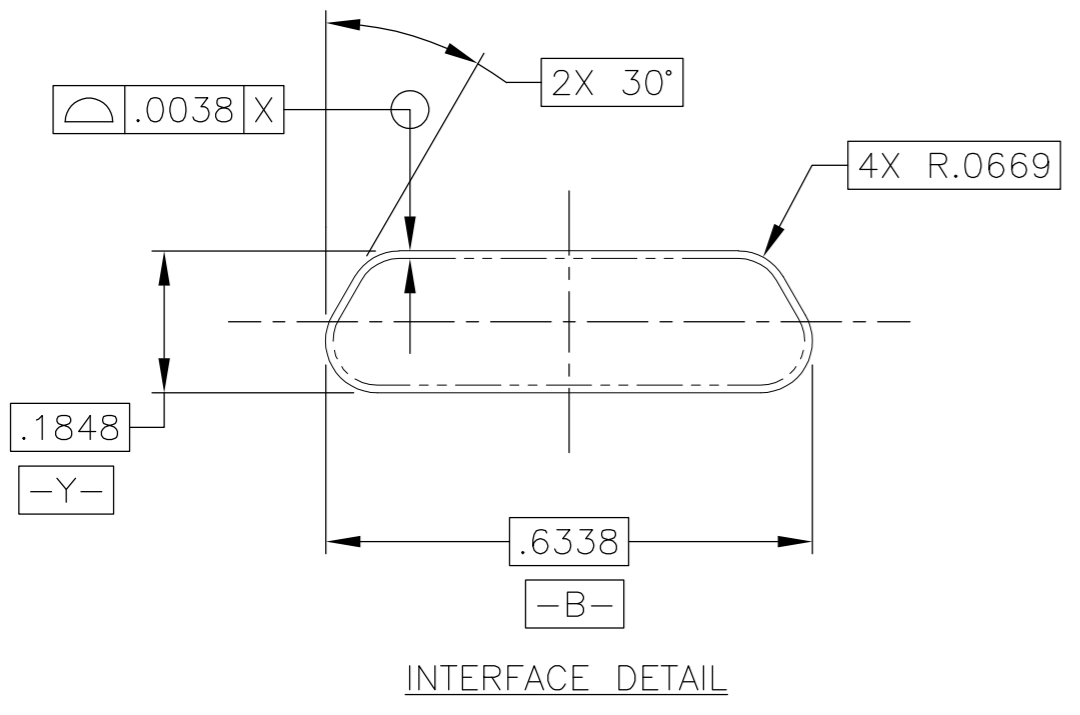


THIS DRAWING IS UNPUBLISHED. RELEASED FOR PUBLICATION  
 © COPYRIGHT - By - ALL RIGHTS RESERVED.

REVISIONS					
P	LTR	DESCRIPTION	DATE	DWN	APVD
B		UPDATE PER ECO-16-002588	24 FEB 16	CAS	CAS



- 1 CONNECTOR SHALL BE MARKED IN ACCORDANCE WITH METHOD I OF MIL-STD-1285. MARKING SHALL CONTAIN THE MILITARY PIN, CAGE CODE (OR TE), AND DATE CODE. EXAMPLE: M83513/01-XX TE YYWW (WHERE XX IS PART OF THE PIN SHOWN IN THE "MIL-DTL-83513" COLUMN OF THE PART NUMBER TABLE, AND YYWW IS THE DATE CODE). FOR THE SIZE 21 PLUG, THE MARKING MUST BE PRINTED ON BOTH SIDES OF THE FLANGE. TEXT HEIGHT SHALL BE .035 INCH MINIMUM.
- 2 POSITION 1 SHALL BE INDICATED BY AN IDENTIFIABLE MARK, LOCATED APPROXIMATELY AS SHOWN ON THE POSITION 1 SIDE OF THE CONNECTOR FLANGE. THIS MARK SHALL BE INCLUDED AS PART OF THE PART MARKING INFORMATION.
- 3 EPOXY ENCAPSULATION. EPOXY MAY WICK .050 INCH MAX FOR SOLDER CUPS.
- 4 ALL DIMENSIONS AND REQUIREMENTS ARE PER MIL-DTL-83513/1
- 5 CHAMFER ON SOLDER POTS ARE PARALLEL WITH THE SIDE OF CONNECTOR WITHIN 10°

THIS DRAWING IS A CONTROLLED DOCUMENT.		DWN B. ROMANCHUK	03 SEP 08	TE Connectivity	
DIMENSIONS: INCHES		CHK -	-		
TOLERANCES UNLESS OTHERWISE SPECIFIED:		APVD M. STORRY	03 SEP 08	NAME	
0 PLC ± -		PRODUCT SPEC		PLUG ASSEMBLY, MICRO-D PER MIL-DTL-83513/01, MCKS SERIES, 21 POSITION	
1 PLC ± -		APPLICATION SPEC		SIZE	
2 PLC ± .010		-		CAGE CODE	
3 PLC ± .005		-		DRAWING NO	
4 PLC ± -		-		RESTRICTED TO	
ANGLES ± 1°		WEIGHT		A2 98278 C=1532211	
FINISH		CUSTOMER DRAWING		SCALE 4:1 SHEET 1 of 2 REV B	
SEE NOTES		-		-	

4

3

2

1

THIS DRAWING IS UNPUBLISHED.	RELEASED FOR PUBLICATION
© COPYRIGHT - By -	ALL RIGHTS RESERVED.

REVISIONS				
P	LTR	DESCRIPTION	DATE	APVD
-	-	SEE SHEET 1	-	-

TE	MIL-DTL-83513 PIN	MICRODOT P/N	MCKS DESCRIPTION
1532211-1	M83513/01-CN	094-6325-0000	MCKS-N1-B-21PS
1532211-2	M83513/01-CC	094-6335-0000	MCKS-C2-B-21PS

THIS DRAWING IS A CONTROLLED DOCUMENT.		DWN B. ROMANCHUK 03 SEP 08	TE Connectivity	
DIMENSIONS: INCHES	TOLERANCES UNLESS OTHERWISE SPECIFIED:	CHK -	APVD M. STORRY 03 SEP 08	NAME PLUG ASSEMBLY, MICRO-D PER MIL-DTL-83513/01, MCKS SERIES, 21 POSITION
	0 PLC ± -	APVD M. STORRY 03 SEP 08	PRODUCT SPEC -	RESTRICTED TO
	1 PLC ± -	APPLICATION SPEC -	SCALE 4:1	SHEET 2 OF 2 REV B
MATERIAL	FINISH	WEIGHT	SIZE A2	
-	-	-	CAGE CODE 98278	DRAWING NO 1532211
CUSTOMER DRAWING			REVISIONS	

1532211

B

A

# Mouser Electronics

Authorized Distributor

Click to View Pricing, Inventory, Delivery & Lifecycle Information:

[TE Connectivity:](#)

[M83513/01-CN](#)