

THIS DRAWING IS UNPUBLISHED.

RELEASED FOR PUBLICATION

20

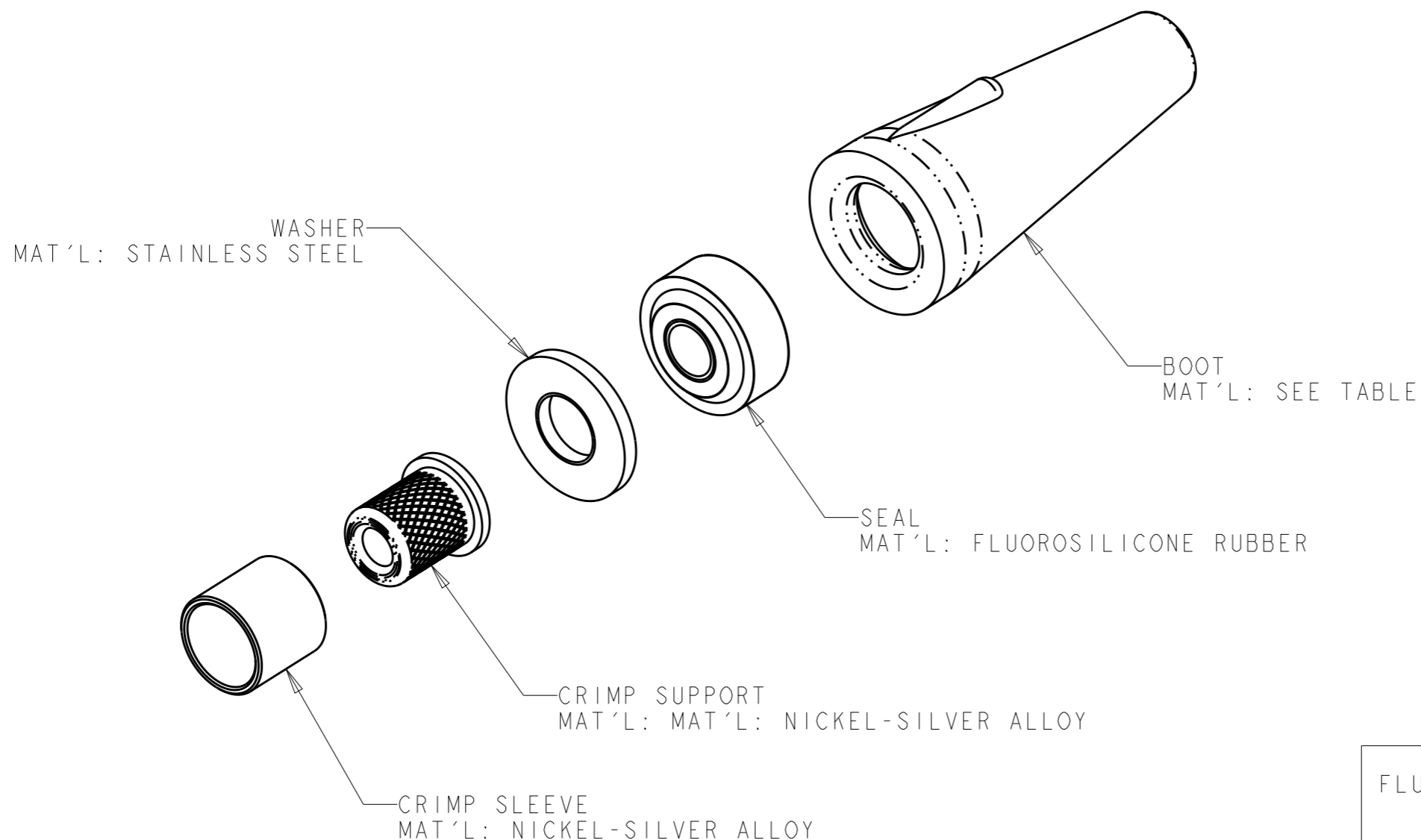
© COPYRIGHT 20 BY -

ALL RIGHTS RESERVED.

REVISIONS

P	LTR	DESCRIPTION	DATE	DWN	APVD
	B	ECR-15-008603	23JUN2015	KG	DW

I. PACKAGED LOOSE PIECE.



FLUROSILICONE RUBBER	6.2mm	1516228-6
	5.6mm	1516228-5
	5.1mm	1516228-4
EPDM RUBBER	6.2mm	1516228-3
	5.6mm	1516228-2
	5.1mm	1516228-1
BOOT MATERIAL	MAXIMUM CABLE SIZE	PART NUMBER

THIS DRAWING IS A CONTROLLED DOCUMENT.

DIMENSIONS:	TOLERANCES UNLESS OTHERWISE SPECIFIED:
mm	
	0 PLC ±-
	1 PLC ±-
	2 PLC ±-
	3 PLC ±-
	4 PLC ±-
	ANGLES ±-
MATERIAL	FINISH
-	-
-	-

DWN	26 JAN 2009
K. GLATFELTER	
CHK	26 JAN 2009
D. WERTMAN	
APVD	26 JAN 2009
D. WERTMAN	
PRODUCT SPEC	-
APPLICATION SPEC	-
WEIGHT	-
Customer Drawing	

STE TE Connectivity

NAME: CABLE ADAPTER KIT, SEALED BULKHEAD, PRO BEAM MINI

SIZE	CAGE CODE	DRAWING NO	RESTRICTED TO
A3	00779	C-1516228	-

SCALE: 2:1 SHEET 1 OF 1 REV B

Mouser Electronics

Authorized Distributor

Click to View Pricing, Inventory, Delivery & Lifecycle Information:

[TE Connectivity:](#)

[1516228-3](#)