

THIS DRAWING IS UNPUBLISHED.

RELEASED FOR PUBLICATION

20

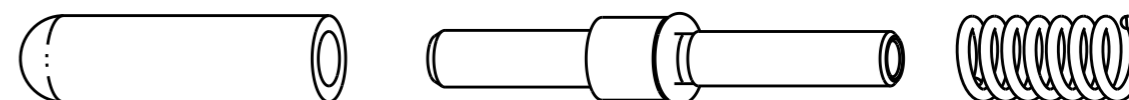
© COPYRIGHT 20 BY -

ALL RIGHTS RESERVED.

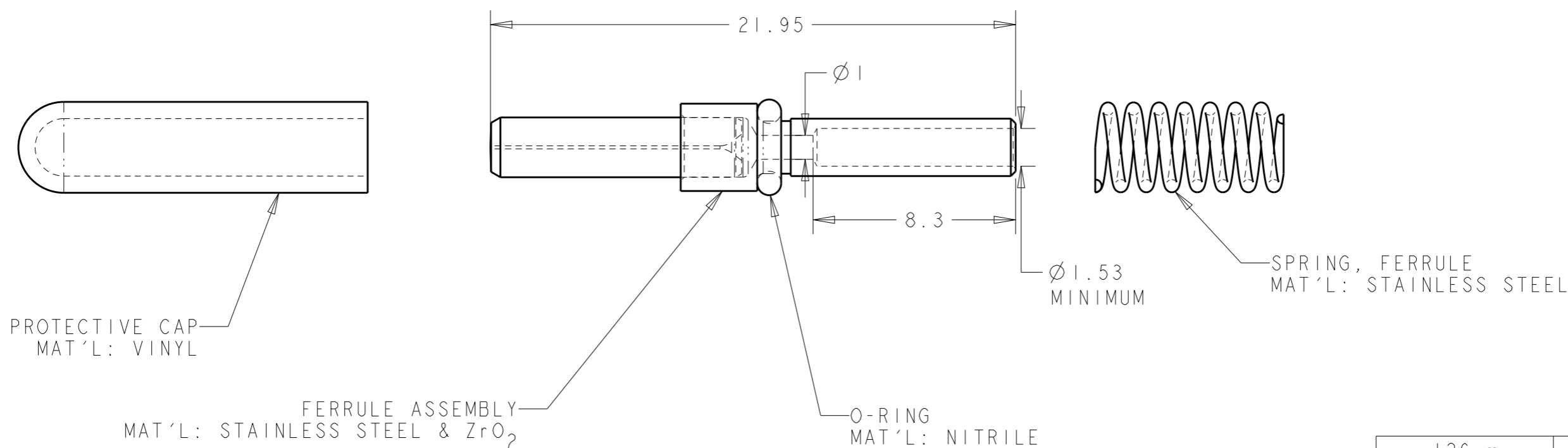
REVISIONS

P	LTR	DESCRIPTION	DATE	DWN	APVD
D		REVISE PER 0A00-0565-04	04NOV04	KG	DW
E		ECR-15-003024	01DEC2015	KG	DW
F		ECR-17-000370	17JAN2017	KG	DW


- 1. ALL DIMENSIONS ARE FOR REFERENCE ONLY.
- 2. FOR USE WITH TE PRO BEAM SR SINGLEMODE EXPANDED BEAM INSERT.



SCALE 3:1



126um	1515941-2
125um	1515941-1
FIBER SIZE	PART NUMBER

THIS DRAWING IS A CONTROLLED DOCUMENT.		DWN T. ALEXANDER 29 JAN 2002	 TE Connectivity	
DIMENSIONS: mm		CHK D. WERTMAN 29 JAN 2002		
TOLERANCES UNLESS OTHERWISE SPECIFIED:		APVD D. WERTMAN 01 FEB 2002	NAME FERRULE KIT, PC, PRO BEAM SR	
0 PLC $\pm$ - 1 PLC $\pm$ - 2 PLC $\pm$ - 3 PLC $\pm$ - 4 PLC $\pm$ - ANGLES $\pm$ -		PRODUCT SPEC -	RESTRICTED TO -	
MATERIAL AS LISTED		FINISH N/A	APPLICATION SPEC -	SIZE A3
		WEIGHT -	CAGE CODE 00779	DRAWING NO 1515941
CUSTOMER DRAWING			SCALE 5:1	SHEET 1 OF 1
			REV F	

# Mouser Electronics

Authorized Distributor

Click to View Pricing, Inventory, Delivery & Lifecycle Information:

[TE Connectivity:](#)

[1515941-2](#)