

THIS DRAWING IS UNPUBLISHED.

RELEASED FOR PUBLICATION

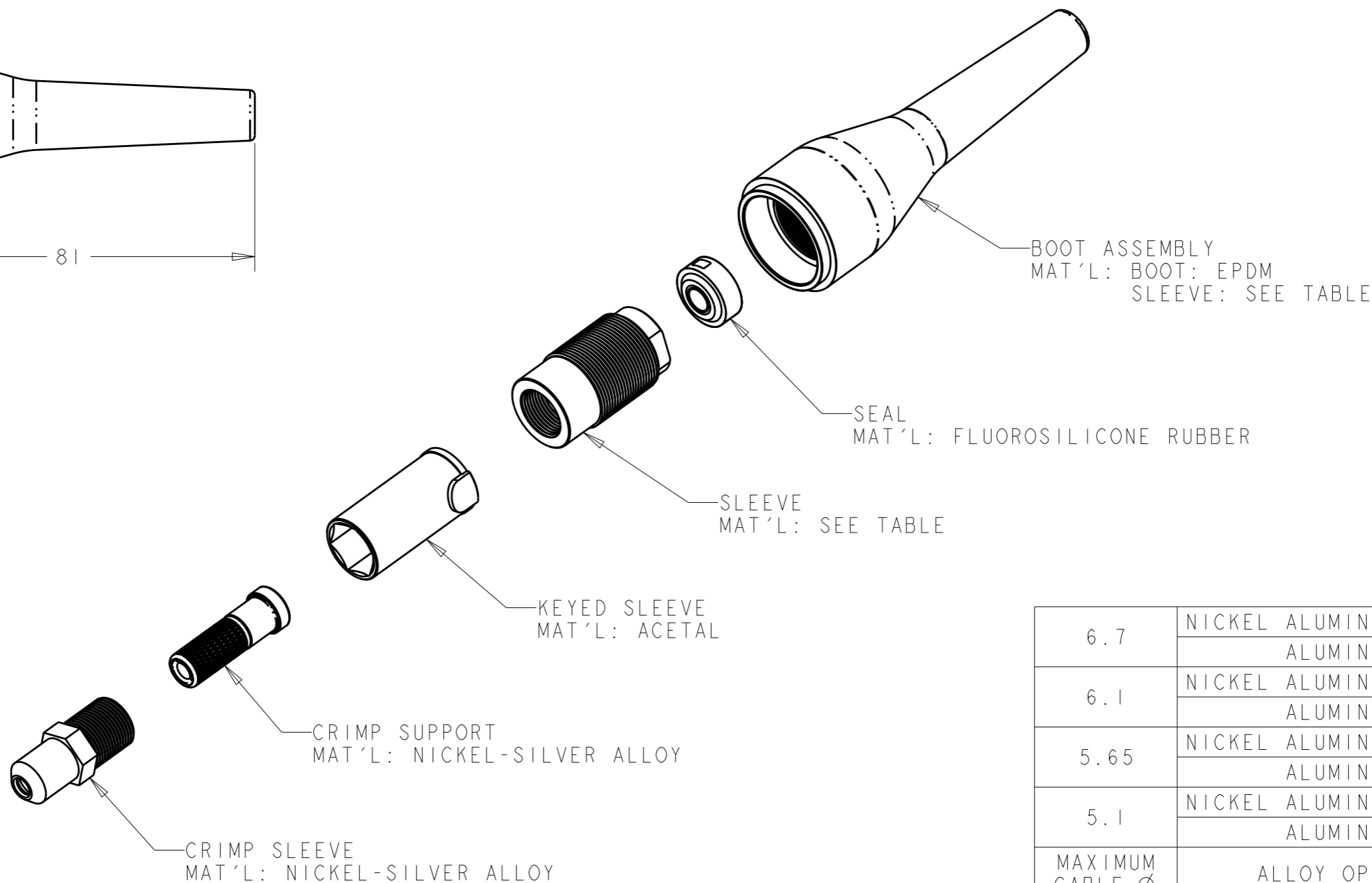
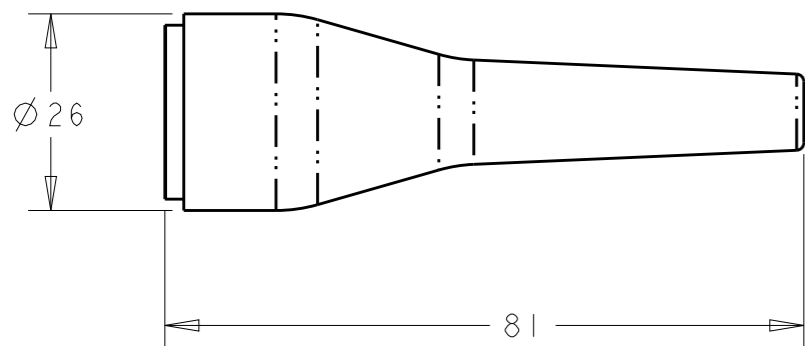
20

© COPYRIGHT 20 BY - ALL RIGHTS RESERVED.

REVISIONS

P	LTR	DESCRIPTION	DATE	DWN	APVD
	H	ECR-15-008603	23JUN2015	KG	DW

- 1. PACKAGED LOOSE PIECE.
- 2. DIMENSIONS ARE FOR REFERENCE ONLY.



6.7	NICKEL ALUMINUM BRONZE	1515940-8
	ALUMINUM	1515940-7
6.1	NICKEL ALUMINUM BRONZE	1515940-6
	ALUMINUM	1515940-5
5.65	NICKEL ALUMINUM BRONZE	1515940-4
	ALUMINUM	1515940-3
5.1	NICKEL ALUMINUM BRONZE	1515940-2
	ALUMINUM	1515940-1
MAXIMUM CABLE $\varnothing$	ALLOY OPTION	PART NUMBER

THIS DRAWING IS A CONTROLLED DOCUMENT.

DWN 26 JUL 2004  
K. GLATFELTER

CHK 10 AUG 2004  
D. WERTMAN

APVD 10 AUG 2004  
D. WERTMAN

PRODUCT SPEC -

APPLICATION SPEC -

WEIGHT -

Customer Drawing



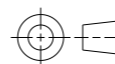
NAME  
CABLE ADAPTER KIT, PLUG,  
PRO BEAM SR.

SIZE CAGE CODE DRAWING NO RESTRICTED TO

A300779 C-1515940 -

SCALE 1:1 SHEET 1 OF 1 REV H

DIMENSIONS:  
mm



TOLERANCES UNLESS OTHERWISE SPECIFIED:

0 PLC	±-
1 PLC	±-
2 PLC	±-
3 PLC	±-
4 PLC	±-
ANGLES	±-

MATERIAL AS LISTED  
FINISH HARD ANODIZE (ALUM-ONLY)

# Mouser Electronics

Authorized Distributor

Click to View Pricing, Inventory, Delivery & Lifecycle Information:

[TE Connectivity:](#)

[1515940-4](#)