

THIS DRAWING IS UNPUBLISHED.

RELEASED FOR PUBLICATION

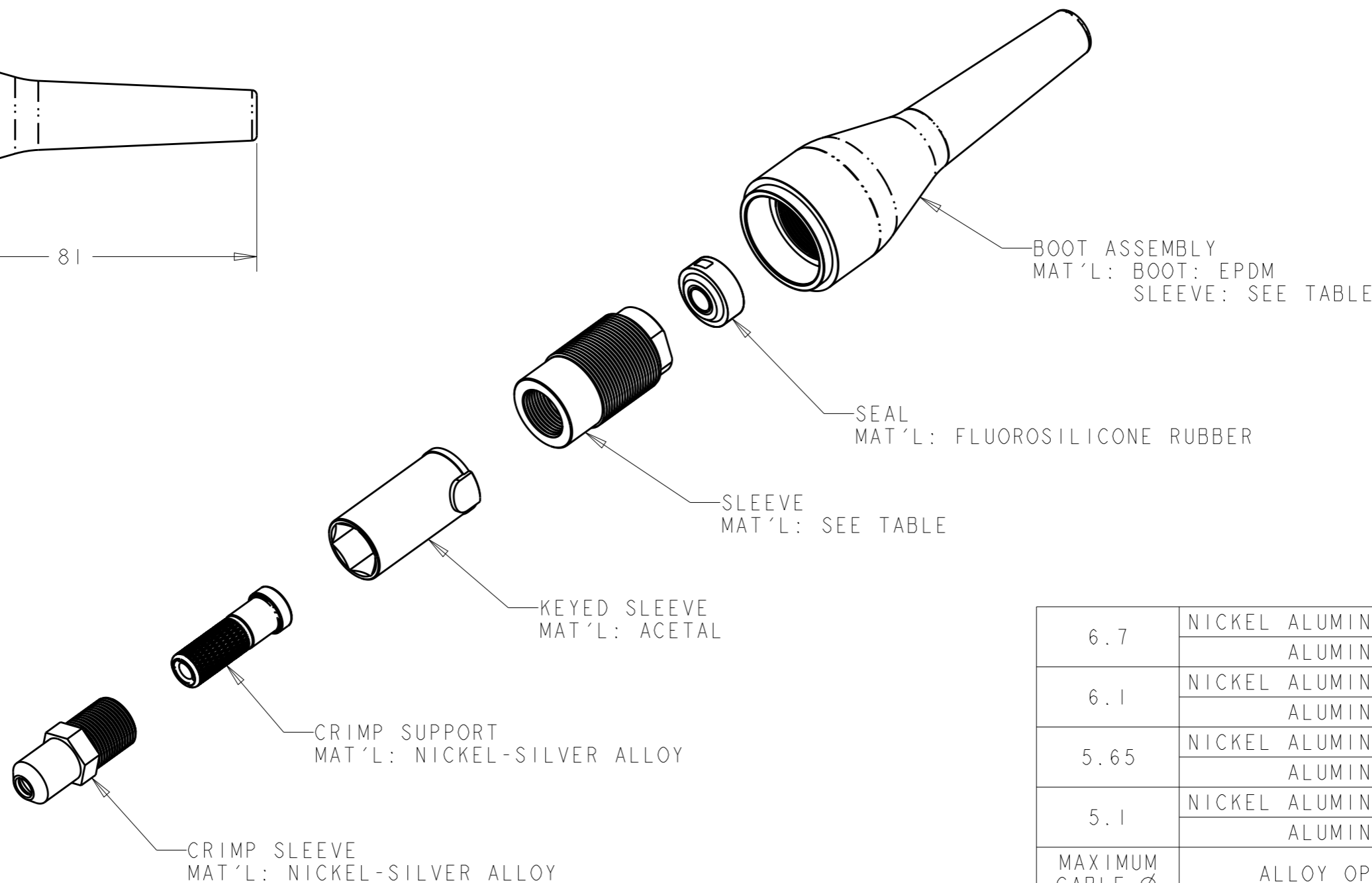
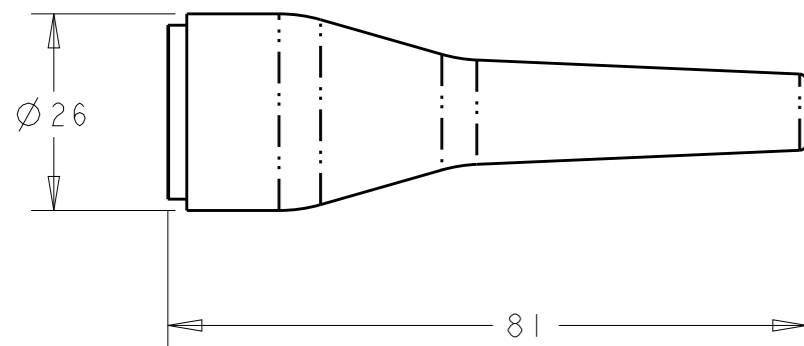
20

© COPYRIGHT 20 BY - ALL RIGHTS RESERVED.


REVISIONS

P	LTR	DESCRIPTION	DATE	DWN	APVD
	H	ECR-15-008603	23JUN2015	KG	DW

- 1. PACKAGED LOOSE PIECE.
- 2. DIMENSIONS ARE FOR REFERENCE ONLY.



6.7	NICKEL ALUMINUM BRONZE	1515940-8
	ALUMINUM	1515940-7
6.1	NICKEL ALUMINUM BRONZE	1515940-6
	ALUMINUM	1515940-5
5.65	NICKEL ALUMINUM BRONZE	1515940-4
	ALUMINUM	1515940-3
5.1	NICKEL ALUMINUM BRONZE	1515940-2
	ALUMINUM	1515940-1
MAXIMUM CABLE \varnothing	ALLOY OPTION	PART NUMBER

THIS DRAWING IS A CONTROLLED DOCUMENT.		DWN K. GLATFELTER 26 JUL 2004	 TE Connectivity	
DIMENSIONS: mm		CHK D. WERTMAN 10 AUG 2004		
TOLERANCES UNLESS OTHERWISE SPECIFIED:		APVD D. WERTMAN 10 AUG 2004	NAME CABLE ADAPTER KIT, PLUG, PRO BEAM SR.	
0 PLC \pm - 1 PLC \pm - 2 PLC \pm - 3 PLC \pm - 4 PLC \pm - ANGLES \pm -		PRODUCT SPEC -	-	
MATERIAL AS LISTED		APPLICATION SPEC -	SIZE A3	CAGE CODE 00779
FINISH HARD ANODIZE (ALUM-ONLY)		WEIGHT -	DRAWING NO C-1515940	RESTRICTED TO -
Customer Drawing			SCALE 1:1	SHEET 1 OF 1
			REV H	

Mouser Electronics

Authorized Distributor

Click to View Pricing, Inventory, Delivery & Lifecycle Information:

[TE Connectivity:](#)

[1515940-6](#)