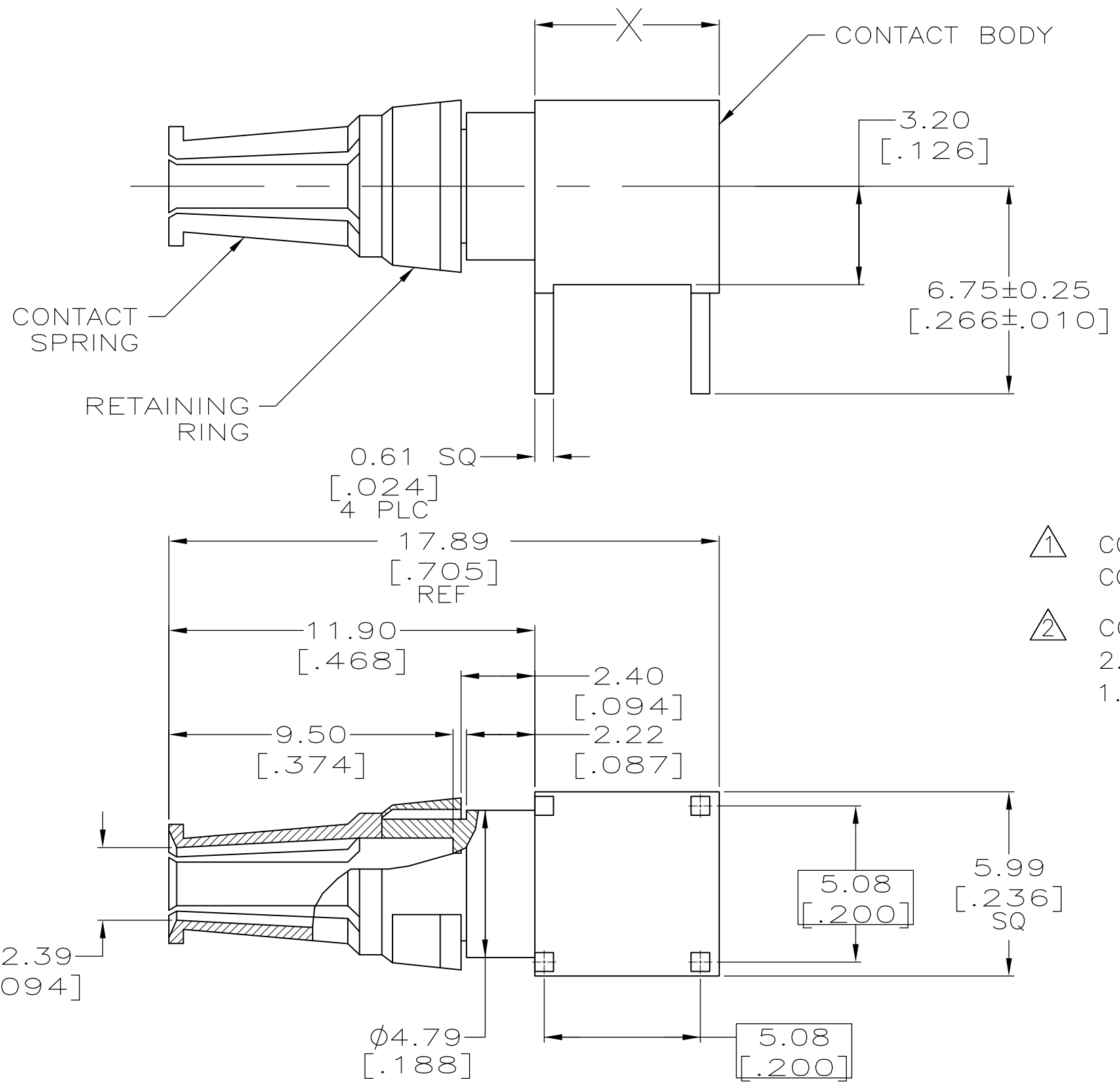


THIS DRAWING IS UNPUBLISHED. RELEASED FOR PUBLICATION
 © COPYRIGHT - BY TYCO ELECTRONICS CORPORATION. ALL RIGHTS RESERVED.

LOC	DIST	REVISIONS			
P	LTR	DESCRIPTION	DATE	DWN	APVD
AD	00				
	B	REV PER EC 0512-0302-05	05DEC05	BC	GS
	C	ECR-10-019054	15SEP10	DP	MQW



- 1 CONTACT SPRING & RETAINING RING: BERYLLIUM COPPER. CONTACT BODY: BRASS.
- 2 CONTACT FINISH: 0.76 μm [.000030] MIN GOLD IN CONTACT AREA, 2.54 μm [.000100] MIN TIN-LEAD IN AREA "X", ALL OVER 1.27 μm [.000050] MIN NICKEL.

148534-1
 PART NUMBER

THIS DRAWING IS A CONTROLLED DOCUMENT.		DWN B.CARBO 04 JUN 99	Tyco Electronics Corporation Harrisburg, PA 17105-3608	
DIMENSIONS: INCHES		CHK C.RICHARD 04 JUN 99	NAME	
TOLERANCES UNLESS OTHERWISE SPECIFIED:		APVD C.RICHARD 04 JUN 99	POWER CONTACT, EUROCARD TYPE M, FEMALE 90 DEG, PRINTED CIRCUIT BOARD MOUNT, MFBL, WITH SOLDER POSTS, (40 AMP)	
0-PLC ± .005 ± 0.2 1-PLC ± .005 2-PLC ± 0.13 [.005] 3-PLC ± .005 4-PLC ± .005 ANGLES ± .005		PRODUCT SPEC	SIZE A3	CAGE CODE 00779
MATERIAL 1		FINISH 2	DRAWING NO C-148534	RESTRICTED TO
		WEIGHT -	SCALE 6:1	SHEET 1 OF 1
		CUSTOMER DRAWING	REV C	

Mouser Electronics

Authorized Distributor

Click to View Pricing, Inventory, Delivery & Lifecycle Information:

[TE Connectivity:](#)

[148534-1](#)