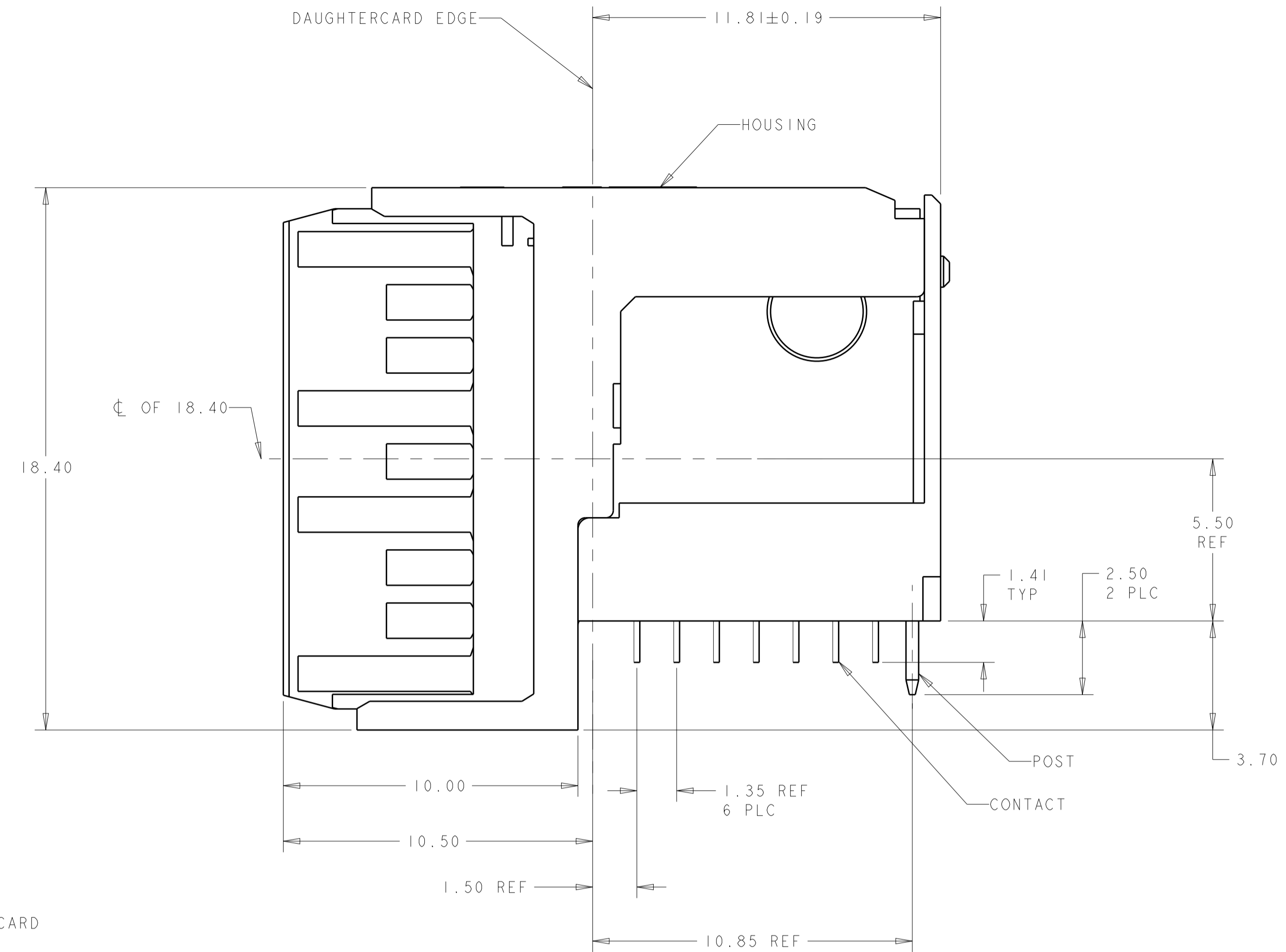
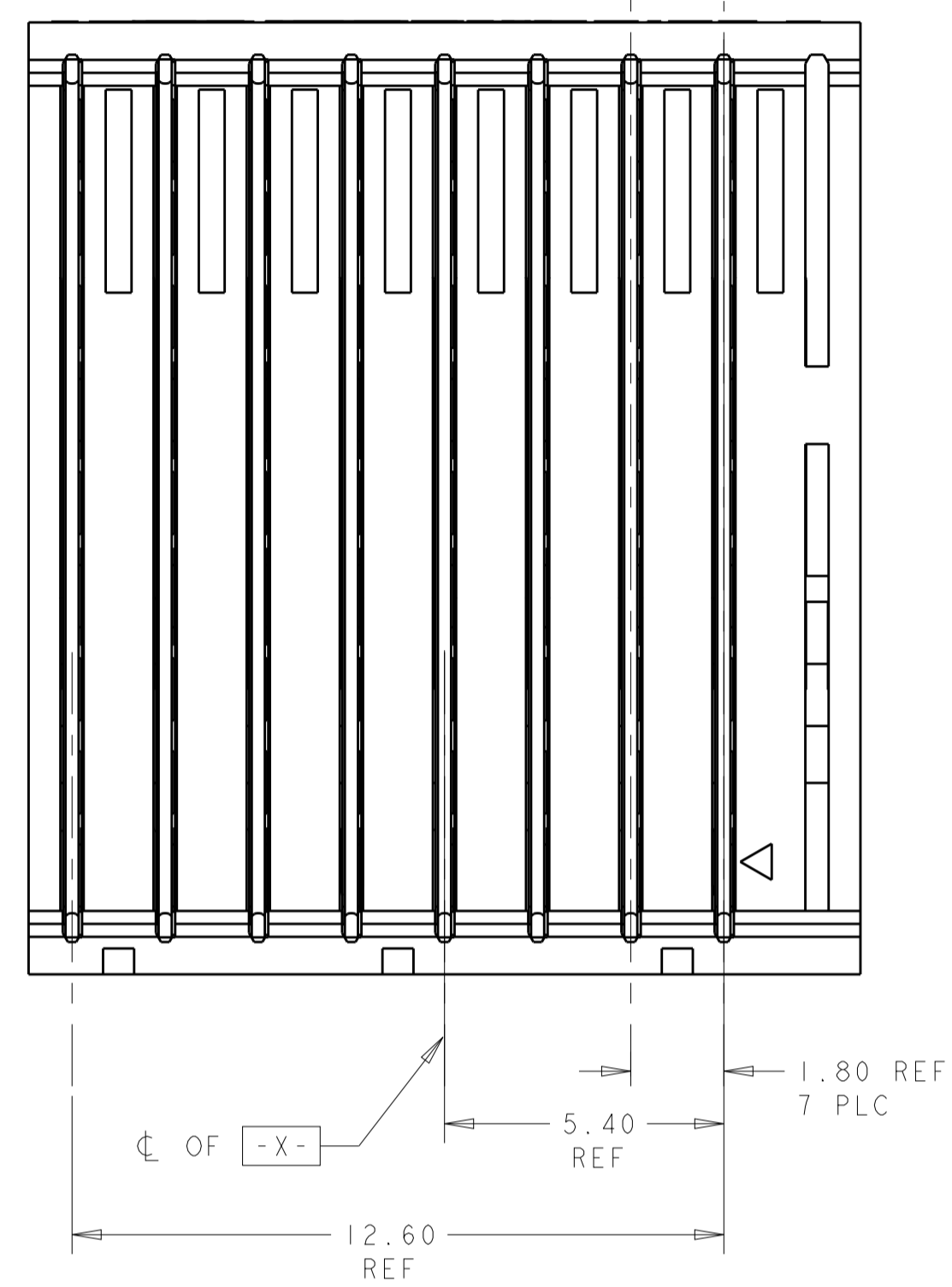


LOC		DIST		REVISIONS			
GP	00	P	LTN	DESCRIPTION	DATE	DWN	APVD
		B1		REVISED PER ECO-12-011792	20JUL2012	KH	AS

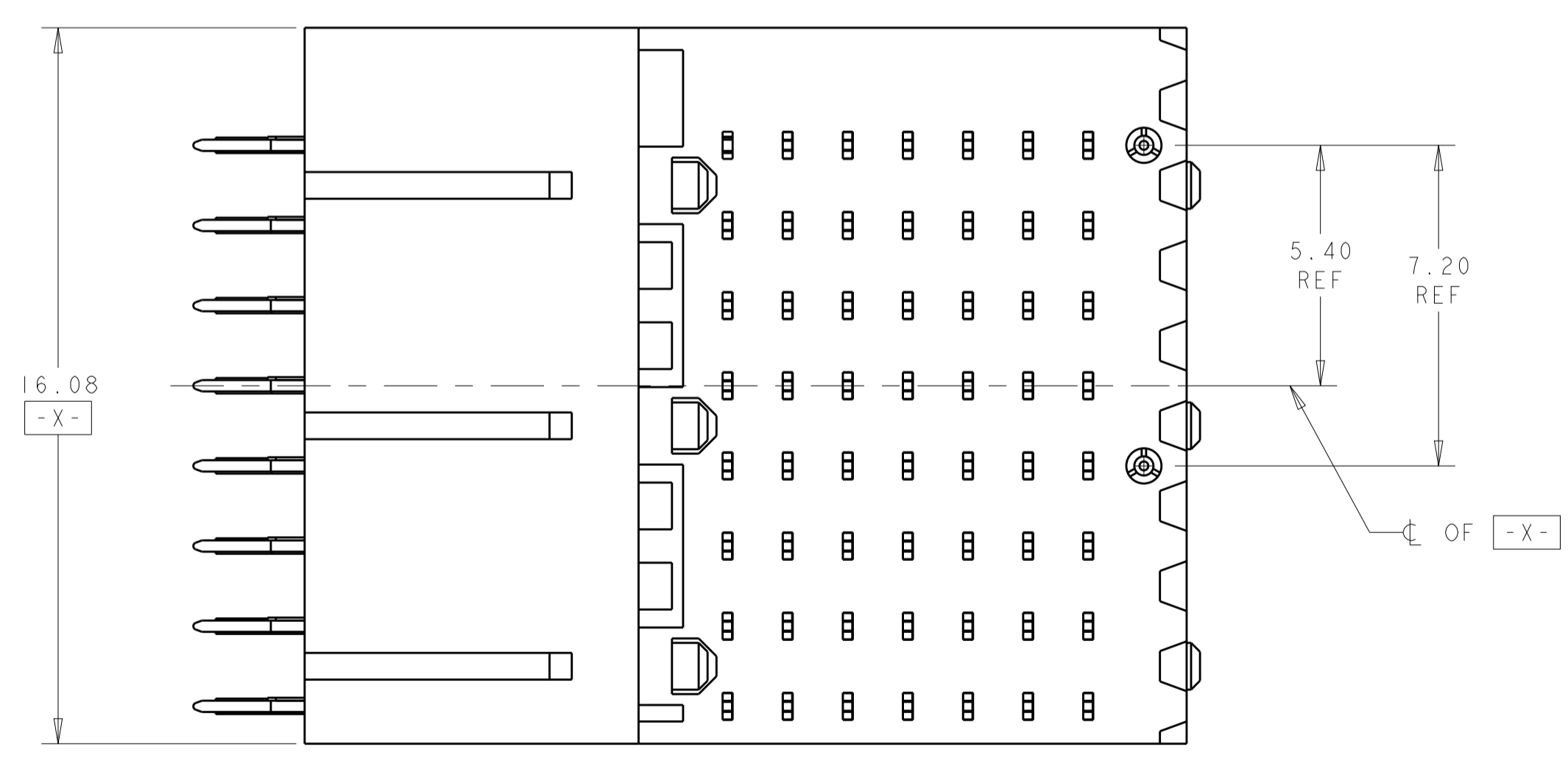
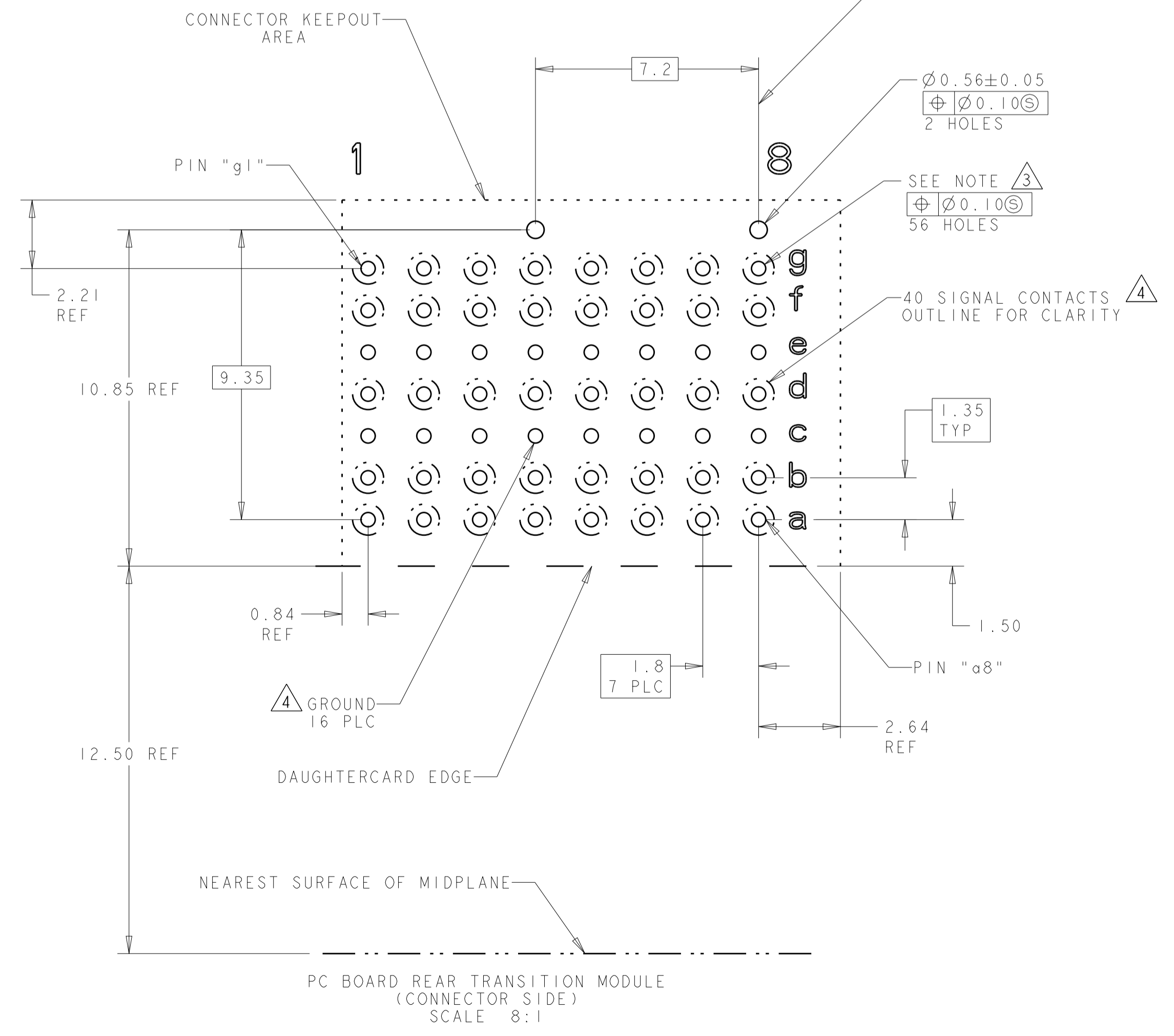


- △ HOUSING: LCP, UL94V0, COLOR: BLACK.
 CONTACT: PHOSPHOR BRONZE.
 POST: BRASS WIRE
- △ CONTACT: 1.27µm MIN GOLD IN PAD CONTACT AREA, 1.27µm MIN TIN-LEAD ON PCB TAIL OVER 1.27µm MIN. NICKEL OVER ALL.
 POST: 1.27µm MIN NICKEL PLATED.
- △ PLATE THROUGH HOLE PER 114-13056, FIGURE 4.
- △ SEE TABLE 1 FOR INTERCONNECTIONS TO BACKPLANE CONNECTOR.
- △ CONTACT: 1.27µm MIN GOLD IN PAD CONTACT AREA, 1.27µm MIN TIN ON PCB TAIL OVER 1.27µm MIN NICKEL OVER ALL.
 POST 1.27µm MIN NICKEL PLATED.

TABLE 1
 INTERCONNECTIONS WITH BACKPLANE CONNECTOR 1410186-1

TYPICAL INTERCONNECTIONS FOR EACH COLUMN (WAFER): 1, 2, 3, 4, 5, 6, 7, 8		
CONTACT USAGE	DAUGHTERCARD CONNECTOR PIN	BACKPLANE CONNECTOR PIN
SIGNAL	ax	bx
SIGNAL	bx	cx
SIGNAL	dx	ex
SIGNAL	fx	gx
SIGNAL	gx	hx
GROUND	cx, ex, (ALL COMMONED)	ax, dx, fx, ix

NOTE: "x" DESIGNATES THE COLUMN NUMBER



△ 5	1410972-4
△ 2	1410972-3
PLATING	PART NO

THIS DRAWING IS A CONTROLLED DOCUMENT.

DIMENSIONS:	TOLERANCES UNLESS OTHERWISE SPECIFIED:	DWN: R. IREDA 21FEB2006	NAME: RIGHT-ANGLE PLUG ASSEMBLY, 7 ROW, SE. HALF LEFT END, 20.3mm, MultiGig RT2, DAUGHTERCARD CONNECTOR, VITA 46
mm	0 PLC ±0.5 1 PLC ±0.5 2 PLC ±0.13 3 PLC ±0.13 4 PLC ±0.13 5 PLC ±0.13	CHK: G. GRIFFITH 21FEB2006	PRODUCT SPEC: 108-2072
APVD: G. GRIFFITH 21FEB2006	ANGLES: ±1°	APVD: G. GRIFFITH 21FEB2006	APPLICATION SPEC: 114-13056
MATERIAL: △	FINISH: △	SIZE: 114-13056	WEIGHT: -
SEE TABLE	CUSTOMER DRAWING	SCALE: 8:1	SHEET 1 OF 1

STC TE Connectivity

100779C=1410972

Mouser Electronics

Authorized Distributor

Click to View Pricing, Inventory, Delivery & Lifecycle Information:

[TE Connectivity:](#)

[1410972-3](#)