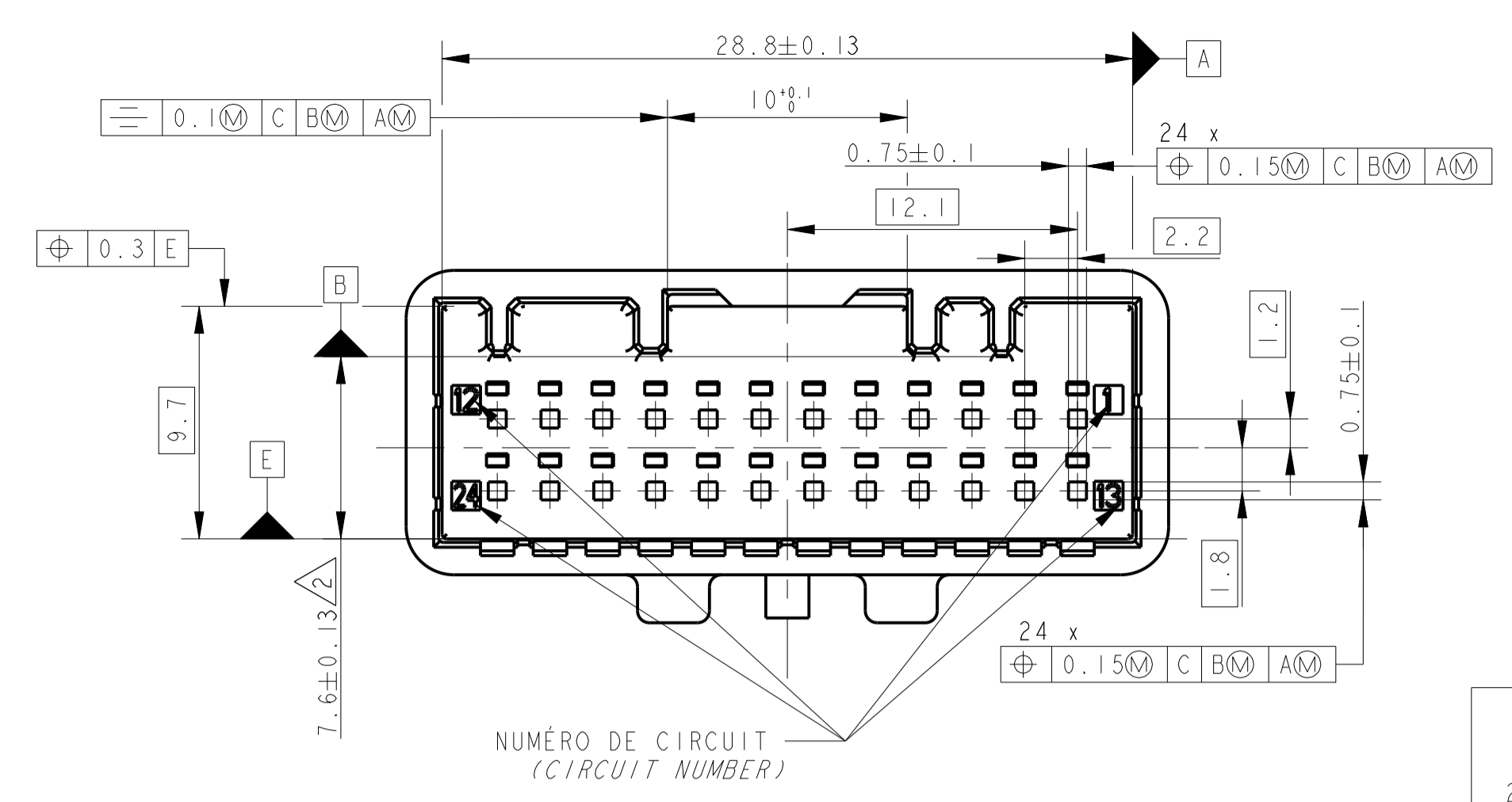
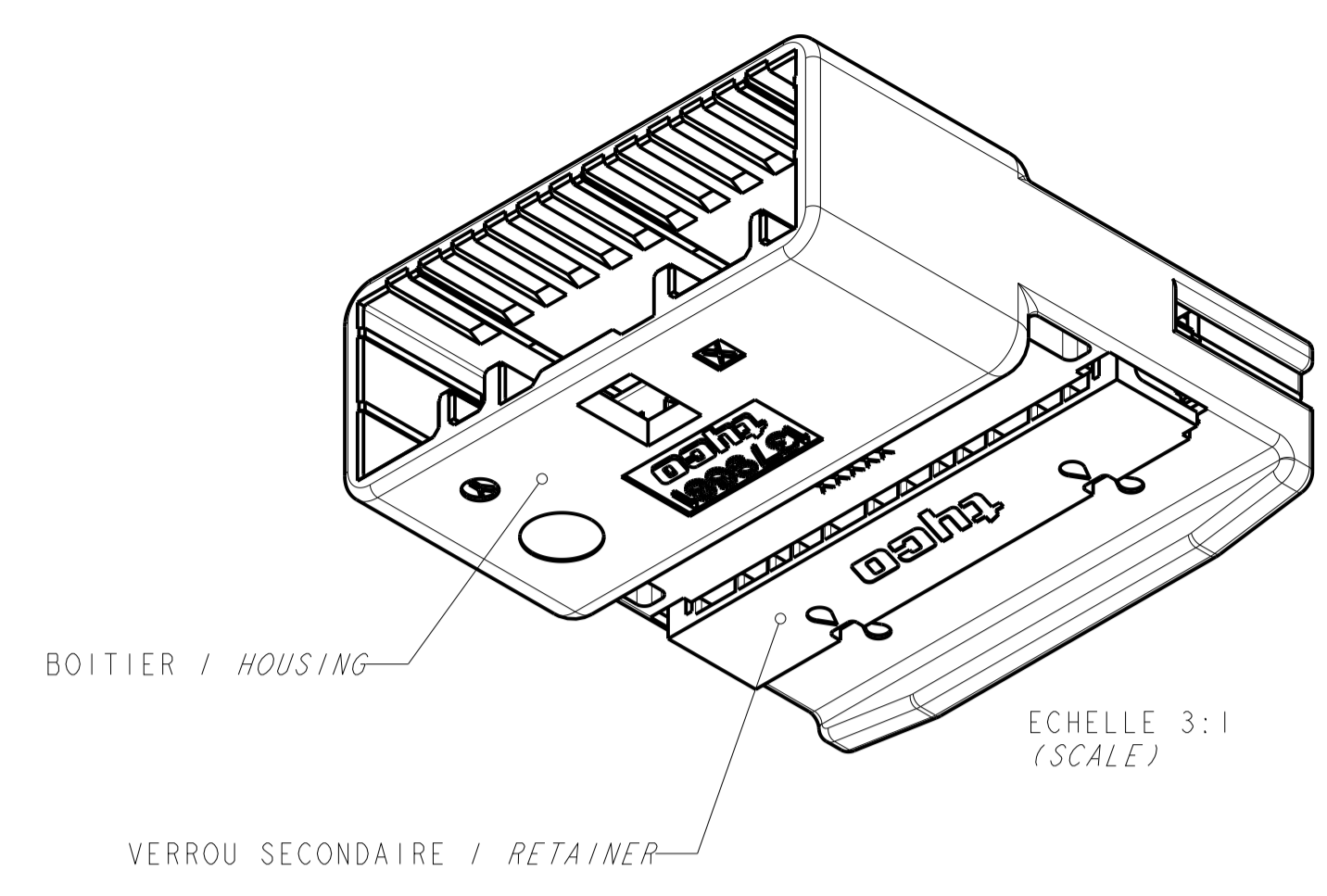
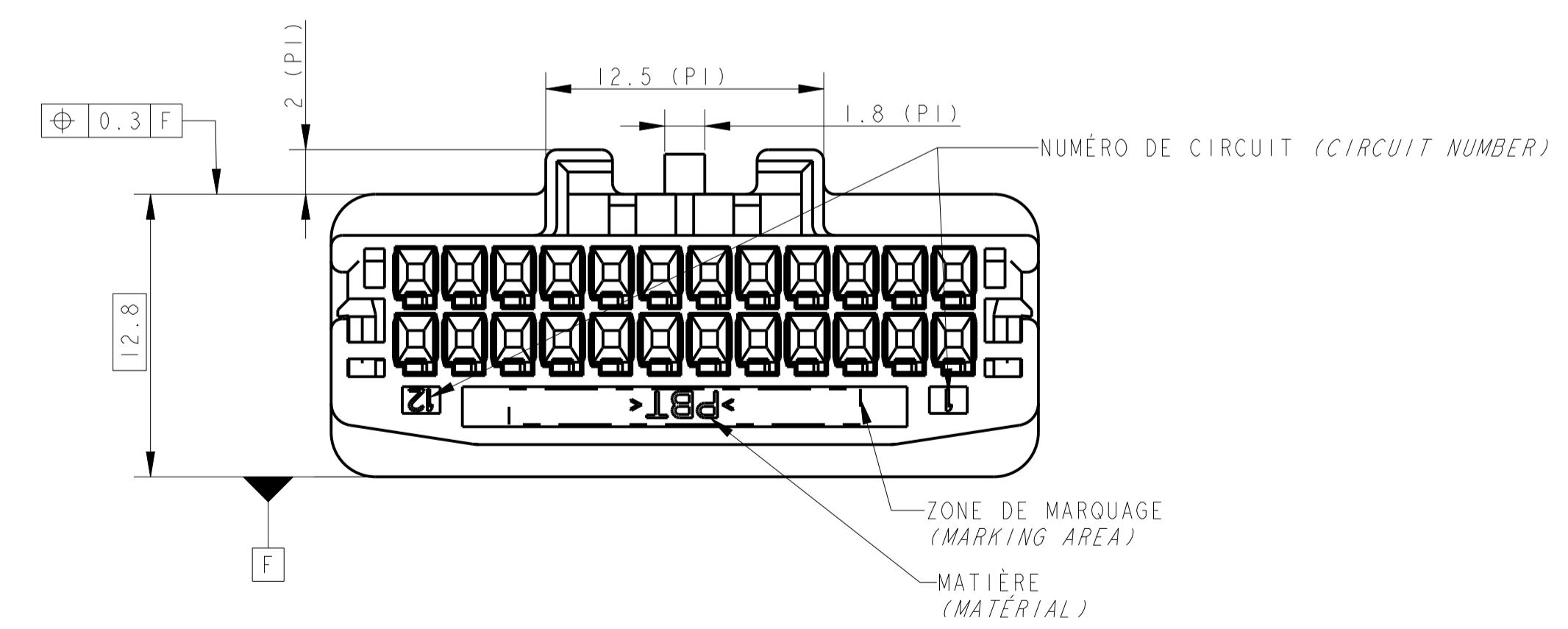
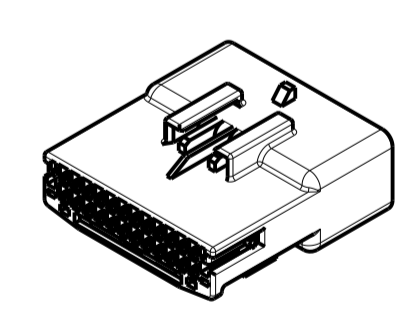
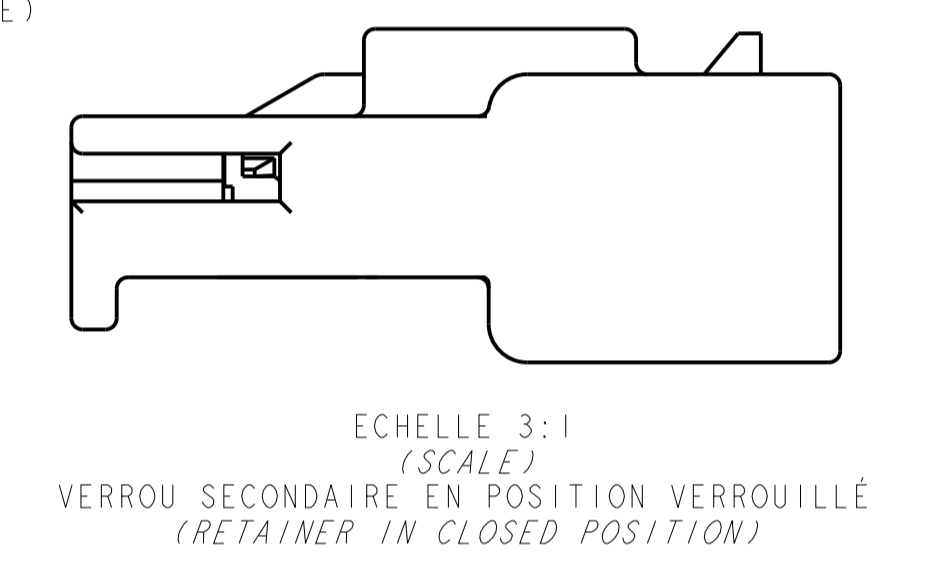
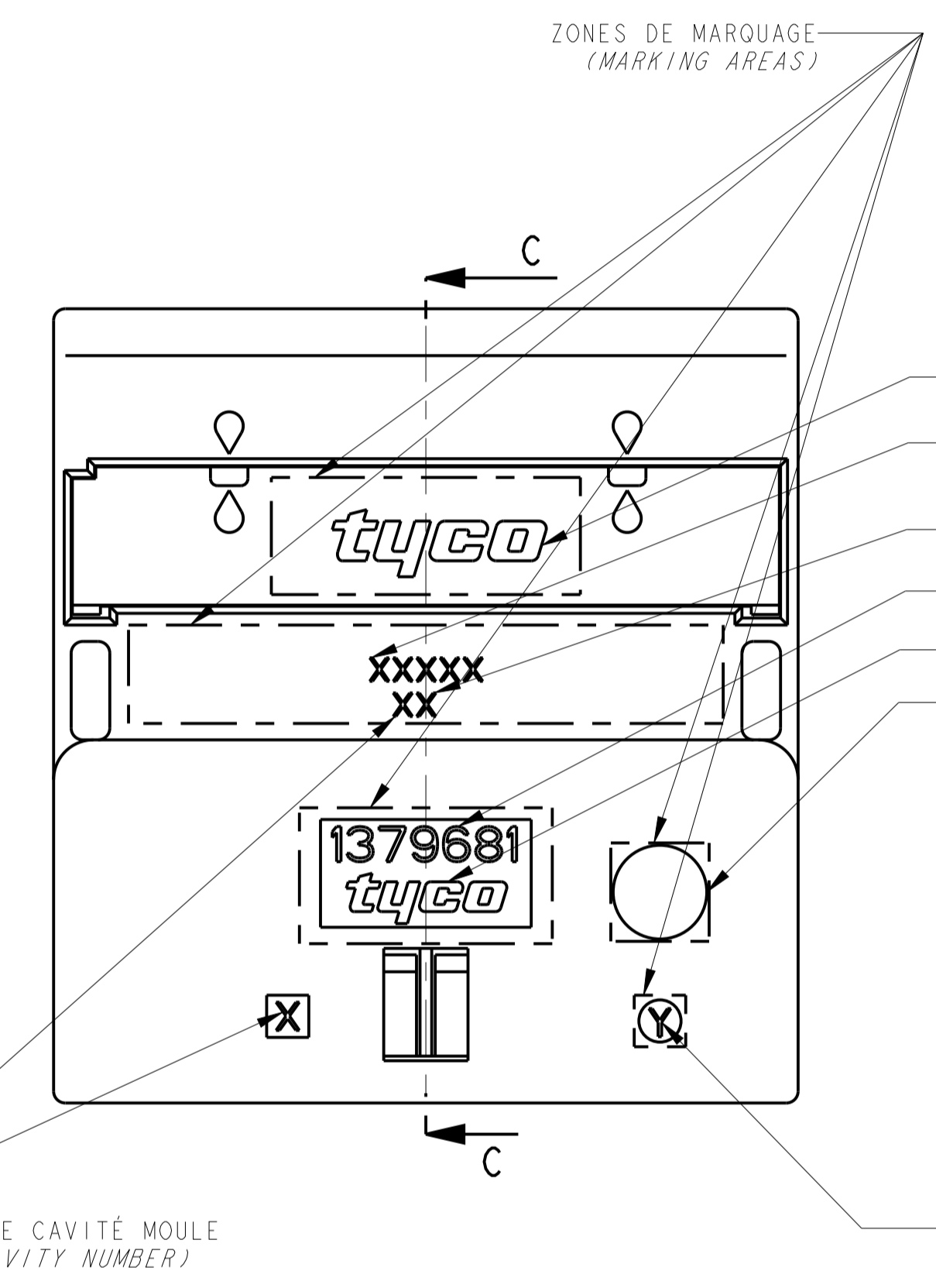
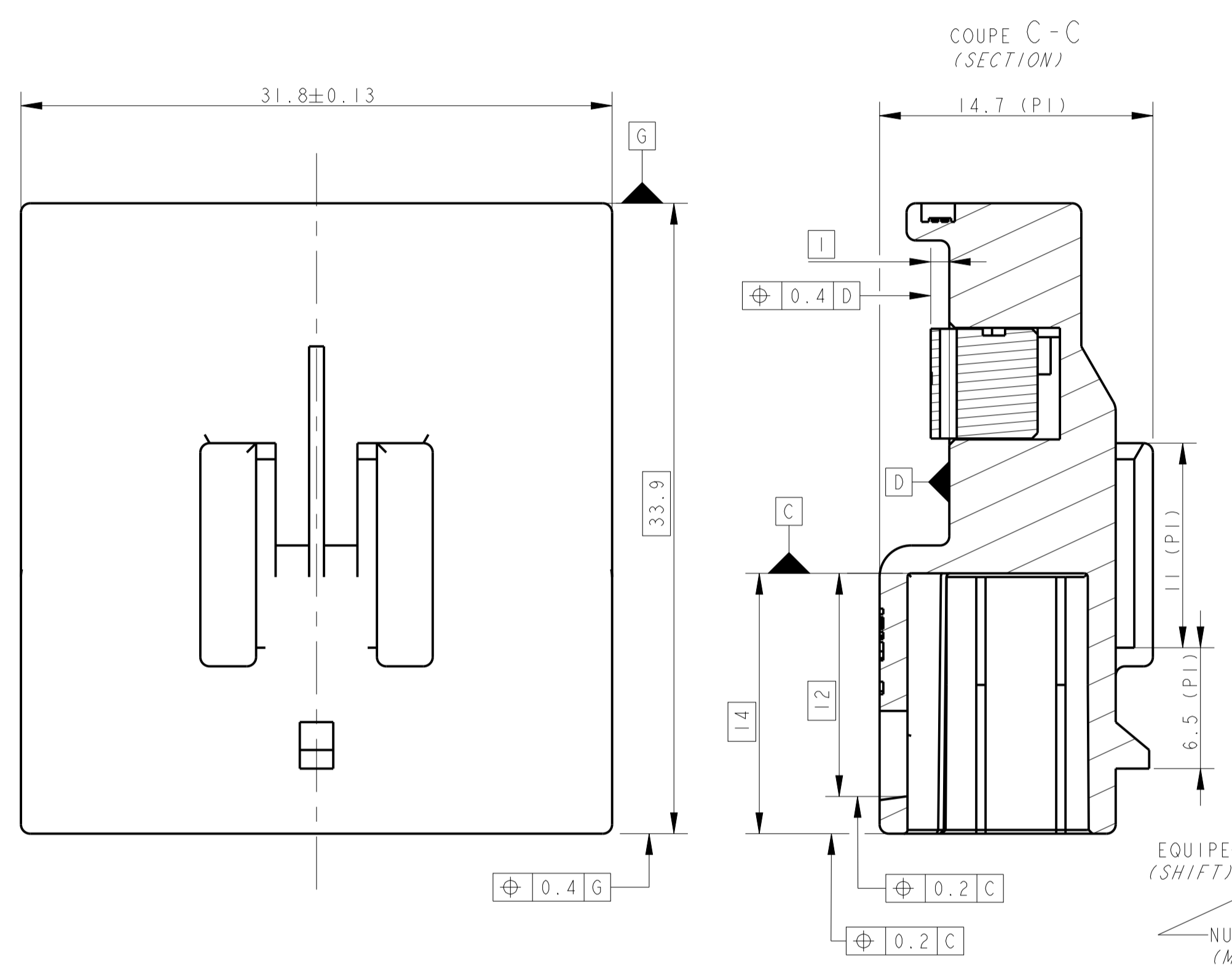


REVISIONS					
P.	LTN	DESCRIPTION	DATE	DWN	APPV
E		UPGRADE ASSEMBLY REVISION WITHOUT CHANGE	06DEC2013	DB	JPP
F		ADD PART NUMBER 1379681-5	04MAR2014	DB	JPP



NOTES : LES NOTES LOCALES SONT ENTRE <->  
 SPECIFICATIONS DE REFERENCE :  
 2 SPECIFICATION TE : 108-15299  
 4 PLAN D'INTERFACE TE : 1379778  
 NOTES COMPLEMENTAIRES :  
 12 CAHIER DE PRECONISATION : 411-15672  
 13 REFERENCE REPRESENTEE : 1379681-1  
 14 VERROU SECONDAIRE PREVERROUILLE (POSITION PREFERENTIELLE DE LIVRAISON). SI LE VERROU N'EST PAS DANS CETTE POSITION, SUIVRE LES INSTRUCTIONS DE LA NOTICE TECHNIQUE TE 411-15672 §8.2  
 PI POUR INFORMATION

LOCALE NOTES ARE BETWEEN <->  
 APPLICABLE SPECIFICATION :  
 TE SPECIFICATION (SEE BEFORE)  
 TE INTERFACE DRAWING (SEE BEFORE)  
 ADDITIONAL NOTES :  
 INSTRUCTION SHEET : (SEE BEFORE)  
 PART NUMBER SHOWN (SEE BEFORE)  
 SECONDARY LOCK IN PRELOCKED POSITION (PREFERRED DELIVERY POSITION). IF SECONDARY LOCKING IS NOT IN THIS POSITION, FOLLOW INSTRUCTIONS OF TE SPECIFICATION 411-15672 §8.2  
 FOR REFERENCE ONLY



CONTACTS ASSOCIES (APPLIED CONTACTS)		
REF TE / TE PN	FINITION (FINISH)	DESIGNATION (DESIGNATION)
-	-	-
1674742-1	ETAME (TINNED)	LANGUETTE 0.635 (0.635 TAB) 0.35 A 0.5 MM <sup>2</sup> (SQMM)

REF TE / TE PN	DESCRIPTION / DESCRIPTION	CODAGE / KEYING	MATIERE BOITIER - MATIERE VERROU SECONDAIRE / HOUSING MATERIAL - RETAINER MATERIAL	COULEUR BOITIER - COULEUR VERROU SECONDAIRE / HOUSING COLOR - RETAINER COLOR	REVISION ASSEMBLAGE / ASSEMBLY REVISION CODE
1379681-5	CONNECTEUR 24 VOIES / 24 WAY CONNECTOR	NEUTRE / NEUTRAL	PBT-PBT / PBT-PBT	NATUREL-NATUREL / NATURAL-NATURAL	A
1379681-2	CONNECTEUR 24 VOIES / 24 WAY CONNECTOR	2 / 2	PBT-PBT / PBT-PBT	GRIS-NATUREL / GREY-NATURAL	A
1379681-1	CONNECTEUR 24 VOIES / 24 WAY CONNECTOR	1 / 1	PBT-PBT / PBT-PBT	NOIR-NATUREL / BLACK-NATURAL	A

THIS DRAWING IS A CONTROLLED DOCUMENT. CE PLAN EST UN DOCUMENT CONTRÔLÉ PAR TYCO ELECTRONICS. IL EST SPÉCIFIQUE À CE PRODUIT. CONTACTER LE SERVICE TECHNIQUE DE TYCO ELECTRONICS POUR OBTENIR LA MEILLEURE RÉVISION.

DWN / DRESSINE: 29NOV2002  
 G. ROUZE  
 C. ROUZE  
 B. DUPONT

APV / APPROVE: 04DEC2002  
 JP. PLICAUD

NAME: 025 TH 24 POS TAB HOUSING

PRODUCT SPEC: SEE TABLE  
 SPEC. PRODUCT: SEE TABLE  
 APPLICATION SPEC: SEE TABLE  
 SPEC. APPLICATION: SEE TABLE

SIZE: A1  
 CAGE CODE: -  
 DRAWING NO: 1379681  
 No. PLAN: -

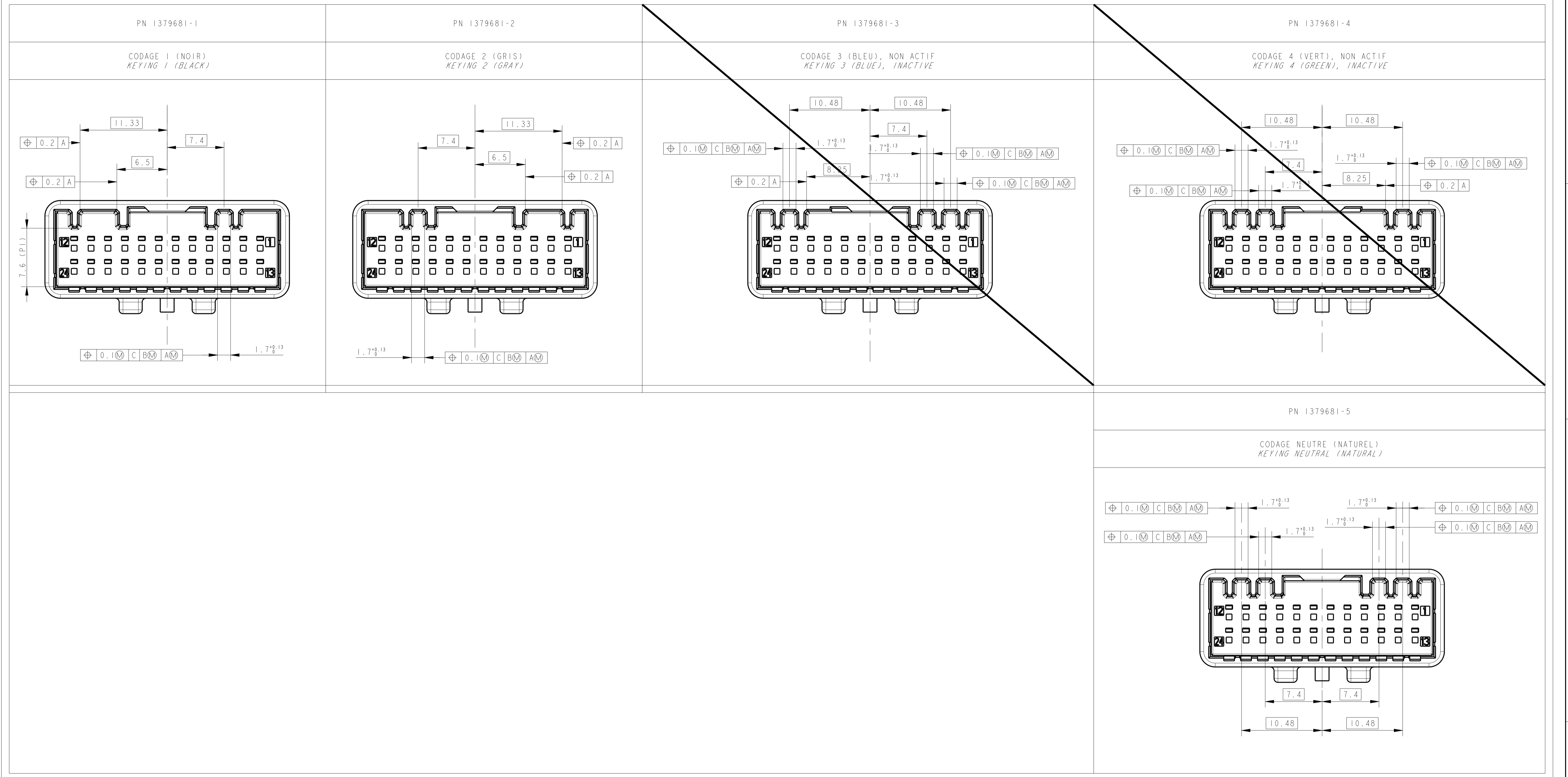
RESTRICTED TO RESERVE A

WEIGHT: 5.9g  
 MASSES APPROX.: -

Customer Drawing / PLAN CLIENT

UNIFORMITÉ / UNIFORMITY: -  
 SCALE: 4:1  
 SHEET / FEUILLE: 1 OF 2  
 REV: F

REVISIONS					
P.	LTN	DESCRIPTION	DATE	DWN	APPV
-	REV	MODIFICATIONS			
-		SEE SHEET 1			



THIS DRAWING IS A CONTROLLED DOCUMENT. CE PLAN EST UN DOCUMENT CONTRÔLÉ PAR TIPO ELECTRONICS - IL EST SOUS LE SEUL CONTRÔLE DE TIPO ELECTRONICS - LE SEUL DOCUMENT ÉLECTRONIQUE SÉRIÉLIÉ À CE PLAN.		DWN / REVISION: 29NOV2002 C. ROUZE CHK / REVISION: 02DEC2002 B. DUPONT		TE Connectivity							
DIMENSIONS: mm		TOLERANCES UNLESS OTHERWISE SPECIFIED: 0 PLC / DEC: ±0.2 1 PLC / DEC: ±0.2 2 PLC / DEC: ±0.2 3 PLC / DEC: ±0.2 4 PLC / DEC: ±0.2 ANGLES: ±0.5°		APVD / APPROVE: 04DEC2002 IP: P1C/AUD PRODUCT SPEC: SPEC. PRODUCT: SEE TABLE APPLICATION SPEC: SPEC. APPLICATION: SEE TABLE		NAME: 025 TH 24 POS TAB HOUSING					
MATERIAL / MATIÈRE: SEE TABLE		FINISH / FINITION: -		WEIGHT: MASSE APPROX.: 5.9g		SIZE / FORMAT: A1 CAGE CODE / DRAWING NO: - / 1379681		RESTRICTED TO: RESERVE A			
4805 (3/13)		Customer Drawing		/PLAN CLIENT		UNIFORMITY / ÉCHELLE: 4:1		SHEET / FEUILLE: 2 DE 2		REV: F	

# Mouser Electronics

Authorized Distributor

Click to View Pricing, Inventory, Delivery & Lifecycle Information:

[TE Connectivity:](#)

[1379681-1](#)