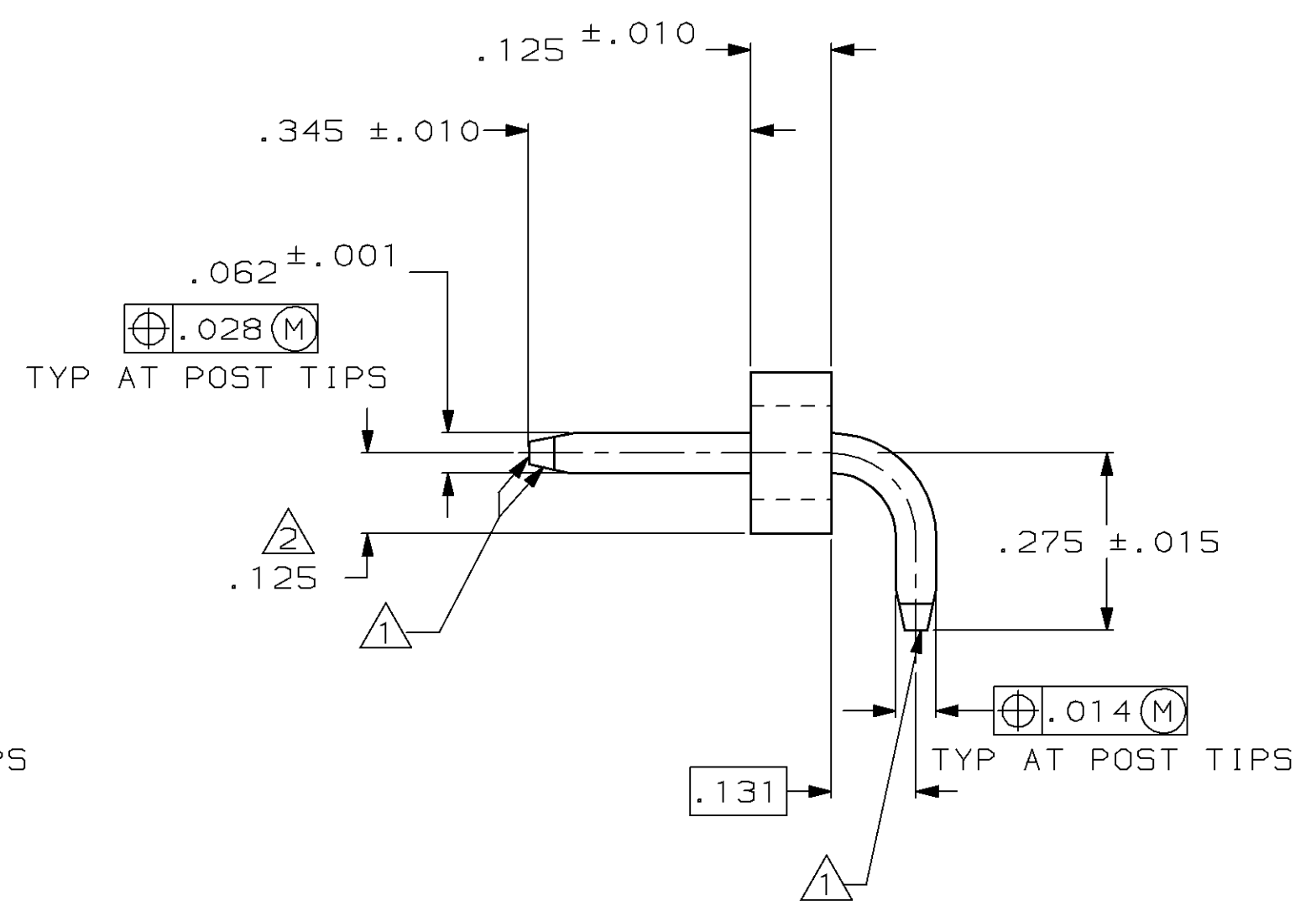
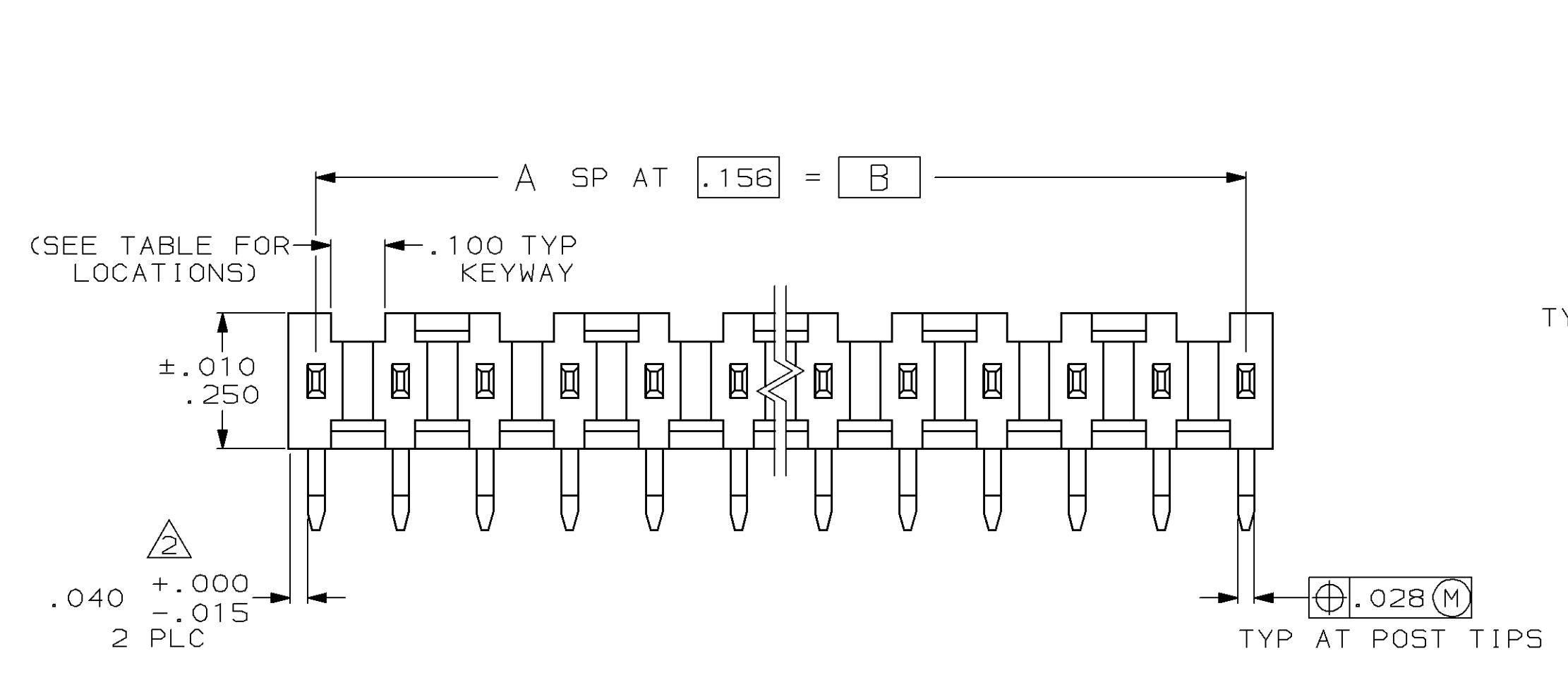
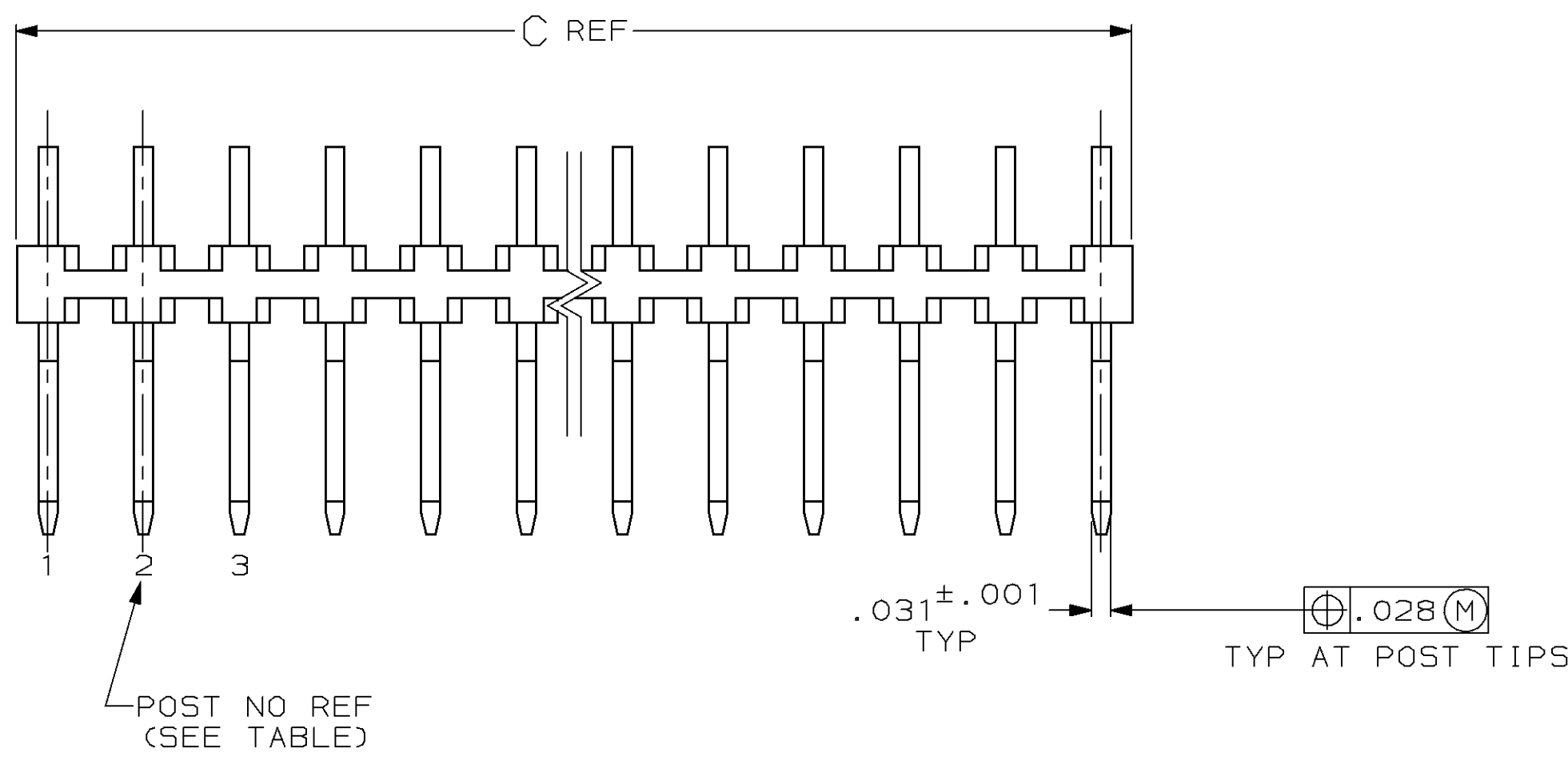
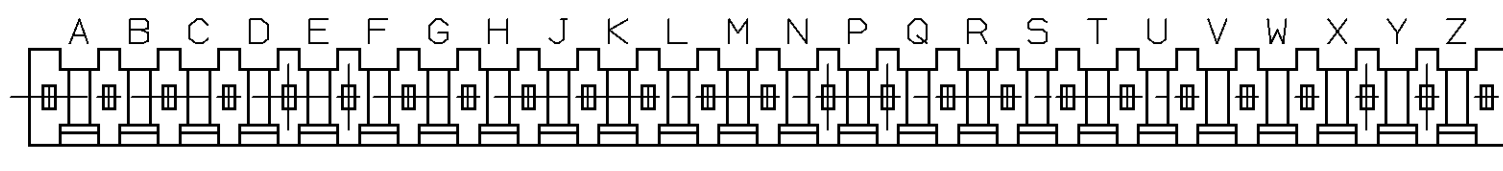
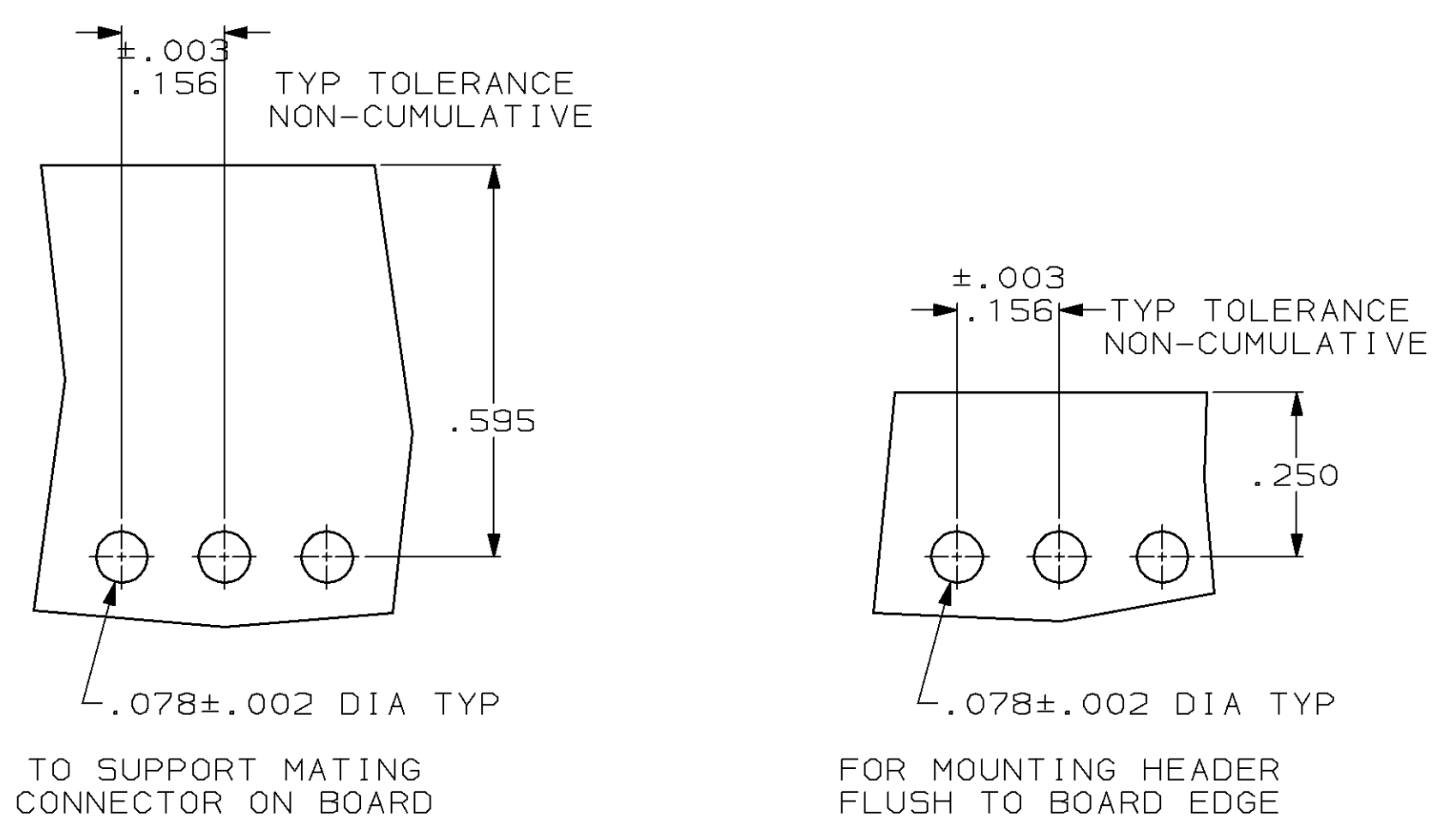


DRAWING MADE IN THIRD ANGLE PROJECTION
 THIS DRAWING IS UNPUBLISHED. RELEASED FOR PUBLICATION
 © COPYRIGHT 19 BY AMP INCORPORATED, HARRISBURG, PA. ALL INTERNATIONAL RIGHTS RESERVED. AMP PRODUCTS MAY BE COVERED BY U.S. AND FOREIGN PATENTS AND/OR PATENTS PENDING.

LOC		DIST		REV		REV		REV		REV	
AD	39	P	F	ZONE	LTR	DESCRIPTION	DATE	APPD			
				A		REV & REDRAWN EGN 1413 & 1575	-				
				B		REV LOC & DIST AD-4171	3-90	BF			
				C		REV PER 0010-0719-95	4-4-96	JH			
				D		REV PER 0310-0048-97	7-14-97	JH			



△ THE TIPS OF THE POSTS WILL NOT BE PLATED
 △ THE NOTED DIMENSIONS APPLY AT THE INTERSECTION OF THE POST AND THE HOUSING



KEYWAY LOCATIONS (REF-SEE TABLE)
 (MATING LENGTH OF POST ON NEAR SIDE)
 SCALE: 2:1

POST NUMBER OMITTED	NO OF ACTIVE POSN	KEYWAY LOCATIONS	NO OF KEYWAY	C	B	A	NO OF POSN	ASSEMBLY PART NUMBER
4,5	3	A, D	2	.735	.624	4	5	102969-1

UNLESS OTHERWISE SPECIFIED DIMENSIONS ARE IN INCHES TOLERANCES ON :		DR 3-22-88 H. MOLL	AMP INCORPORATED Harrisburg, Pa. 17105
2 PL DEC ± .005 3 PL DEC ± .005 ANGLES ± .		CHK 3-23-88 E. TREECE	
MATERIAL HOUSING - FLAME RETARDANT THERMOPLASTIC, COLOR - BLACK		APPD 3-23-88 E. TREECE	NAME HEADER ASSEMBLY, MOD I, RIGHT ANGLE, SINGLE ROW, .156¢, SELECTIVELY LOADED
POSTS - BRASS FINISH POSTS: PRE-PLATED STOCK: .00015 GOLD OVER .00050 NICKEL		APPD 3-23-88 J. SCHIEFER	
PRODUCT SPEC		108-25016	SIZE
APPLICATION SPEC		-	FSCM NO
WEIGHT		-	D 00779
SCALE 4:1			DRAWING NO
SHEET 1 OF 1			102969

Mouser Electronics

Authorized Distributor

Click to View Pricing, Inventory, Delivery & Lifecycle Information:

[TE Connectivity:](#)

[102969-1](#)