



Raychem

TE Internal #: 653817-000

Heat Shrink Boots, 90°, Molded Part Shape Code 222, Lipped, 25, 25, Adhesive Pre-Coat, Operating Temperature Range -75 – 150 °C [-103 – 302 °F]

[View on TE.com >](#)

Wire Protection & Management > Heat Shrink Molded Shapes > Heat Shrink Boots



Molded Part Shape: 90°

Molded Part Shape Code: 222

Lipped: Yes

Material Code: 25

Heat Shrink Boot Material Systems Code: 25

## Features

### Product Type Features

Molded Part Shape	90°
-------------------	-----

### Configuration Features

Lipped	Yes
--------	-----

### Body Features

Material Code	25
Heat Shrink Boot Material Systems Code	25
Adhesive Pre-Coat	Yes
Material	Fluid Resistant Modified Elastomer

### Dimensions

Inside Diameter as Supplied	26.8 mm[1.055 in]
Cable Diameter Range	26.8 mm[1.05 in]

### Usage Conditions

Operating Temperature Range	-75 – 150 °C[-103 – 302 °F]
-----------------------------	-----------------------------

### Operation/Application

Power Cable Accessory	No
-----------------------	----

### Industry Standards

Government Qualified	No
----------------------	----



**Other**

Molded Part Shape Code	222
Fluid/Chemical Resistance	Long-Term Exposure at High Temperature
Adhesive Type	High Performance Pre-Coat Adhesive

**Product Compliance**

[For compliance documentation, visit the product page on TE.com>](#)

EU RoHS Directive 2011/65/EU	Compliant
EU ELV Directive 2000/53/EC	Compliant
China RoHS 2 Directive MIIT Order No 32, 2016	No Restricted Materials Above Threshold
EU REACH Regulation (EC) No. 1907/2006	Current ECHA Candidate List: JAN 2021 (211) Candidate List Declared Against: JAN 2021 (211) Does not contain REACH SVHC
Halogen Content	Not Low Halogen - contains Br or Cl > 900 ppm.
Solder Process Capability	Not applicable for solder process capability

Product Compliance Disclaimer

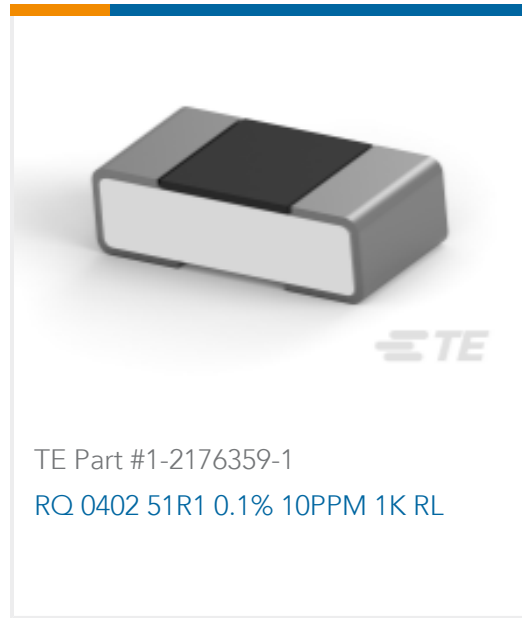
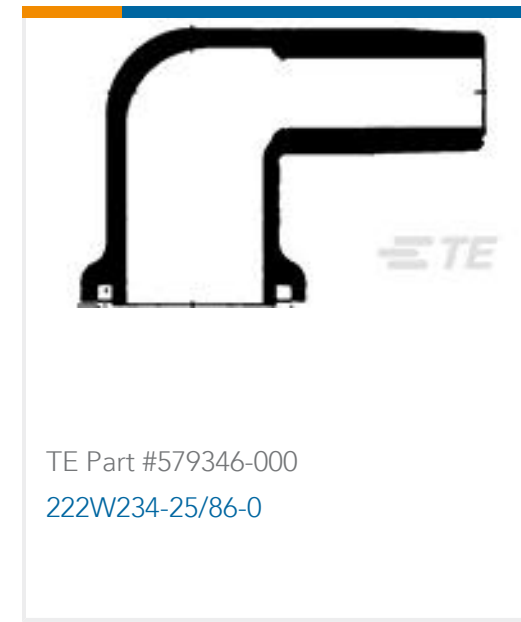
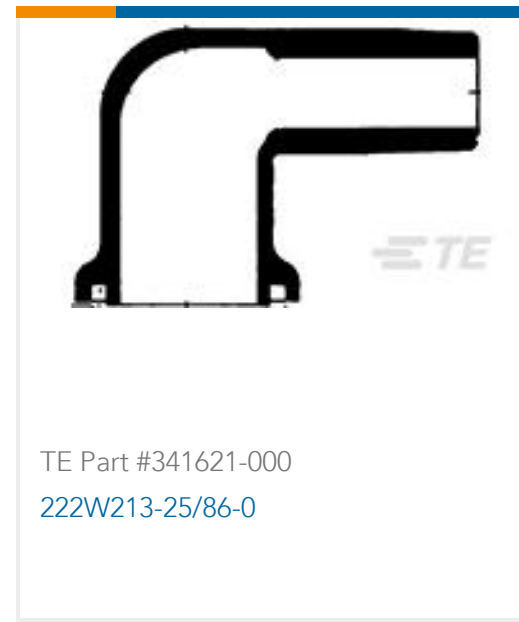
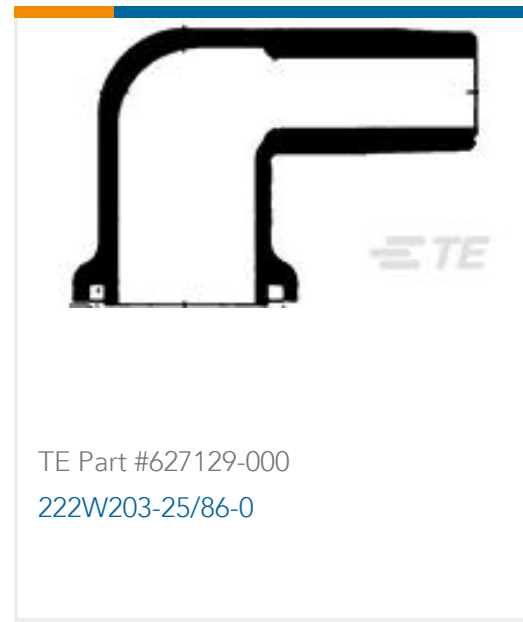
This information is provided based on reasonable inquiry of our suppliers and represents our current actual knowledge based on the information they provided. This information is subject to change. The part numbers that TE has identified as EU RoHS compliant have a maximum concentration of 0.1% by weight in homogenous materials for lead, hexavalent chromium, mercury, PBB, PBDE, DBP, BBP, DEHP, DIBP, and 0.01% for cadmium, or qualify for an exemption to these limits as defined in the Annexes of Directive 2011/65/EU (RoHS2). Finished electrical and electronic equipment products will be CE marked as required by Directive 2011/65/EU. Components may not be CE marked. Additionally, the part numbers that TE has identified as EU ELV compliant have a maximum concentration of 0.1% by weight in homogenous materials for lead, hexavalent chromium, and mercury, and 0.01% for cadmium, or qualify for an exemption to these limits as defined in the Annexes of Directive 2000/53/EC (ELV). Regarding the REACH Regulation, the information TE provides on SVHC in articles for this part number is based on the latest European Chemicals Agency (ECHA) 'Guidance on requirements for substances in articles' posted at this URL: <https://echa.europa.eu/guidance-documents/guidance-on-reach>

**Compatible Parts**



TE Part # CJ2087-000  
HL2010E-KIT-120V

**Customers Also Bought**



## Documents

### Product Drawings

[222W223-25/86-0](#)

English

### Datasheets & Catalog Pages

[1654025\\_Sec4\\_-25](#)

English

### Raychem Molded Parts Visual Guide

English

### Product Environmental Compliance

[Safety Datasheet](#)

[Safety Datasheet](#)

German

[Safety Datasheet](#)

German

[Safety Datasheet](#)

English



[Safety Datasheet](#)

English

[Safety Datasheet](#)

English

[Safety Datasheet](#)

[Safety Datasheet](#)

[Safety Datasheet](#)

French

[Safety Datasheet](#)

French

[Safety Datasheet](#)

[Safety Datasheet](#)

[Safety Datasheet](#)

[Safety Datasheet](#)

[Safety Datasheet](#)

[Safety Datasheet](#)

[Safety Datasheet](#)

# Mouser Electronics

Authorized Distributor

Click to View Pricing, Inventory, Delivery & Lifecycle Information:

[TE Connectivity:](#)

[222W223-25/86-0](#)