

SPECIFICATION CONTROL DRAWING		FDR25	
TITLE	WIRE, RADIATION-CROSSLINKED, POLYESTER BLEND-INSULATED, 600 VOLT	Date	1-13-12
		Revision	D
This specification sheet forms a part of the latest issue of Raychem Specification WCD 3304.			

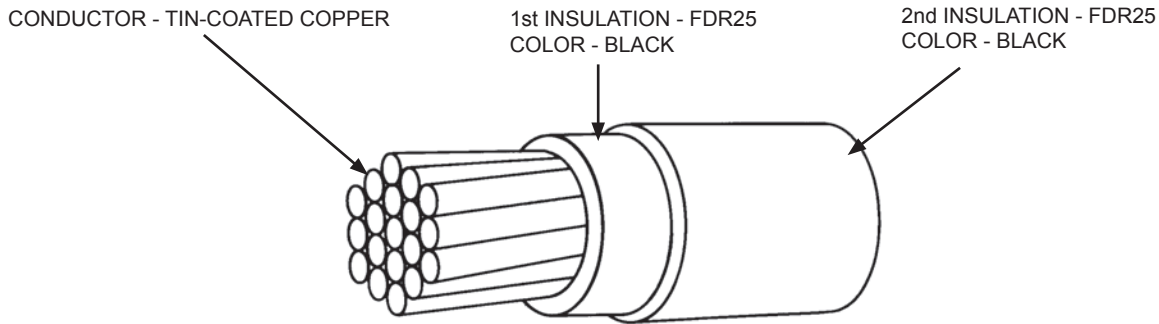


TABLE I. CONSTRUCTION DETAILS							
PART NUMBER 1/	WIRE SIZE (AWG)	CONDUCTOR STRANDING (number x AWG)	DIAMETER OF STRANDED CONDUCTOR (in.)		FINISHED WIRE		
			MINIMUM	MAXIMUM	MAXIMUM RESISTANCE AT 20°C (ohms/1000 ft.)	DIAMETER (in.)	NOMINAL WEIGHT (lbs/1000 ft.)
FDR25-0-*	0	1045 x 30	.405	.418	.116	.560 ± .017	394.

WIRE RATINGS AND ADDITIONAL REQUIREMENTS

TEMPERATURE RATING: 125°C

Maximum continuous conductor temperature

VOLTAGE RATING: 600 volts (rms) at sea level

CONCENTRICITY: 70% (minimum)

INSULATION ELONGATION AND TENSILE STRENGTH:

Each Layer

Elongation, 300% (minimum)

Tensile Strength, 2000 lbf/in² (minimum)


INSULATION (JACKET) FLAWS: Spark Test, 3.0 kV (rms)

INSULATION THICKNESS: Inner layer .0345 (nominal), outer layer .0400 (nominal)

PART NUMBER:

The "*" in the part number above shall be replaced by a color code designator.

1/ Example: AWG 0, black: FDR25-0-0

Users should evaluate the suitability of this product for their application. Specifications are subject to change without notice. Tyco Electronics Corporation also reserves the right to make changes in materials or processing, which do not affect compliance with any specification, without notification to Buyer.		
1/ COLORS AND COLOR CODE DESIGNATORS SHALL BE IN ACCORDANCE WITH MIL-STD-681. OTHER CODES AND SUFFIXES MAY BE ADDED TO THE PART NUMBER. AS NECESSARY, TO CAPTURE ANY ADDITIONAL REQUIREMENTS IMPOSED BY THE PURCHASE ORDER.		
Page 1 of 1	Raychem, TE Connectivity, TE connectivity (logo) and TE (logo) are trademarks.	
	DIMENSIONS ARE IN INCHES, AND UNLESS OTHERWISE DESIGNATED ARE NOMINAL.	
	THIS SPECIFICATION SHEET TAKES PRECEDENCE OVER DOCUMENTS REFERENCED HEREIN. REFERENCED DOCUMENTS SHALL BE OF THE ISSUE IN EFFECT ON DATE OF INVITATION FOR BID.	
		Raychem Wire & Cable 501 Oakside Avenue Redwood City, CA 94063-3800 Phone: 1-800-227-8816 Fax: 1-650-361-6297

Mouser Electronics

Authorized Distributor

Click to View Pricing, Inventory, Delivery & Lifecycle Information:

[TE Connectivity:](#)

[FDR25-0](#)