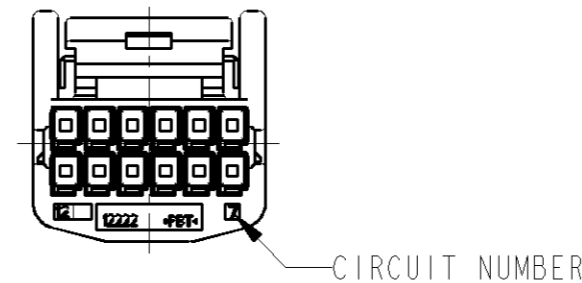
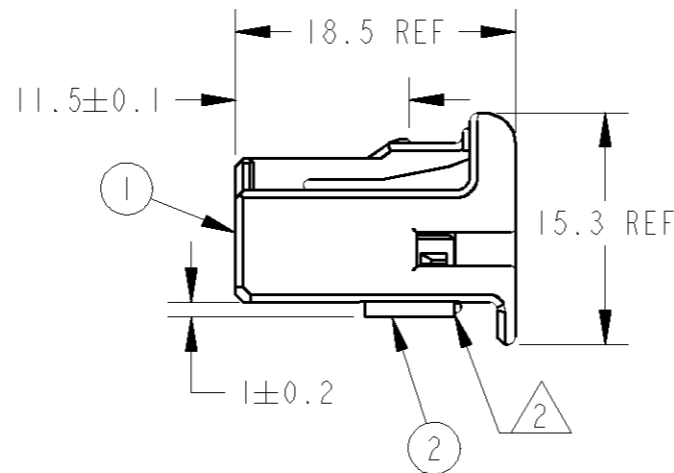
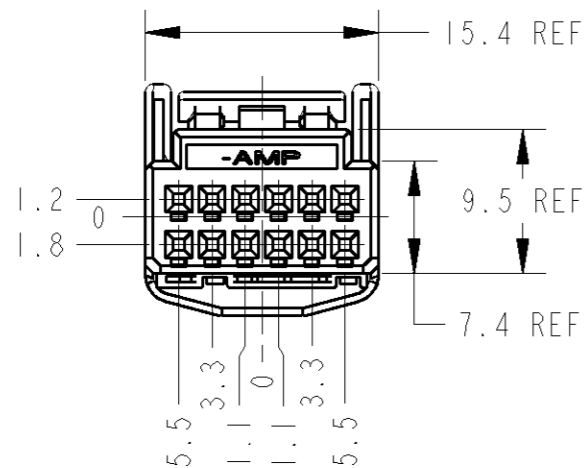
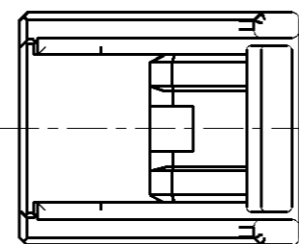


THIS DRAWING IS UNPUBLISHED. RELEASED FOR PUBLICATION
 © COPYRIGHT - ALL RIGHTS RESERVED.

LOC	DIST	REVISIONS					
		P	LTR	DESCRIPTION	DATE	DWN	APVD
J		P		REVISED PER ECO-11-005140	09APR2011	RK	HMR
		PI		REVISED PER ECR-12-019260	12NOV2012	TS	KB



- RETAINER SHOULD BE SET TO THE PRE- ASSEMBLY POSITION WITHIN THE PLUG HOUSING WHEN SHIPPED TO THE CUSTOMER
- THE RETENTION LATCH OF THE RETAINER MUST BE OUT SIDE OF PLUG HOUSING WHEN PRE-ASSEMBLY
- RETAINER RETENTION FORCE FROM HOUSING : 30N MIN
- INSTRUCTION SHEET NO : 411-5928
- PART NUMBER OF CAP HOUSING TO BE MATED : SEE TABLE-1
- APPLIED TERMINAL : SEE TABLE-2

- プラグハウジングにリテーナーを仮止して出荷する
- 仮止時リテーナー突起がハウジングの外側に出ていること
- リテーナーの仮止保持力は 30N 以上
- 取扱い説明書 NO : 411-5928
- 嵌合相手型番は TABLE-1 参照
- 適用端子は TABLE-2 参照

TABLE-1


POS 極数	CAP ASSEMBLY PART NO キャップ 型番
12	1318772

TABLE-2

TERMINAL NO 端子型番		APPLICABLE WIRE RANGE (FEMALE) 適用電線
SIGNAL 025	TIN 1123343-1	AVSS/CAVUS 0.3~0.5mm ² CAVS 0.22~0.5mm ² AVSSH-f 0.3~0.5mm ²

PLASTIC BAG ビニール袋	INNER 内装	PACKING STYLE 梱包形態		
PAPER BOX タンボール箱	OUTER 外装			
1	1318776-1	12P RETAINER	NATURAL	2
1	1376674-1	12P PLUG HOUSING SHORT BODY	BLACK	1
1376675-1	PART NO.	NAME	FINISH/COLOR	NO.

THIS DRAWING IS A CONTROLLED DOCUMENT.

DWN Y. KAWAHARA 23JAN01	 TE Connectivity 025 SERIES CONNECTOR 12 POS PLUG HOUSING ASSY SHORT BODY				
CHK N. SAI 23JAN01					
APVD N. SAI 23JAN01					
PRODUCT SPEC 製品規格 108-5668					
APPLICATION SPEC 取付適用規格 114-5250	NAME 名称				
MATERIAL 材料 PBT	FINISH 仕上 SEE TABLE	SIZE 寸法 A3	CAGE CODE 00779	DRAWING NO 番号 C=1376675	RESTRICTED TO -
WEIGHT 1.8 g	CUSTOMER DRAWING	SCALE 尺度 2:1	SHEET 1	OF 1	REV PI

Mouser Electronics

Authorized Distributor

Click to View Pricing, Inventory, Delivery & Lifecycle Information:

[TE Connectivity:](#)

[1376675-1](#)