

## Anti-Vandal Switch Hardware

### Compatible Series

- **Standard AV**
  - AV16
  - AV19
  - AV22
  - AV25
- **Piezo**
  - AVP16
  - AVP19
  - AVP22
- **Capacitive**
  - AVC16
  - AVC19
  - AVC22
- **High Current**
  - AVH19
  - AVH22
  - AVH25

### O-Ring & HEX Nut



TE Connectivity's ALCOSWITCH Anti-Vandal switch series is designed for security and reliability in a variety of panel mount industrial, medical, and building applications. The large pushbutton and available LED indicators illuminate the switch and allow for an easy user interface. The Anti-Vandal series is available in panel sizes of 16, 19, 22 and 25 mm, and with various pushbutton symbols including Spot, Ring, and Power Logo. Switches are sealed to IP67 and available in single and double pole configurations.

TE's Vandal Resistant switches are dimensionally identical with other popular brands, making them extremely suitable for use in existing designs. The Anti-Vandal product group is available in a Standard, Piezo, Capacitive, and 26A High Current options.

## Hardware

### O-RING

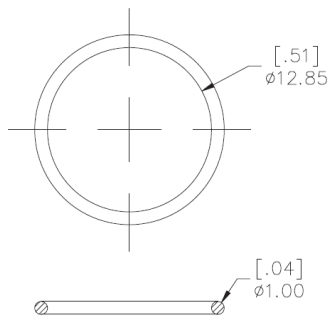


### Specifications:

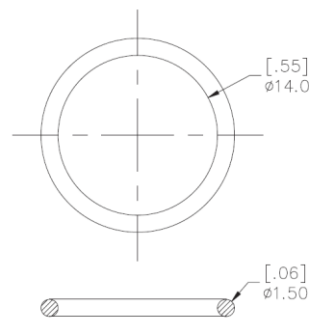
<b>MATERIAL</b>	Silicone
<b>SIZES</b>	16mm 19mm 22mm 25mm

### Dimensions:

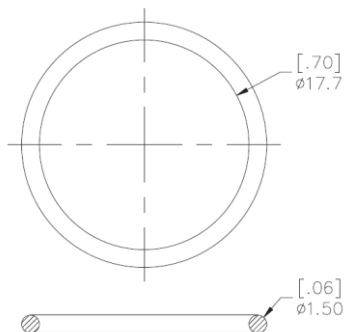
**O-RING Hardware for 16mm AV Switch**  
TE Part Number: 2369024-1



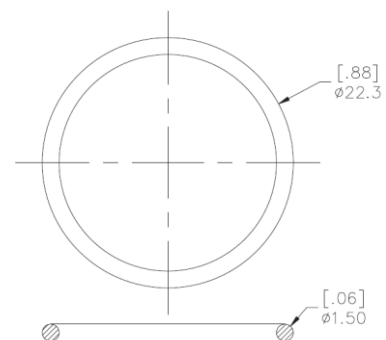
**O-RING Hardware for 19mm AV Switch**  
TE Part Number: 2369024-2



**O-RING Hardware for 22mm AV Switch**  
TE Part Number: 2369024-3



**O-RING Hardware for 25mm AV Switch**  
TE Part Number: 2369024-4



## Hardware

### HEX NUT



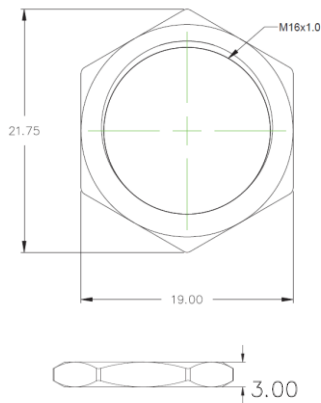
### Specifications:

<b>MATERIAL</b>	Brass (Nickel Plated)
<b>SIZES</b>	16mm 19mm 22mm 25mm

### Dimensions:

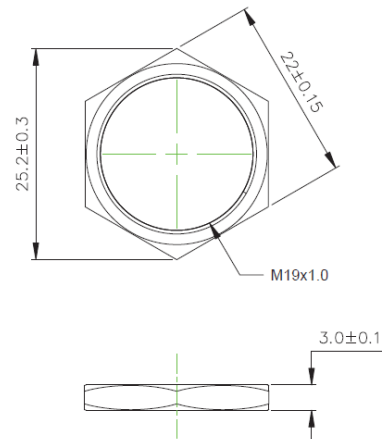
#### HEX NUT for 16mm AV Switch

TE Part Number: 2368790-1



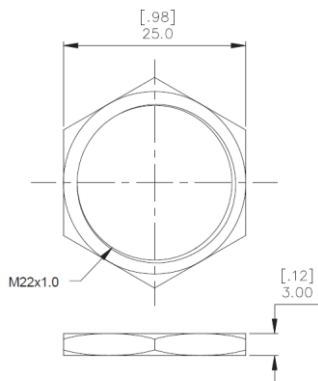
#### HEX NUT for 19mm AV Switch

TE Part Number: 2368790-2



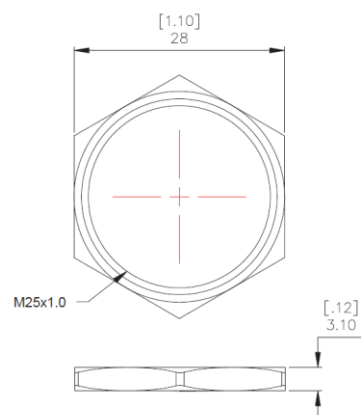
#### HEX NUT for 22mm AV Switch

TE Part Number: 2368790-3



#### HEX NUT for 25mm AV Switch

TE Part Number: 2368790-4





## HOW TO ORDER

Category	SIZE	TE PART NUMBER	PART DESCRIPTION
HEX NUT HARDWARE	16mm	2368790-1	Nut, Hex, 16mm Anti-Vandal
	19mm	2368790-2	Nut, Hex 19mm, Anti-Vandal
	22mm	2368790-3	Nut, Hex, 22mm Anti-Vandal
	25mm	2368790-4	Nut, Hex, 25mm Anti-Vandal
O-RING HARDWARE	16mm	2369024-1	O-Ring, 16mm Anti-Vandal
	19mm	2369024-2	O-Ring, 19mm Anti-Vandal
	22mm	2369024-3	O-Ring, 22mm Anti-Vandal
	25mm	2369024-4	O-Ring, 25mm Anti-Vandal

# Mouser Electronics

Authorized Distributor

Click to View Pricing, Inventory, Delivery & Lifecycle Information:

[TE Connectivity:](#)

[2368790-4](#) [2369024-1](#) [2368790-1](#) [2369024-2](#) [2369024-3](#) [2368790-2](#) [2368790-3](#) [2369024-4](#)