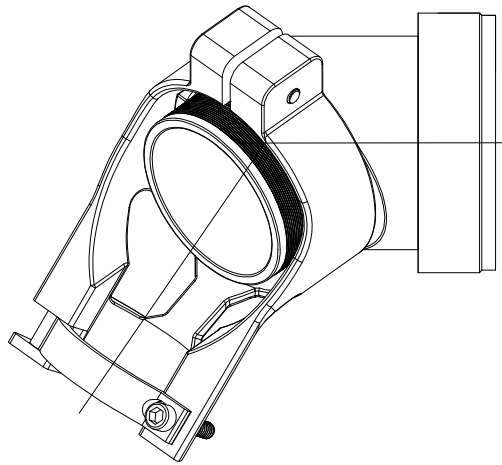


REVISIONS				
P	LTR	DESCRIPTION	DATE	APVD
	C	REVISED PER ECO-19-018565	09DEC2019	JM AS



SPIN-LOCK ADAPTER,SADDLE CLAMP

NOTES:


1. THIS PRODUCT IS DESIGNED TO TERMINATE A BRAIDED CABLE SHIELD TO A CONNECTOR AND PROVIDE STRAIN RELIEF.
2. SEE DRAWING "TR" FOR DETAIL ON TINEL-LOCK RING. RINGS ARE DESIGNED TO BE HEATED ELECTRICALLY. ALL RINGS ARE MARKED WITH THERMOCHROMIC PAINT WHICH CHANGES COLOR WHEN INSTALLATION TEMPERATURE IS REACHED.
3. ADAPTER TO BE PERMANENTLY MARKED WITH CODE IDENT. NO. AND PART NO. LESS RING DESIGNATOR (E.G.: 06090-XXXXXXX-XXXXX).
4. ADAPTER MATES TO MIL-C-81703, SERIES III, MS3424, MS3446, MS3464, MS3467, MS3468, CLASS E AND L.
5. ADAPTER MATES TO MIL-C-5015G, MS3400 SERIES, CLASS D, E, K, L, U & W; MS3400 MS3401, MS3404, MS3406, MS3450, MS3451, MS3454, MS3456, MS3470, MS3471, MS3472, MS3474, MS3475, MS3476. MIL-C-83723, SERIES II, CLASS A & L. MIL-C-83723, /14, /36, /37, /38, /39, /40, /41, /42, /43, /48, /49, /65, /66, /67, /68, /69, /70, /71, /72, /73, /74, /75, /76, /77, /78, /82, /83, /84, /85, /86, /87, /91, /92, /95, /97, /98.(MS3155 CONTROLLED INTERFACE).
6. INSTALLATION PROCEDURE MIP-103.
7. PERFORMANCE SPECIFICATION MPS-103.
8. FOR ADDITIONAL ORDERING INFORMATION SEE CH00-0250-019.

RELEASED FOR PUBLICATION

ALL RIGHTS RESERVED.

TE Connectivity Ltd.

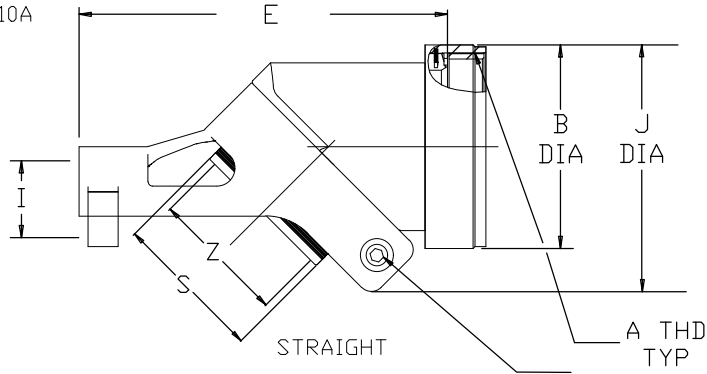
THIS DRAWING IS UNPUBLISHED.

DIMENSIONS: mm	DWN C.C.THOMAS	18JUN2019	MATERIAL -	FINISH -
	CHK O.CANO	6-18-19	 TE Connectivity	
TOLERANCES UNLESS OTHERWISE SPECIFIED:	APVD O.CANO	6-18-19		
	0 PLC ± -	PRODUCT SPEC	SIZE A4	
1 PLC ± -	APPLICATION SPEC	CAGE CODE 06090		DRAWING NO C-SLC54
2 PLC ± -	WEIGHT 0	RESTRICTED TO -		
3 PLC ± -		SCALE NTS		SHEET 1 OF 3
4 PLC ± -		CUSTOMER DRAWING		REV C
ANGLES ± -				

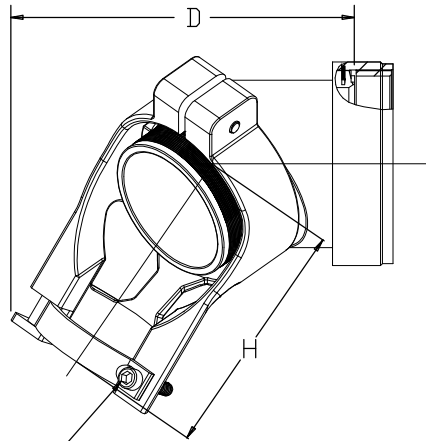
REVISIONS

P	LTR	DESCRIPTION	DATE	DWN	APVD
-	-	SEE SHEET 1	-	-	-

e.g SLC 54AB - 1610A

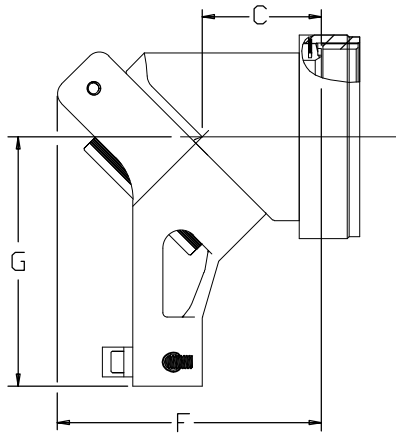


SCREW
4-40 UNC



CLAMP SCREW
SEE TABLE ON SHEET 3
FOR DETAILS

AT 45 DEGREE



AT 90 DEGREE

RELEASED FOR PUBLICATION

ALL RIGHTS RESERVED.

THIS DRAWING IS UNPUBLISHED.

© COPYRIGHT - TE Connectivity Ltd.

DIMENSIONS: mm TOLERANCES UNLESS OTHERWISE SPECIFIED: 0 PLC ± - 1 PLC ± - 2 PLC ± - 3 PLC ± - 4 PLC ± - ANGLES ± -	DWN C.C.THOMAS 18JUN2019	MATERIAL -	FINISH -	
	CHK O.CANO 6-18-19	TE Connectivity		
APVD O.CANO 6-18-19	NAME SPIN LOCK ADAPTER CODE 54			
PRODUCT SPEC -	SIZE A4	CAGE CODE 06090	DRAWING NO C-SLC54	RESTRICTED TO -
APPLICATION SPEC -	WEIGHT 0	CUSTOMER DRAWING		SCALE NTS
		SHEET 2 OF 3		REV C

REVISIONS					
P	LTR	DESCRIPTION	DATE	DWN	APVD
-	-	SEE SHEET 1	-	-	-

TABLE I

ORDER NO.	SHELL SIZE		AVAILABLE ENTRY SIZES		A METRIC CLASS THD 6H	B DIA MAX	C MAX DIM	D MAX DIM	E MAX DIM	F MAX DIM	CLAMP SCREW
	4	5	SMALL	LARGE							
08		8 & 8S	04	-	.500*-20 UNF	.610	.61 [15.49]	1.61 [40.89]	1.73 [43.94]	1.23 [31.24]	1-64 UNC
10		10, 10S & 10SL	04	06	.625*-24 UNEF	.728	.55 [13.97]	1.62 [41.14]	1.79 [45.46]	1.24 [31.49]	1-64 UNC
12	7	12 & 12S	06	08	.750*-20 UNEF	.856	.73 [18.54]	1.80 [45.72]	2.03 [51.46]	1.42 [36.06]	1-64 UNC
14	12	14 & 14S	08	10	.875*-20 UNEF	.964	.97 [24.63]	2.10 [53.34]	2.34 [59.43]	1.77 [44.95]	5-40 UNC
16	19	16 & 16S	10	12	1.000*-20 UNEF	1.082	1.04 [26.41]	2.20 [55.88]	2.50 [63.5]	1.92 [48.76]	5-40 UNC
18	27	18	10	14	1.062*-18 UNEF	1.161	.85 [21.59]	2.30 [58.42]	2.49 [63.24]	1.80 [45.95]	5-40 UNC
20	37	20	12	16	1.188*-18 UNEF	1.338	1.16 [29.46]	2.50 [63.5]	2.83 [71.88]	2.16 [54.86]	5-40 UNC
22		22	14	18	1.312*-18 UNEF	1.466	1.14 [28.95]	2.60 [66.04]	3.09 [78.48]	2.19 [55.62]	5-40 UNC
24		24	16	20	1.438*-18 UNEF	1.592	1.13 [28.70]	2.80 [71.12]	3.08 [78.23]	2.23 [56.64]	5-40 UNC

TABLE II

ORDER NO.	G MAX DIM	H MAX DIM	I MAX DIM	J MAX DIM
08	1.12 [28.44]	1.05 [26.67]	.34 [8.63]	0.929 [23.59]
10	1.24 [31.49]	1.10 [27.94]	.32 [8.12]	0.992 [25.19]
12	1.30 [33.02]	1.20 [30.48]	.38 [9.65]	1.108 [28.14]
14	1.37 [34.79]	1.15 [29.21]	.48 [12.19]	1.274 [32.35]
16	1.46 [37.08]	1.20 [30.48]	.56 [14.22]	1.505 [38.22]
18	1.64 [41.65]	1.15 [29.21]	.50 [12.7]	1.622 [41.19]
20	1.67 [42.41]	1.20 [30.48]	.59 [14.98]	1.671 [42.44]
22	1.95 [49.53]	1.20 [30.48]	.59 [14.98]	1.810 [45.97]
24	1.95 [49.53]	1.20 [30.48]	.64 [16.25]	1.905 [48.38]

TABLE III


MAX ENTRY SIZE TYPE I	S DIA	Z +.010 -0.020
04	.376 [9.55] .370 [9.40]	.250 [6.35]
06	.501 [12.73] .495 [12.57]	.375 [9.53]
08	.626 [15.90] .619 [15.72]	.500 [12.70]
10	.752 [19.10] .742 [18.85]	.625 [15.88]
12	.877 [22.28] .867 [22.02]	.750 [19.05]
14	1.002 [25.45] .991 [25.17]	.875 [22.23]
16	1.127 [28.63] 1.116 [28.35]	1.000 [25.40]
18	1.252 [31.80] 1.241 [31.52]	1.125 [28.58]
20	1.377 [34.98] 1.366 [34.70]	1.250 [31.75]

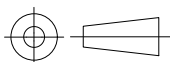
RELEASED FOR PUBLICATION

ALL RIGHTS RESERVED.

THIS DRAWING IS UNPUBLISHED.

© COPYRIGHT - TE Connectivity Ltd.

DIMENSIONS: mm	DWN	C.C.THOMAS	18JUN2019	MATERIAL	-	FINISH	-			
	CHK	O.CANO	6-18-19	 TE Connectivity						
TOLERANCES UNLESS OTHERWISE SPECIFIED:	APVD	O.CANO	6-18-19							
0 PLC ± -	PRODUCT SPEC	-	NAME					SPIN LOCK ADAPTER		
1 PLC ± -	APPLICATION SPEC	-	SIZE					CAGE CODE	DRAWING NO	RESTRICTED TO
2 PLC ± -	WEIGHT	0	A4	06090	C-SLC54	-				
3 PLC ± -	CUSTOMER DRAWING			SCALE	NTS	SHEET	3 OF 3			
4 PLC ± -						REV	C			
ANGLES ± -										



Mouser Electronics

Authorized Distributor

Click to View Pricing, Inventory, Delivery & Lifecycle Information:

[TE Connectivity:](#)

[SLC54AB-1006A](#)