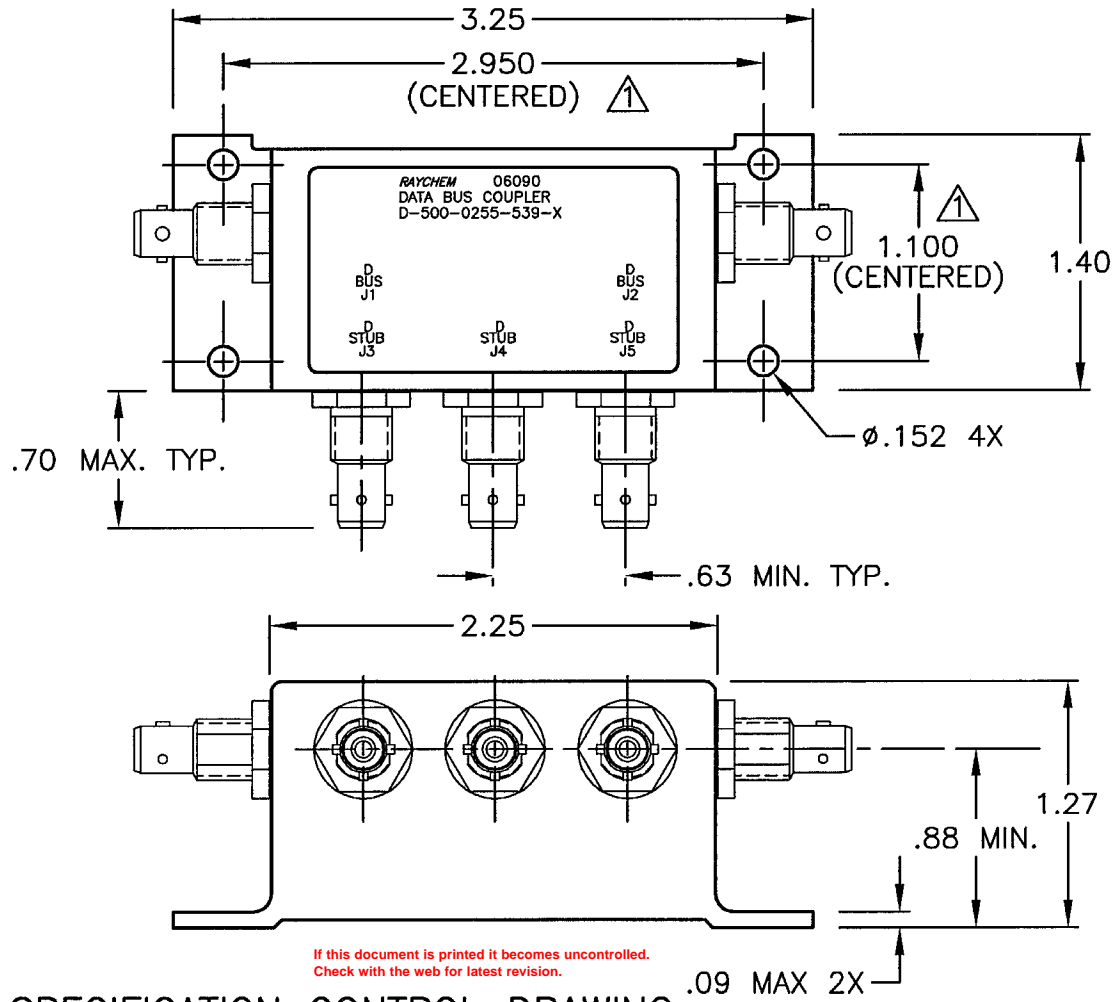


| REVISIONS | | | |
|-----------|----------------------------------|---------|----------|
| LTR | DESCRIPTION | DATE | APPROVED |
| N/C | INITIAL RELEASE PER ECN# T-19839 | 95MAR15 | Z.E.T. |
| A | REVISED PER ECN# T-20334 | 95AUG2 | 35 |

⚠ HOLE PATTERN MACHINED SYMMETRICAL TO MOUNTING FLANGE.



If this document is printed it becomes uncontrolled.
Check with the web for latest revision.

SPECIFICATION CONTROL DRAWING

UNLESS OTHERWISE SPECIFIED
DIMENSIONS ARE IN INCHES.
METRIC DIMENSIONS ARE
IN BRACKETS.

DECIMALS
.XXX ± .010 [— mm]
.XX ± .03 [— mm]

ANGLES
.X ± —

WEIGHT
115 GRAMS NOM.

| | | |
|------------------------|--------------|---------|
| DRAWN | D.C.P. | 95FEB01 |
| CHECKED | Z.E.T. | 95MAR15 |
| APPROVED | P.J.D. | 95MAR15 |
| APPROVED | | |
| CAD NAME | 001777-1.DWG | |
| THIRD ANGLE PROJECTION | | |

Raychem
RAYCHEM CORPORATION
300 CONSTITUTION DRIVE
MENLO PARK, CALIFORNIA 94025

TITLE
**3 STUB
DATA BUS COUPLER
WITH BAYONET CONNECTORS**

| | | | |
|------|-----------------|------------------|-----|
| SIZE | CODE IDENT. NO. | DWG. NO. | REV |
| A | 06090 | D-500-0255-539-X | A |

DO NOT SCALE THIS DRAWING

SHEET 1 OF 2

1.0 INTERMATEABILITY

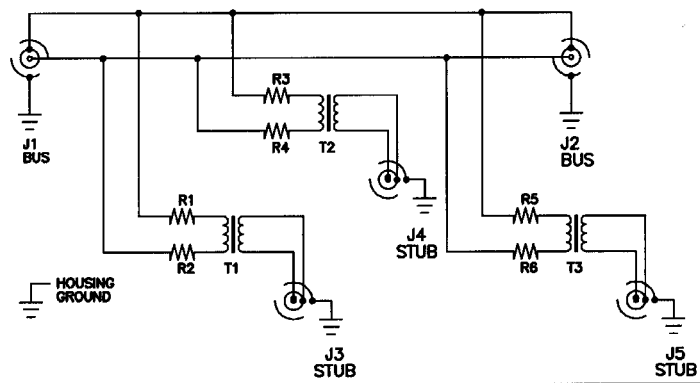
| CONNECTOR BOX JACK | MATING PLUG |
|-----------------------------------|-----------------------------------|
| DK-621-0440-4P (8912004-00-04) | DK-621-0439-4S (8912003-00-08) |
| DK-621-0440-4S (8912004-00-08) | DK-621-0439-4P (8912003-00-04) |

2.0 PERFORMANCE

- 2.1 THIS COUPLER IS DESIGNED TO MEET THE APPLICABLE FUNCTIONAL REQUIREMENT OF RAYCHEM SPECIFICATION D-6021 AND USAF 8912008.
 - 2.2 THE COUPLER SHALL OPERATE UNDER ANY OF THE ENVIRONMENTAL SERVICE CONDITIONS AS SPECIFIED IN MIL-E-5400, CLASS ∇ UPGRADED TO 125°C CONTINUOUS OPERATION.
 - 2.3 ALTITUDE: SEA LEVEL TO 75,000 FEET
- 3.0

| D-500-0255 | BUS JACKS J1 AND J2 | STUB JACKS J3 THRU J5 |
|------------|-----------------------------------|-----------------------------------|
| -539-2 | DK-621-0440-4S (8912004-00-08) | DK-621-0440-4P (8912004-00-04) |
| -539-3 | DK-621-0440-4P (8912004-00-04) | DK-621-0440-4S (8912004-00-04) |

SCHMATIC DIAGRAM



If this document is printed it becomes uncontrolled.
Check with the web for latest revision.

| | | | | | | |
|---------------------------|--------|--------|---------|------|-----------------|------------------|
| CAD NAME: 001777-2 | DRAWN | D.C.P. | 95FEB01 | SIZE | CODE IDENT. NO. | DWG. NO. |
| | ISSUED | | | A | 06090 | D-500-0255-539-X |
| DO NOT SCALE THIS DRAWING | | | | | | SHEET 2 OF 2 |

Mouser Electronics

Authorized Distributor

Click to View Pricing, Inventory, Delivery & Lifecycle Information:

[TE Connectivity:](#)

[858585-000](#)