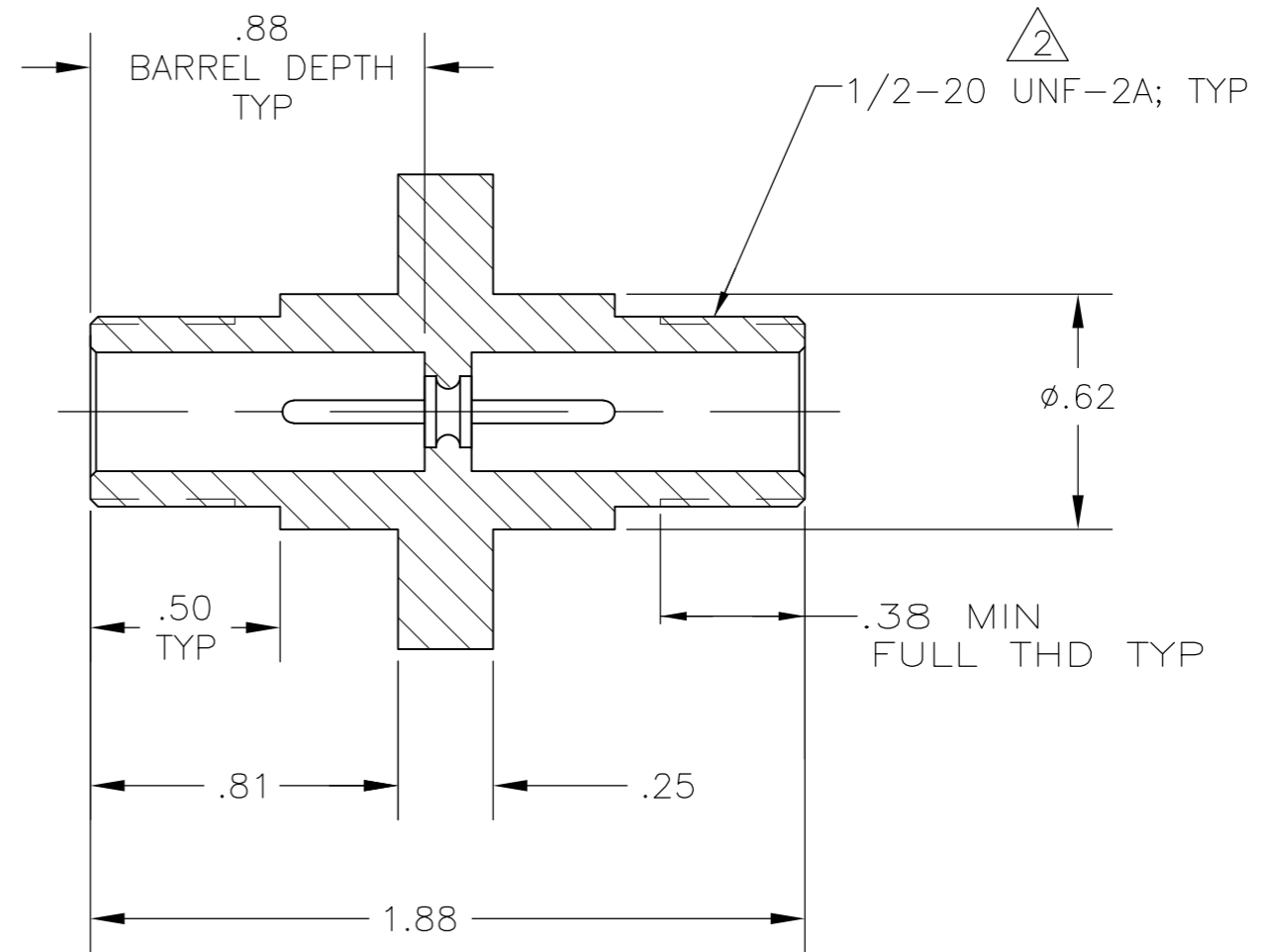
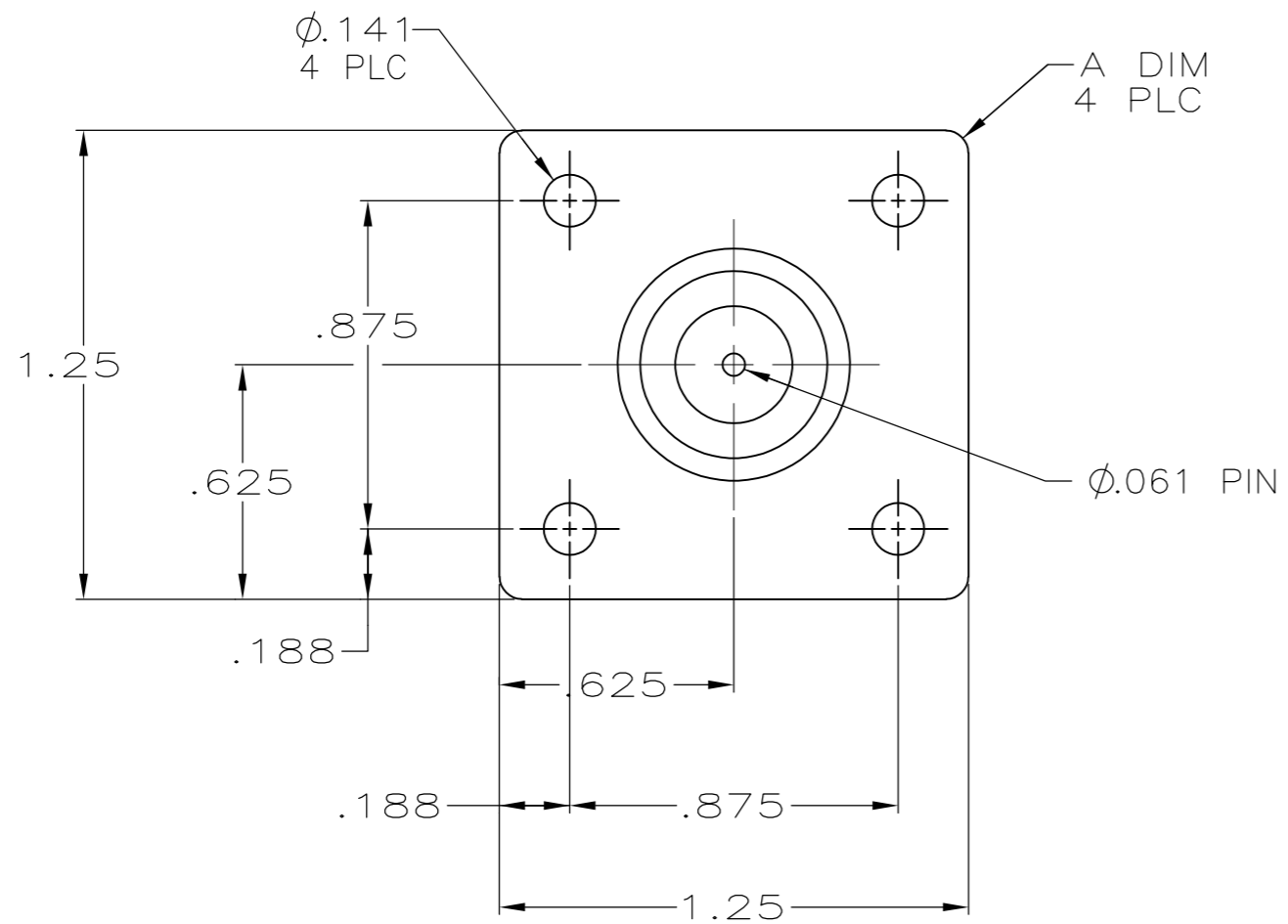


THIS DRAWING IS UNPUBLISHED. RELEASED FOR PUBLICATION
 © COPYRIGHT - By - ALL RIGHTS RESERVED.

LOC		DIST		REVISIONS			
P	LTR	DESCRIPTION		DATE	DWN	APVD	
	J	REV PER ECO-12-009413		25MAY12	PY	DE	



1. RECEPTACLE TO MATE WITH AMP LGH-1. LEAD ASSEMBLY AVAILABLE SEPARATELY

\triangle PER FEDERAL STANDARD H-28 3 WIRE METHOD. DIMENSION OVER WIRES TO BE .497-.510

AMP PART NO & CUST PART NO	TIN	.12 X 45°	846793-5
AMP PART NO	GOLD	.03 R	846793-2
AMP PART NO	TIN	.03 R	846793-1
MARKING	PIN FINISH	A	PART NO.

THIS DRAWING IS A CONTROLLED DOCUMENT.		DWN	10NOV11	TE Connectivity																			
DIMENSIONS: INCHES		CHK	10NOV11	NAME																			
TOLERANCES UNLESS OTHERWISE SPECIFIED:		APVD	10NOV11	RECEPTACLE ASSEMBLY, LGH-1, FEED-THROUGH																			
<table border="1"> <tr><td>0 PLC</td><td>±</td><td>-</td></tr> <tr><td>1 PLC</td><td>±</td><td>-</td></tr> <tr><td>2 PLC</td><td>±</td><td>.02</td></tr> <tr><td>3 PLC</td><td>±</td><td>.005</td></tr> <tr><td>4 PLC</td><td>±</td><td>-</td></tr> <tr><td>ANGLES</td><td>±</td><td>-</td></tr> </table>		0 PLC	±	-	1 PLC	±	-	2 PLC	±	.02	3 PLC	±	.005	4 PLC	±	-	ANGLES	±	-	PRODUCT SPEC		SIZE	CAGE CODE
0 PLC	±	-																					
1 PLC	±	-																					
2 PLC	±	.02																					
3 PLC	±	.005																					
4 PLC	±	-																					
ANGLES	±	-																					
MATERIAL: GLASS EPOXY (MOLDED)		FINISH: BLACK	WEIGHT: -	A2	00779																		
		CUSTOMER DRAWING		SCALE: 2:1	SHEET: 1 of 1																		
				REV: J	RESTRICTED TO: -																		

Mouser Electronics

Authorized Distributor

Click to View Pricing, Inventory, Delivery & Lifecycle Information:

[TE Connectivity:](#)

[846793-1](#)