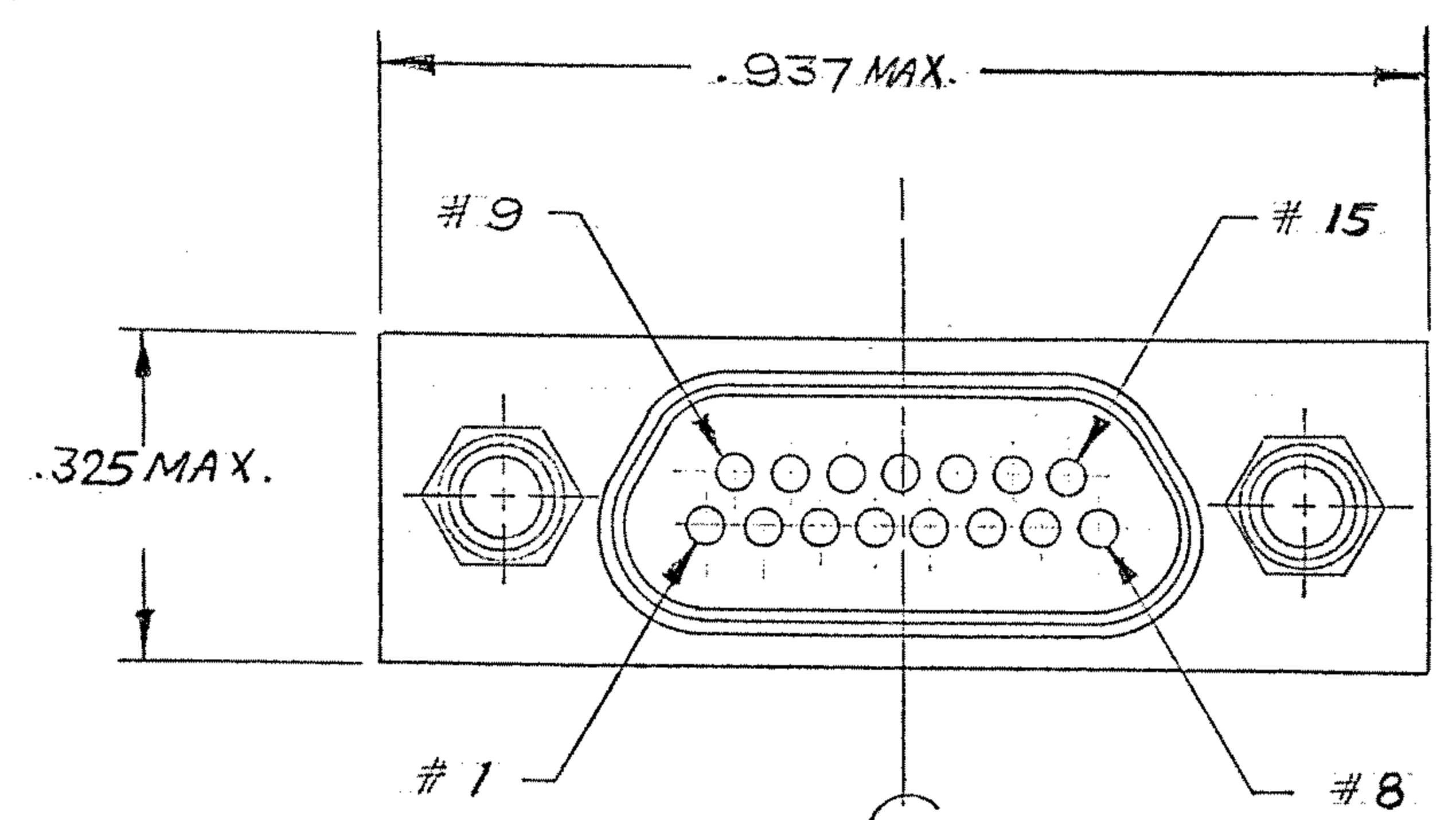


REVISIONS					
ZONE	LTR	DESCRIPTION	DATE	ENG	APPROVED
	D1	Update Per ECO-11-016360	8/10/11	PJS	CEP



BUSHING  
STAINLESS STEEL  
TYPE 303, CONDA  
ASTM A484 & A582

MARKING  
AREA  
(FAR SIDE)

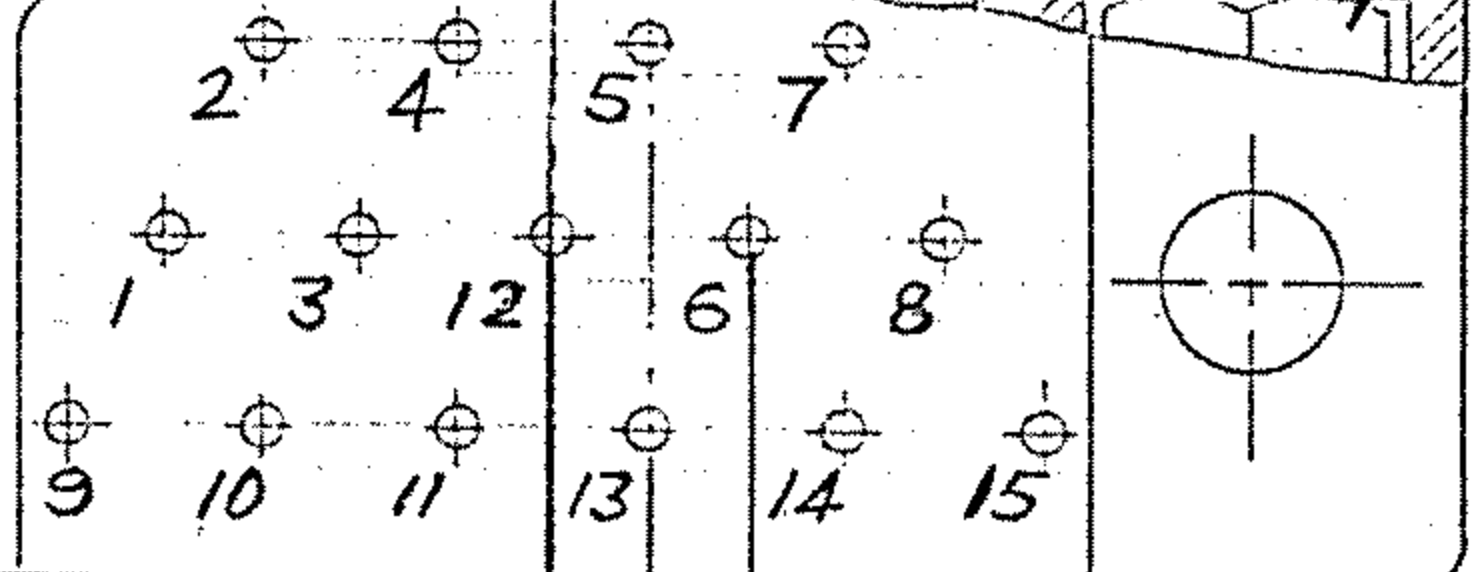
INSULATOR, POLYPHENYLENE  
SULFIDE RYTON R4-04 COLOR BRN.

CONTACT SOCKET  
COPPER ALLOY  
GOLD PLATED

HEX NUT,  
STAINLESS STEEL  
PASSIVATED

INTERFACIAL SEAL  
FLUOROSILICONE  
RUBBER, COLOR BLUE

$.250 \pm .010$



$.050$  TYP.  
 $.100$  TYP.

T.B. HOUSING  
POLYPHENYLENE SULFIDE  
RYTON R4-04 COLOR BRN.

$.100$  TYP.

LEADS  
SOLDER DIPPED

$.109 \pm .015$

SECTION A-A

QTY REQD	CODE IDENT	PART OR IDENTIFYING NO.	NOMENCLATURE OR DESCRIPTION	
PARTS LIST				
UNLESS OTHERWISE SPECIFIED DIMENSIONS ARE IN INCHES TOLERANCES ARE: FRACTIONS    DECIMALS    ANGLES ±                .XX ±                ±		CONTRACT NO.	<b>STE</b> TE Connectivity	
MATERIAL	APPROVALS	DATE	METAL SHELL 90° LO-PROFILE	PROD. CODE
	DRAWN <i>[Signature]</i>	2/27/92	MCK-**P-15SRT	845
	CHECKED		(MIL-C-83513)	CODE
	PR. ENG. <i>[Signature]</i>		094-4206-7000	CD
	APPD.		SIZE	CODE IDENT NO.
			C	98278
			DRAWING NO.	
				3-1532133-3
NEXT ASSY	USED ON	These drawings and specifications are the property of Microdot Inc. are issued in strict confidence and shall not be divulged, be reproduced or copied, or used as the basis for the manufacture or sale of any article without written permission of Microdot Inc.		
APPLICATION	DO NOT SCALE DRAWING	SCALE	SHEET 1 OF 1	

# Mouser Electronics

Authorized Distributor

Click to View Pricing, Inventory, Delivery & Lifecycle Information:

[TE Connectivity:](#)

[6-1532011-2](#)