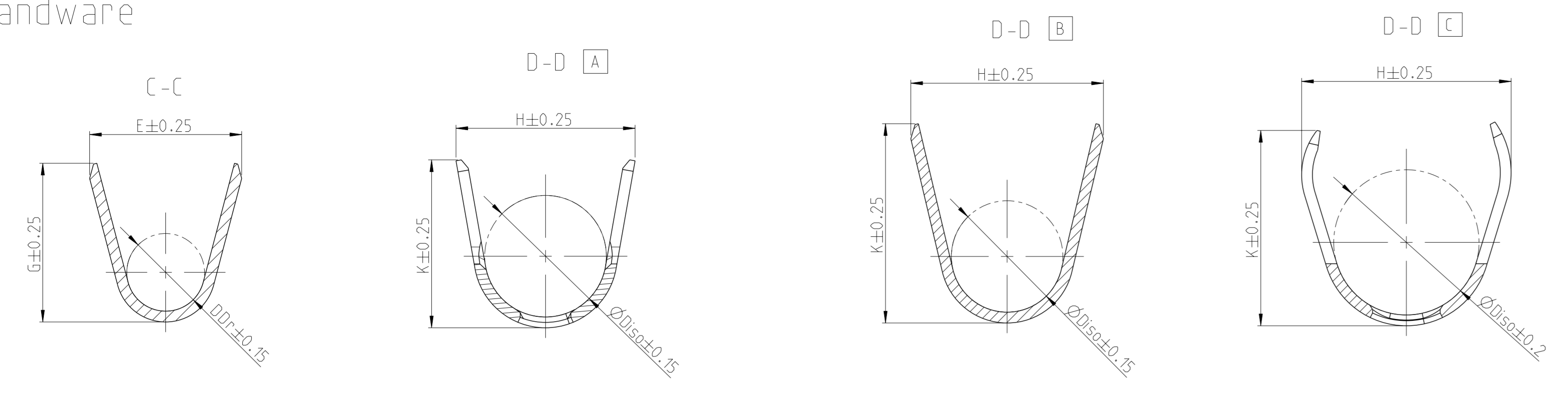


STRIP FORM Bandware

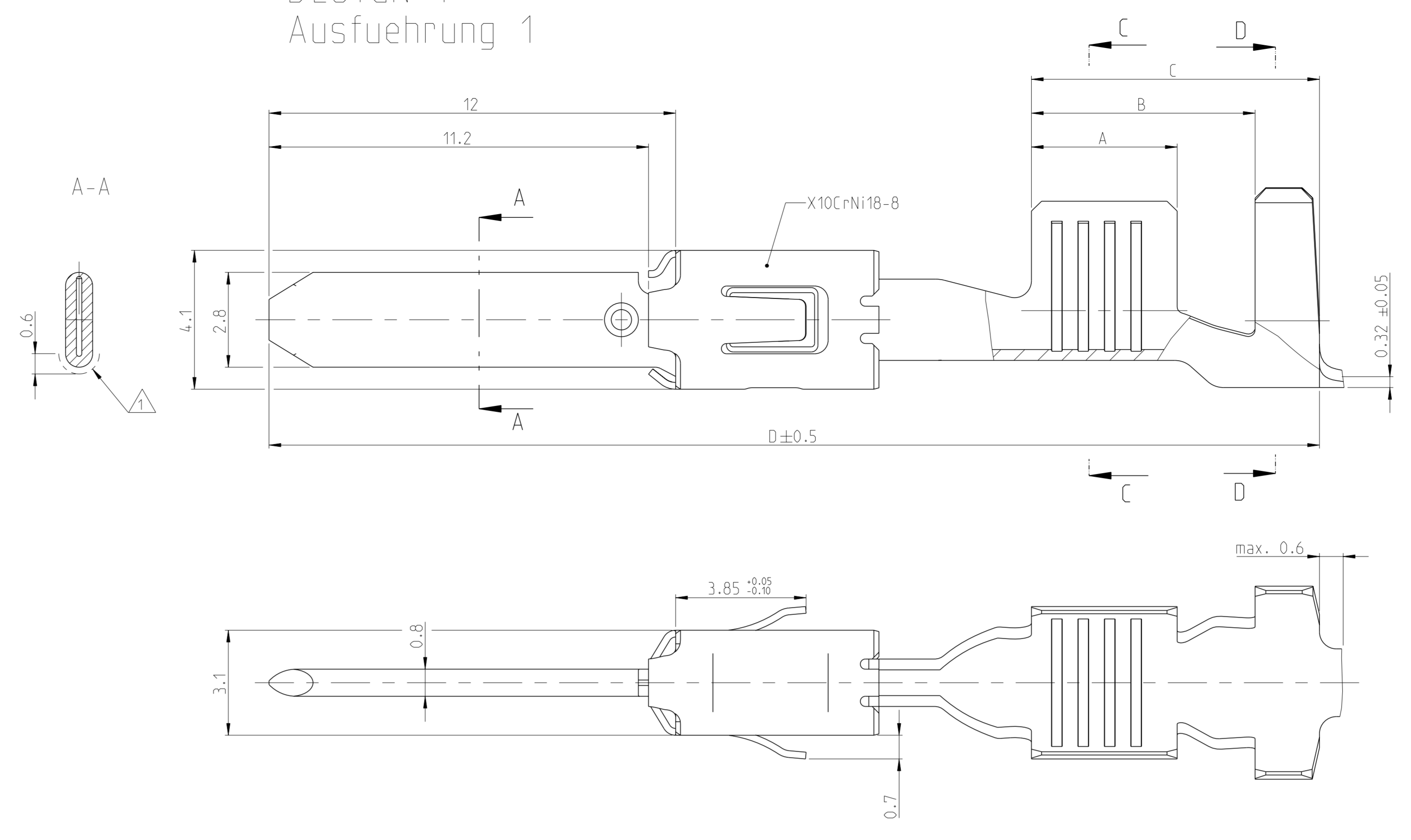


NOTES Bemerkungen

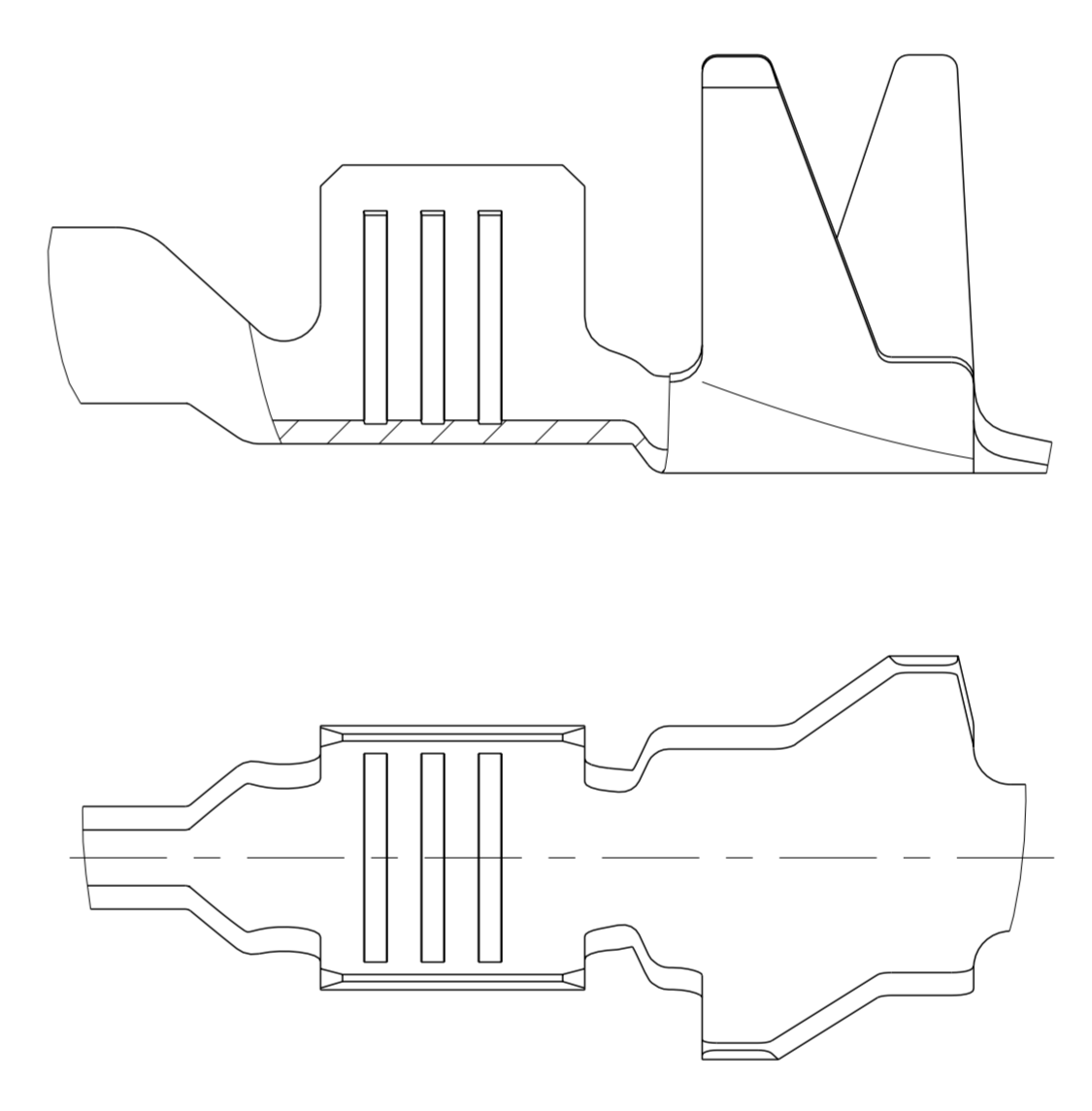
- 1 IN THIS AREA CRACK SHAPING AT THE SURFACE PERMISSIBLE
In diesem Bereich Rissbildung in der Oberflaeche zulaessig
- 2 "Ag+" MARKING ON SILVER PLATED VERSIONS FOR INCREASED LIMIT TEMPERATURE
"Ag+" Markierung auf versilberter Variante fuer erhoehrte Grenztemperatur
- 3 LENGTHENED TAB FOR APPLICATIONS WITH HVA 280 HOUSINGS
Verlaengerter Flachstecker fuer Anwendungen mit HVA 280 Gehaeusen

VERSION	ORDER-NO.	REV.	DESIGN	MATERIAL	SURFACE	INSULATION	WIRE RANGE	STRIP FORM	INSUL. CRIMP	ORDER-NO.	TE
Ausfuhrung	STRIPFORM		Ausfuhrung	Werkstoff	Oberflaeche	Isolations	Drahtbereich	WIRE CRIMP	Isolationscrimp	SINGLE WIRE SEAL	Einzelabdichtungssystem
	Bandware				im Kontaktbereich	mm	mm ²	Drabereich	Bandware	(Cavity Diameter)	(Kammerdurchmesser)
	2-2328752-4	A	4	CuFe	SILVER PLATED versilbert	max. 3.7	>2.5 - 4.0	E = 4.5 G = 4.7 D _{Dr} = 2.3	H = 6.2 K = 6.0 D _{ISO} = 4.3	828985 (Ø6,4)	
	2-2328752-2	A			SILVER PLATED versilbert						
	2-2328745-4	A	3	CuFe	SILVER PLATED versilbert	max. 3.0	>1.0 - 2.5	E = 3.6 G = 3.8 D _{Dr} = 1.7	H = 5.3 K = 5.0 D _{ISO} = 3.6	828905 (Ø5,0)	
	2-2328745-2	A			SILVER PLATED versilbert						
	2-2141600-4	A	1	CuFe	SILVER PLATED versilbert	2.7 - 3.7	>2.5 - 4.0	E = 4.5 G = 4.7 D _{Dr} = 2.3	H = 5.7 K = 5.9 D _{ISO} = 3.3		
	2-2141600-2	A			SILVER PLATED versilbert						
	2-2141598-4	A	2	CuFe	SILVER PLATED versilbert	2.4 - 3.7	>1.0 - 2.5	E = 3.6 G = 3.8 D _{Dr} = 1.7	H = 5.5 K = 5.7 D _{ISO} = 3.2		
	2-2141598-2	A			SILVER PLATED versilbert						

DESIGN 1 Ausfuhrung 1

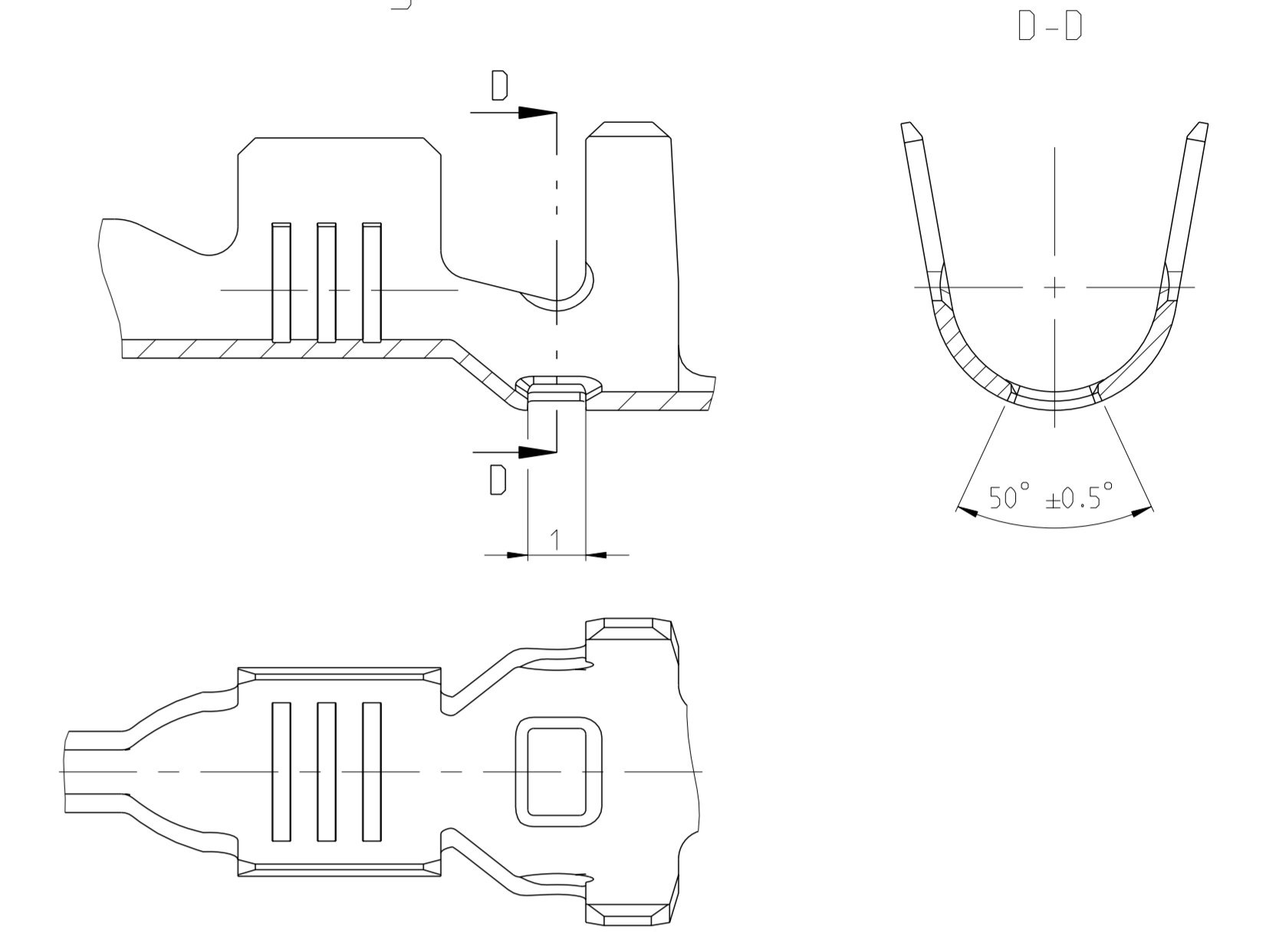


DESIGN 2 Ausfuhrung 2

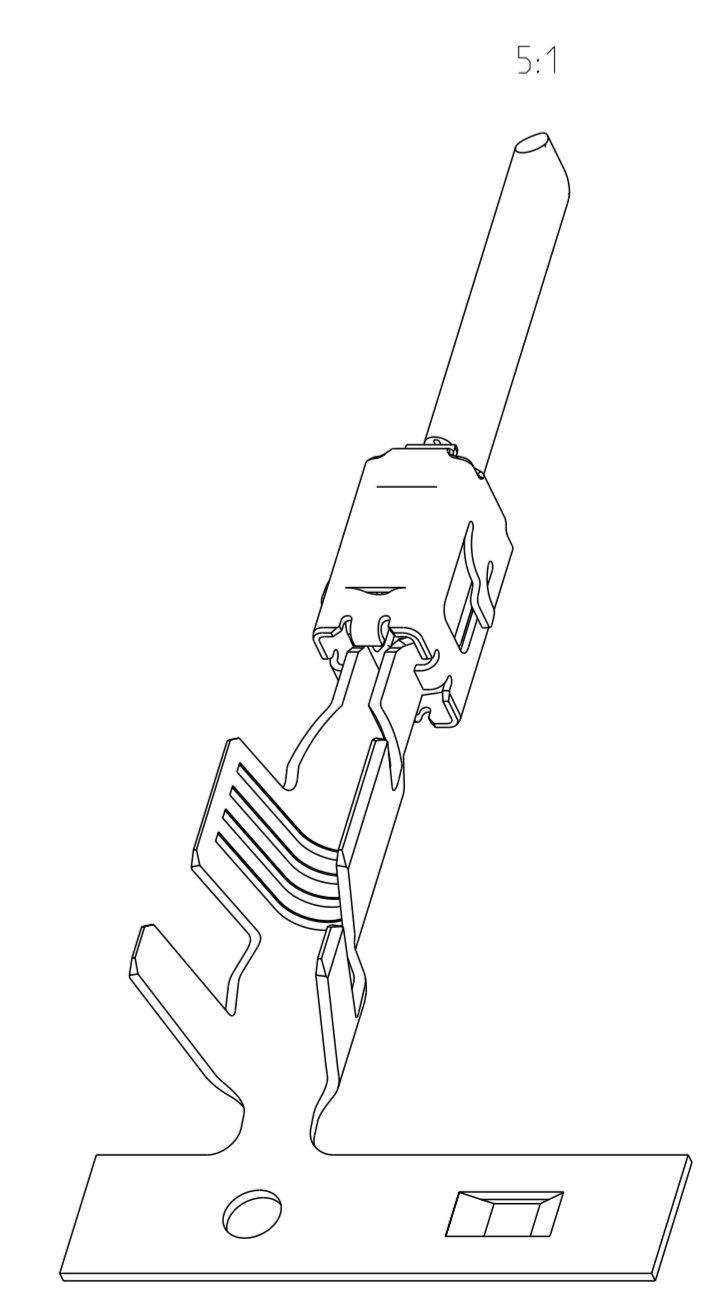
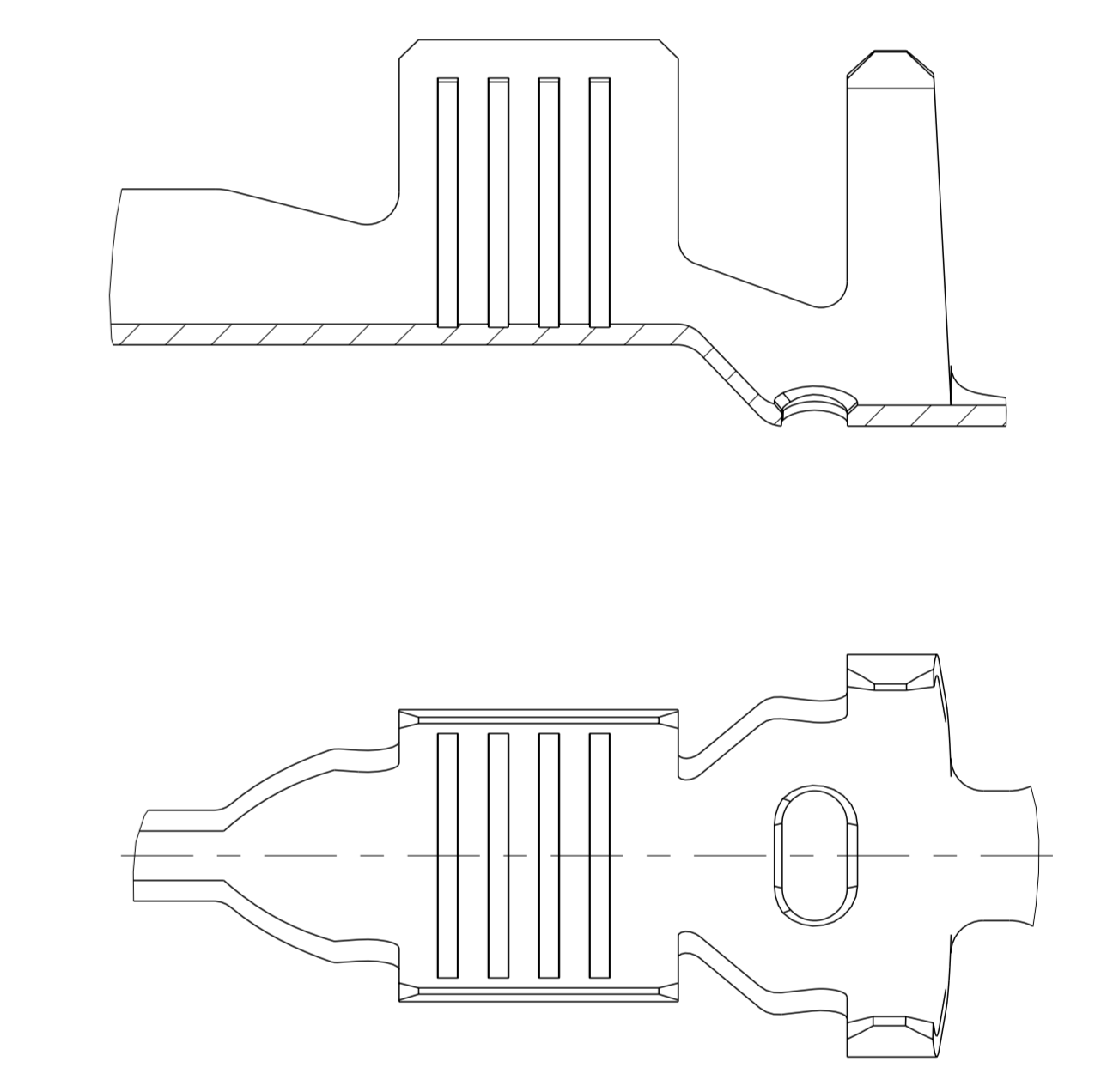


SINGLE WIRE SEAL Einzelabdichtungssystem

DESIGN 3 Ausfuhrung 3



DESIGN 4 Ausfuhrung 4



THIS DRAWING IS A CONTROLLED DOCUMENT.		REV. 01APR2019	DATE 01APR2019	BY Frank	TE Connectivity
DIMENSIONS: mm		CH. Metz	08APR2019	BY Metz	TE Connectivity
TOLERANCES UNLESS OTHERWISE SPECIFIED:		MM. Brumme	08APR2019	BY Brumme	TE Connectivity
Ø	±0.2	PRODUCT SPEC			
PLC	±0.2	108-18063			
PLC	±0.2	APPLICATION SPEC			
PLC	±0.2	114-18051			
FINISH	st	WEIGHT			
MATERIAL		CUSTOMER DRAWING		SCALE 10:1 SHEET 1 of 1 REV. A	

Mouser Electronics

Authorized Distributor

Click to View Pricing, Inventory, Delivery & Lifecycle Information:

[TE Connectivity:](#)

[2-2141600-2](#)