

THIS DRAWING IS UNPUBLISHED.

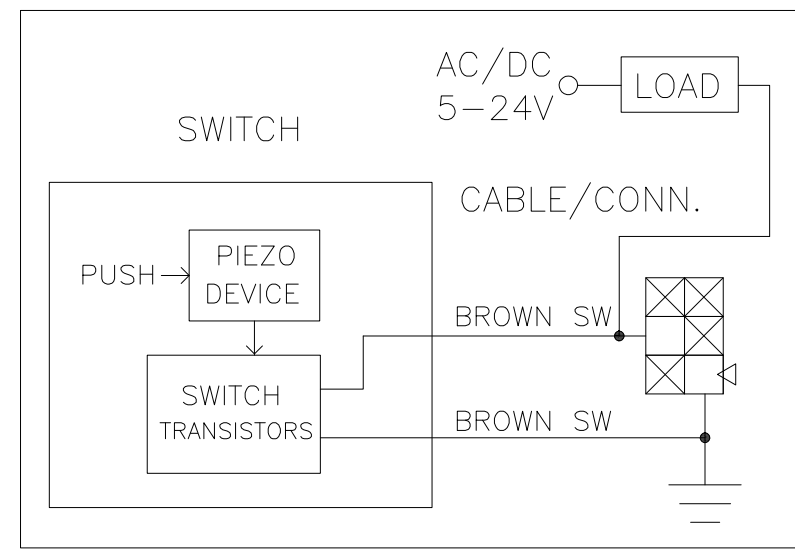
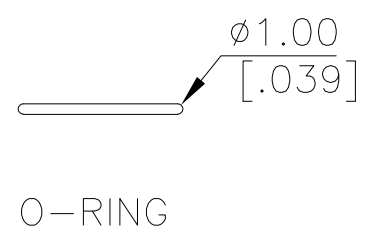
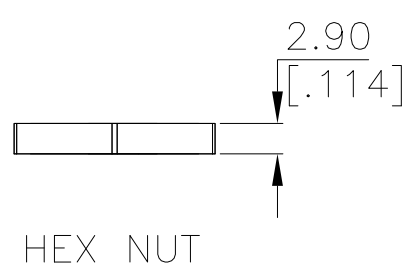
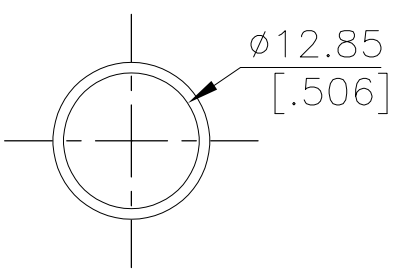
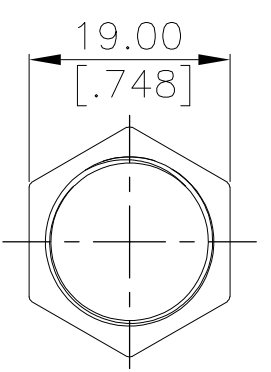
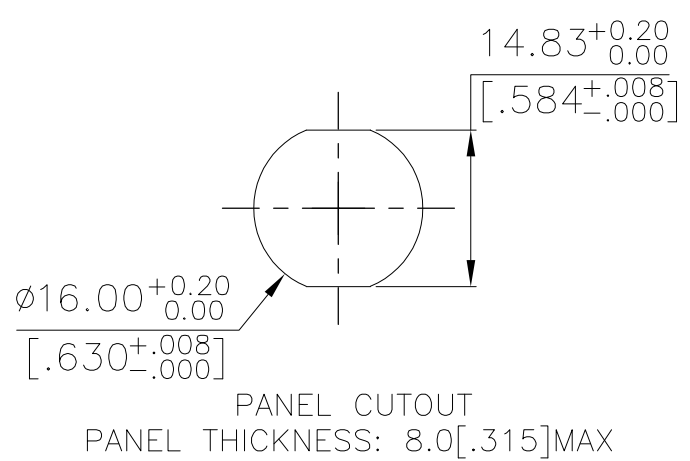
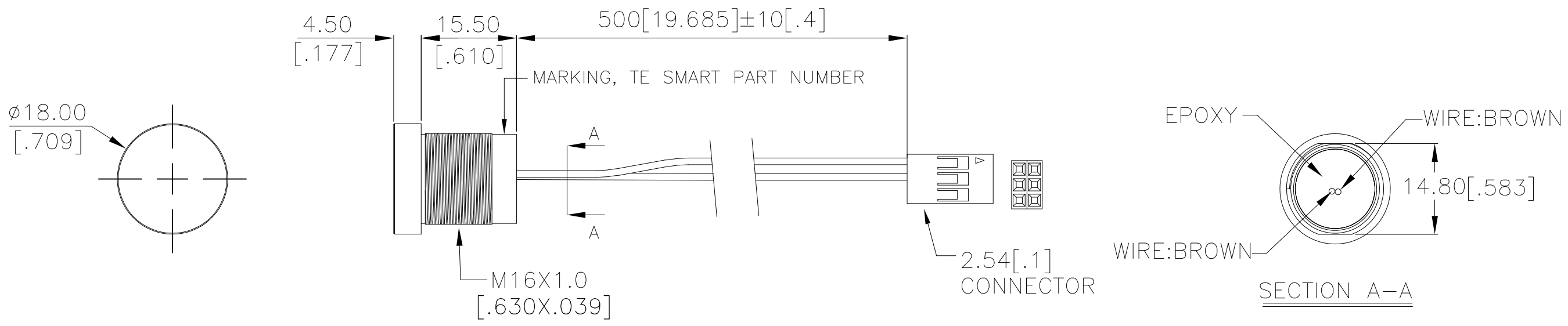
RELEASED FOR PUBLICATION

REVISIONS

© COPYRIGHT - TE Connectivity Ltd.

ALL RIGHTS RESERVED.

P	LTR	DESCRIPTION	DATE	DWN	APVD
	3	DRAWING UPDATED	20DEC2018	RSM	AS



APPLICATION DIAGRAM

**PRELIMINARY**

THIS DRAWING IS A CONTROLLED DOCUMENT.		DWN GANESH C M 29SEP2018	TE Connectivity Ltd.		
DIMENSIONS: mm [INCHES]		CHK ALEXANDER SHARPE 29SEP2018			
TOLERANCES UNLESS OTHERWISE SPECIFIED:		APVD ALEXANDER SHARPE 29SEP2018	SWITCH,AV,PIEZO,16mm,HIGH FL BTN, NO LED,LEADED W/ 2x3 REC		
0 PLC ± - 1 PLC ± 0.4[.016] 2 PLC ± 0.25[.010] 3 PLC ± - 4 PLC ± - ANGLES ± -		PRODUCT SPEC -	SIZE A3	CAGE CODE 00779	DRAWING NO C-2342838
MATERIAL -		FINISH -	RESTRICTED TO -	SCALE NTS SHEET 1 OF 2 REV 3	
CUSTOMER DRAWING					

THIS DRAWING IS UNPUBLISHED.

RELEASED FOR PUBLICATION

REVISIONS

© COPYRIGHT - TE Connectivity Ltd.

ALL RIGHTS RESERVED.

P	LTR	DESCRIPTION	DATE	DWN	APVD
	-	SEE SHEET 1	-	-	-

NOTES:

1. SPECIFICATIONS:

- 1. OPERATING LIFE: 50 MILLION CYCLES MIN.
- 2. ACTUATION FORCE: 2 N - 5 N [0.45 LBF - 1.12 LBF]
- 3. RATING: 5-24 VDC@1A MAX., 5-24 VAC@1A MAX.
- 4. CONTACT RESISTANCE: 1Ω MAX.
- 5. TYPE: MOMENTARY PULSE, 200mS MIN.
- 6. OUTPUT MODE: TRANSISTOR
- 7. OPERATING TEMPERATURE: -20° TO 65°C [-4° TO 149°F]
- 8. STORAGE TEMPERATURE: -40° TO 85°C [-40° TO 185°F]
- 9. INGRESS PROTECTION: IP68, PANEL SIDE
- 10. MOUNTING TORQUE: 2.5Nm MAXIMUM

2. MATERIAL:

- 1. SEALING: SILICONE, EPOXY
- 2. O-RING: SILICONE
- 3. HEX NUT: NICKEL PLATED BRASS
- 4. WIRE: UL3385, UL10368 OR EQUIVALENT
- 5. BUSHING: SEE TABLE

3. PACKAGING:


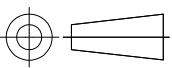
SWITCH ASSEMBLIES ARE INDIVIDUALLY BUNDLED WITH ESD PROTECTION.  
HARDWARE IS NOT ASSEMBLED TO THE SWITCH.

4. COMPLIANCE:

THE CURRENT STATEMENT OF COMPLIANCE IS AVAILABLE AT TE.COM.

5. HARDWARE IS SHIPPED UNASSEMBLED.

STAINLESS STEEL 316	NO LED	MOMENTARY	AVP16MS16H000T5B04	2342838-4
STAINLESS STEEL 304	NO LED	MOMENTARY	AVP16MS04H000T5B04	2342838-3
ALUMINUM, BLACK ANODIZED	NO LED	MOMENTARY	AVP16MAIBH000T5B04	2342838-2
ALUMINUM	NO LED	MOMENTARY	AVP16MAIOH000T5B04	2342838-1
BUSHING MATERIAL	LED COLOR	CONTACT CONFIGURATION	TE SMART PART NUMBER	PART NUMBER

THIS DRAWING IS A CONTROLLED DOCUMENT.		DWN GANESH C M 29SEP2018	 TE Connectivity Ltd.		
DIMENSIONS: mm [INCHES]		CHK ALEXANDER SHARPE 29SEP2018			
		APVD ALEXANDER SHARPE 29SEP2018	PRODUCT SPEC -		
TOLERANCES UNLESS OTHERWISE SPECIFIED:		APPLICATION SPEC -	SIZE A3	CAGE CODE 00779	DRAWING NO C-2342838
MATERIAL -		FINISH -	RESTRICTED TO -		SCALE NTS
CUSTOMER DRAWING			SHEET 2 OF 2	REV 3	

**PRELIMINARY**

# Mouser Electronics

Authorized Distributor

Click to View Pricing, Inventory, Delivery & Lifecycle Information:

[TE Connectivity:](#)

[AVP16MS16H000T5B04](#)