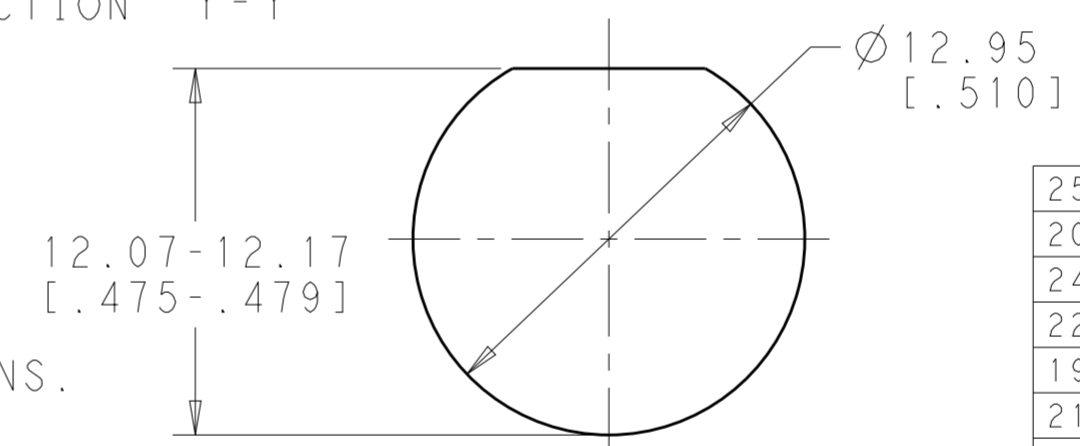
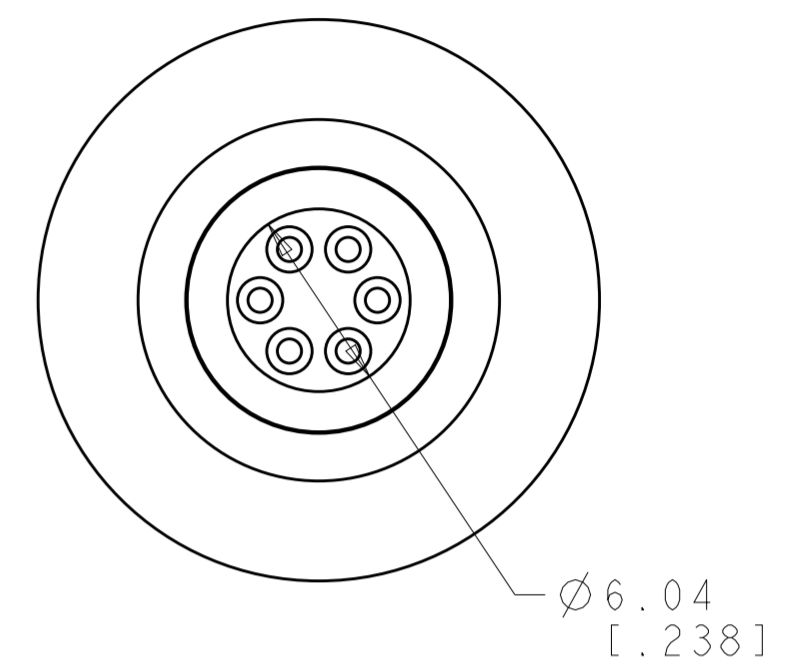
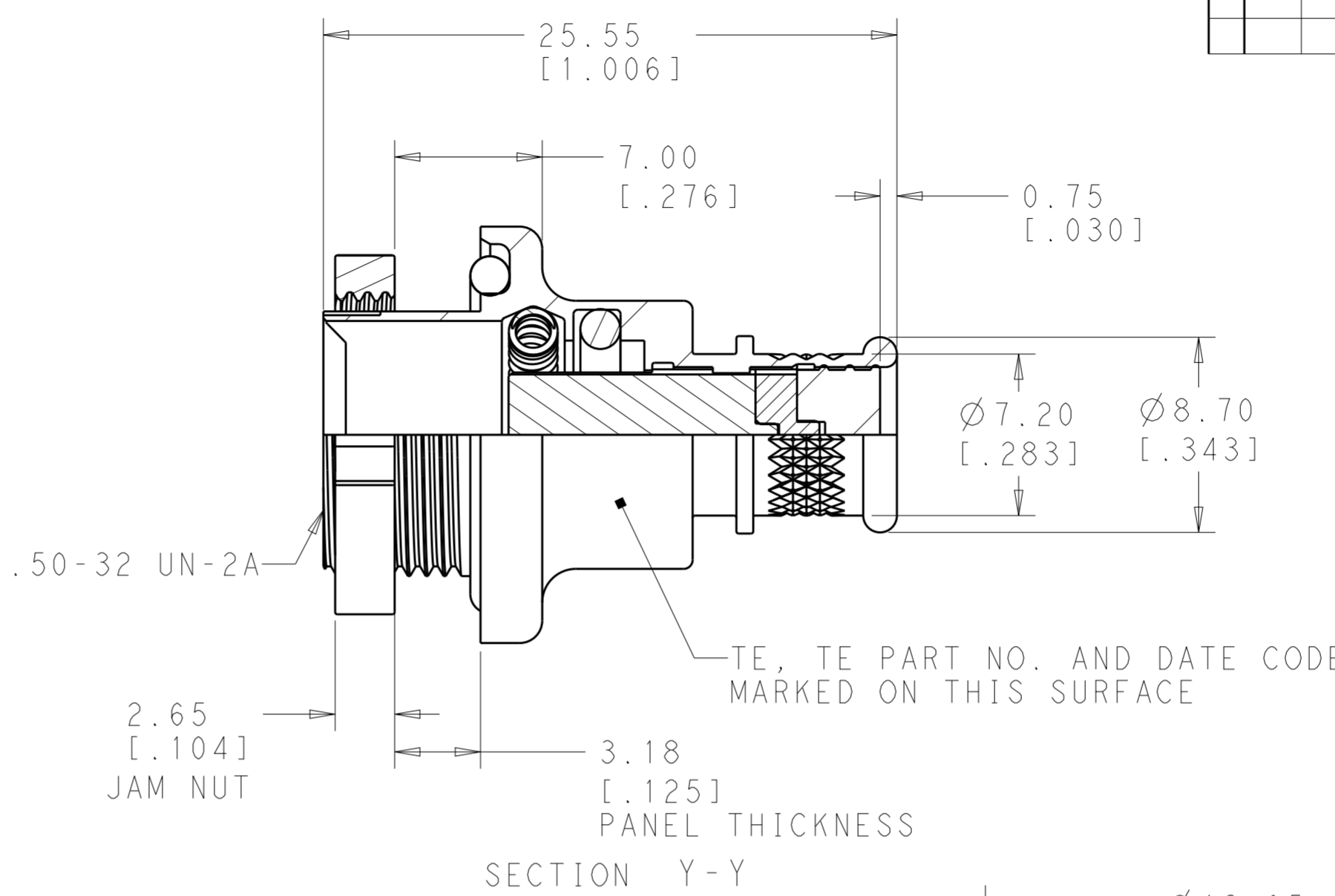
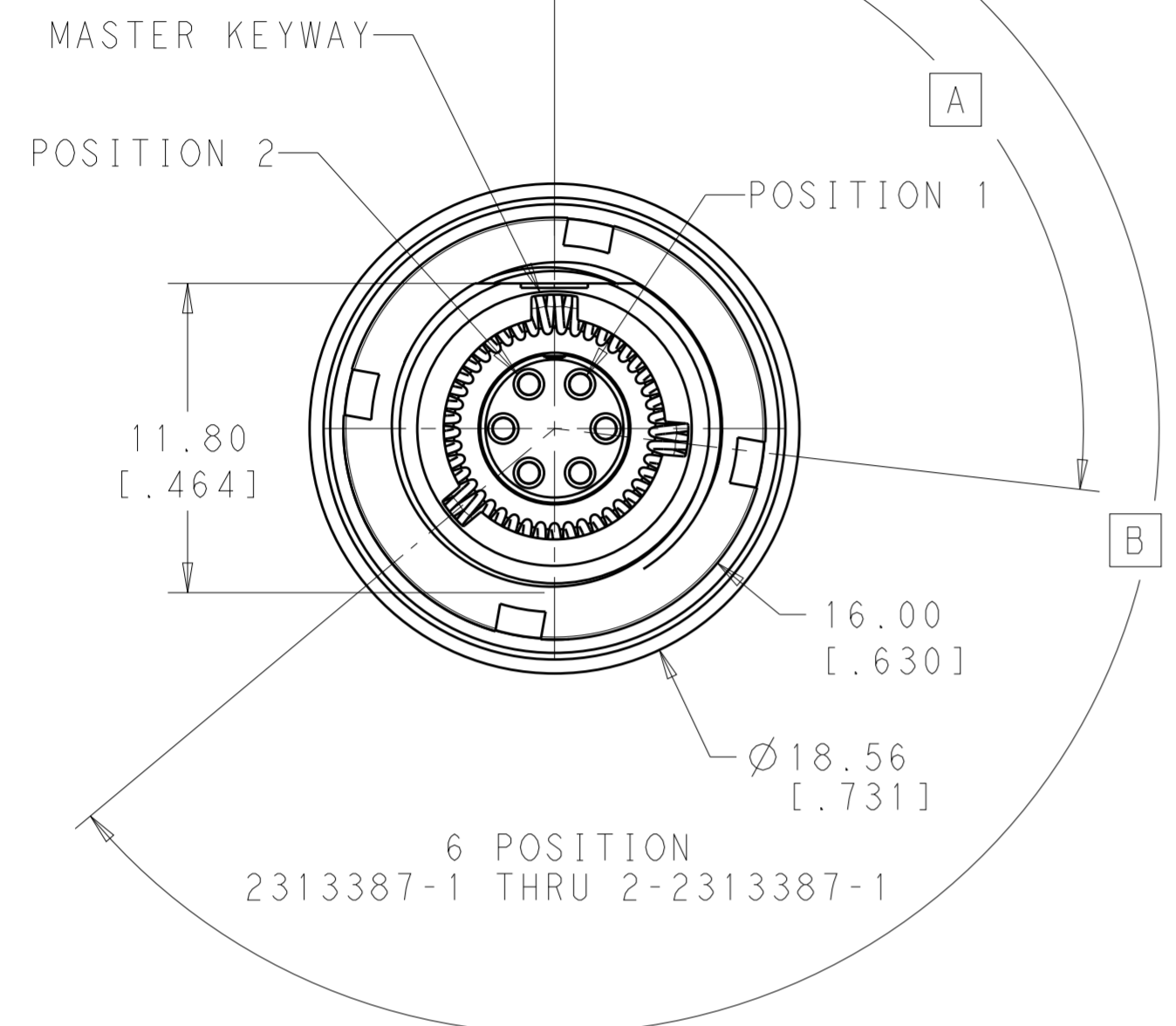
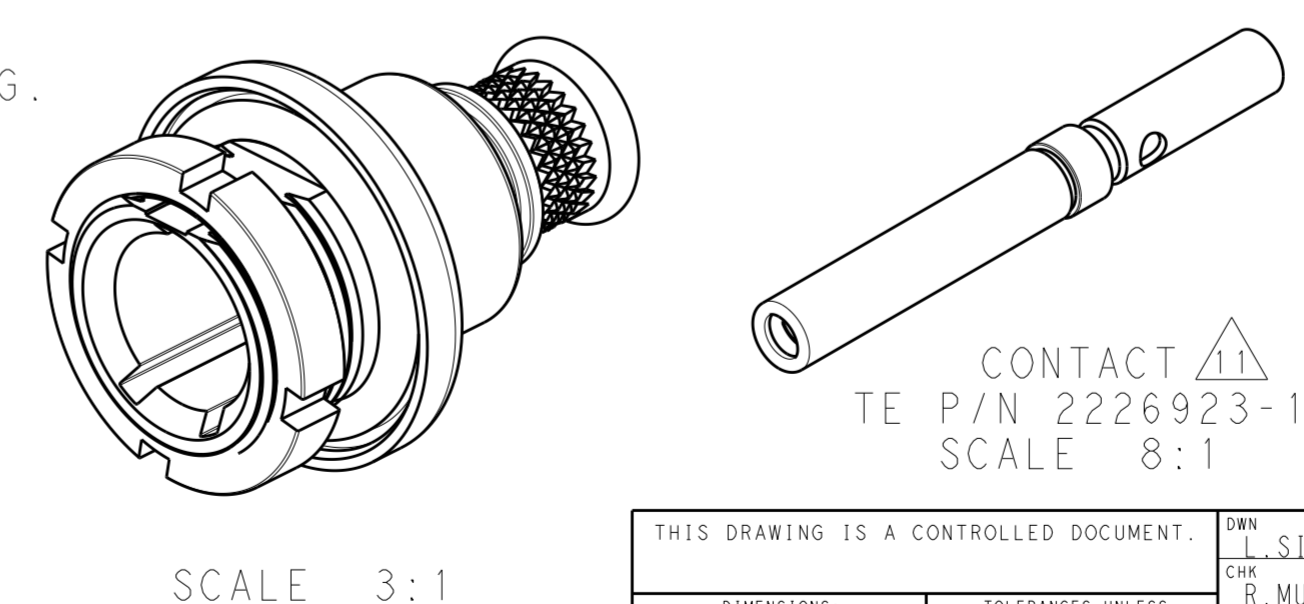


THIS DRAWING IS UNPUBLISHED. RELEASED FOR PUBLICATION 20  
 © COPYRIGHT 20 BY - ALL RIGHTS RESERVED.

REVISIONS				
P	LTR	DESCRIPTION	DATE	APVD
B		REV PER ECO 20-006304	9-26-20	CT DM



- TE MATING CONNECTOR PART NUMBER 2226910 MATCHING KEYING AND NUMBER OF POSITIONS.
- SHELL FINISH: SELECTIVE PLATE 12.7µm MIN ZINC-NICKEL OVER 12.7µm MIN ELECTROLESS NICKEL ALL OVER.
- ROHS COMPLIANT.
- MATERIALS: ALUMINUM ALLOY, THERMOPLASTIC AND FLUORSILICONE .
- CONNECTOR SHALL MEET ENVIRONMENTAL REQUIREMENTS PER MIL-STD-810G.
- ASSEMBLY ACCEPTS SIZE 23 SOCKET CONTACTS.
- CONTACT CURRENT RATING 5 AMPS CRIMPED TO 22AWG WIRES.
- CONNECTOR SHIPPED WITH DUST CAPS.
- CONNECTOR WEIGHT: 4.39 grams (W/O CONTACTS).
- MARKINGS PER MIL-STD-202, METHOD 215.
- CONTACTS ARE KITTED IN SEALED PLASTIC BAG AND SHIPPED UN-ASSEMBLED TO CONNECTOR.
- UNLESS OTHERWISE SPECIFIED, ALL DIMENSIONS ARE FOR REFERENCE ONLY.
- THIS DRAWING HAS UNLIMITED USAGE RIGHTS. SCALE 5



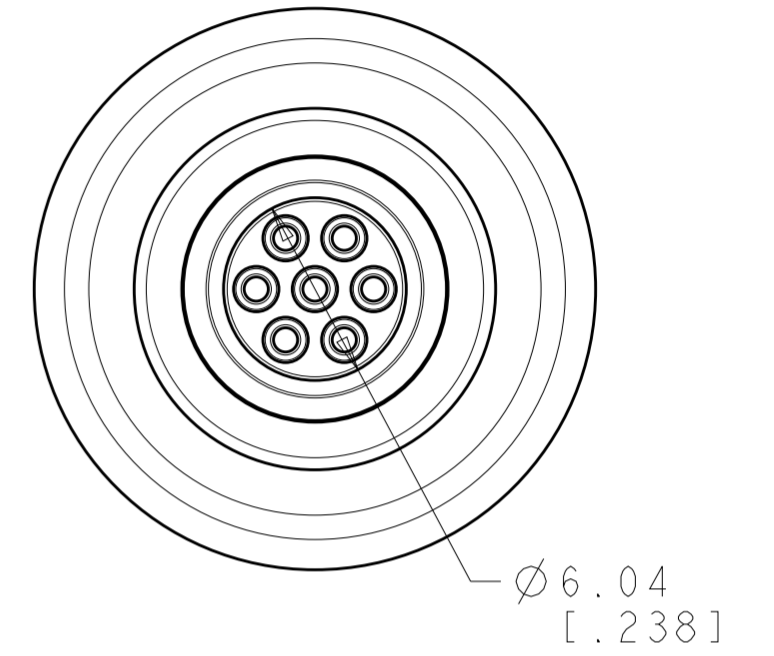
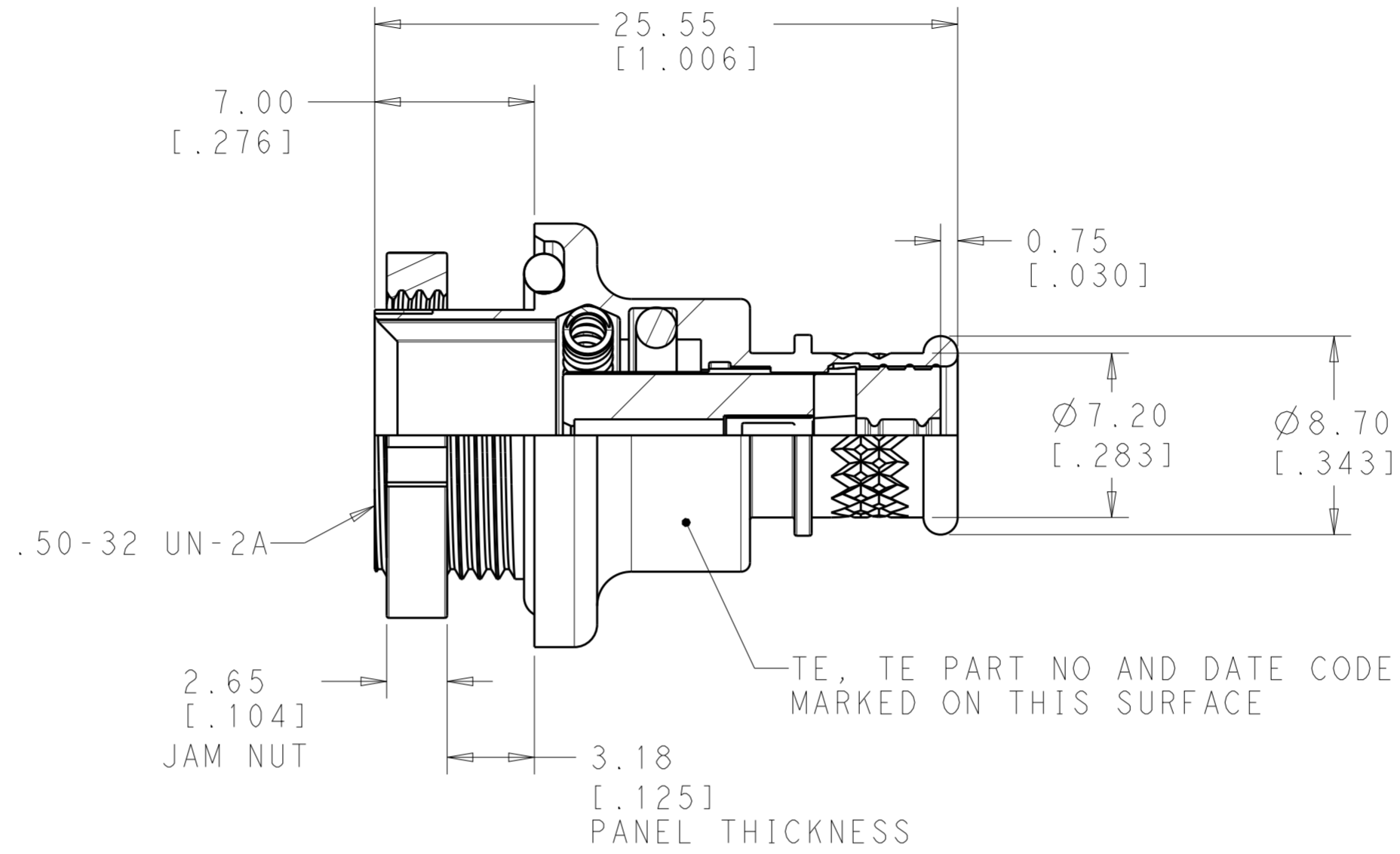
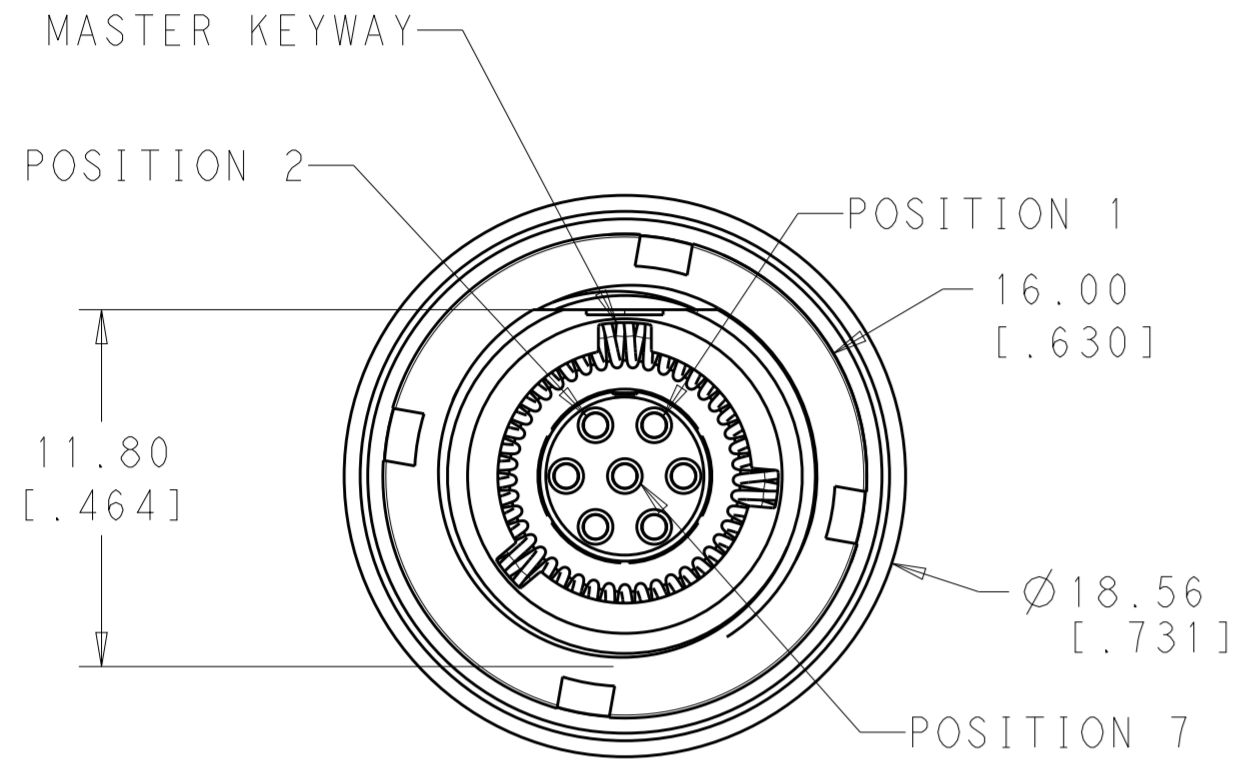
255	155	ME	7	4-2313387-3
205	105	MD	7	4-2313387-1
245	115	MC	7	3-2313387-9
220	140	MB	7	3-2313387-7
195	165	MA	7	3-2313387-5
210	95	F	7	3-2313387-3
275	75	E	7	3-2313387-1
275	140	D	7	2-2313387-9
210	75	B	7	2-2313387-7
210	150	A	7	2-2313387-5
230	95	C	7	2-2313387-3
255	155	ME	6	2-2313387-1
205	105	MD	6	1-2313387-9
245	115	MC	6	1-2313387-7
220	140	MB	6	1-2313387-5
195	165	MA	6	1-2313387-3
210	95	F	6	1-2313387-1
275	75	E	6	2313387-9
275	140	D	6	2313387-7
210	75	B	6	2313387-5
210	150	A	6	2313387-3
230	95	C	6	2313387-1
B	A	KEYING	POSITIONS	PART NO

THIS DRAWING IS A CONTROLLED DOCUMENT.

DIMENSIONS: mm [INCHES]	TOLERANCES UNLESS OTHERWISE SPECIFIED: 0 PLC ± 1 PLC ± 2 PLC ±0.1 3 PLC ±0.05 4 PLC ± ANGLES ± FINISH	DWN L. SIPE 03 JAN 2018 CHK R. MULFINGER 03 JAN 2018 APVD R. MULFINGER 03 JAN 2018	TE Connectivity	
MATERIAL		PRODUCT SPEC	NAME RECEPTACLE CONNECTOR ASSEMBLY PANEL MOUNT NETT WARRIOR	
		APPLICATION SPEC	SIZE A2	CAGE CODE 00779
		WEIGHT	DRAWING NO C-2313387	RESTRICTED TO
		CUSTOMER DRAWING	SCALE 5:1	SHEET 1 OF 2 REV B

THIS DRAWING IS UNPUBLISHED. RELEASED FOR PUBLICATION 20  
 © COPYRIGHT 20 BY - ALL RIGHTS RESERVED.

REVISIONS				
P	LTR	DESCRIPTION	DATE	APVD
-		SEE SHEET 1	-	-



7 POSITION  
 2-2313387-2 THRU 4-2313387-3

SECTION Y-Y

THIS DRAWING IS A CONTROLLED DOCUMENT.		DWN L. SIPE 03 JAN 2018	TE Connectivity	
DIMENSIONS: in		CHK R. MULFINGER 03 JAN 2018		
TOLERANCES UNLESS OTHERWISE SPECIFIED: 0 PLC ± 1 PLC ± 2 PLC ±0.02 3 PLC ±0.005 4 PLC ± ANGLES ± FINISH -		APVD R. MULFINGER 03 JAN 2018	NAME RECEPTACLE CONNECTOR ASSEMBLY PANEL MOUNT NETT WARRIOR	
MATERIAL		PRODUCT SPEC	SIZE	RESTRICTED TO
-		APPLICATION SPEC	A200779	-
-		WEIGHT	C-2313387	-
		CUSTOMER DRAWING	SCALE 5:1	SHEET 2 OF 2
				REV B

# Mouser Electronics

Authorized Distributor

Click to View Pricing, Inventory, Delivery & Lifecycle Information:

[TE Connectivity:](#)

[2226923-1](#)