

CODE 21 - HEAT SHRINK BOOT BACKSHELL

203M916-19B-D

SERIES _____
 SHELL SIZE (TABLE 1) _____
 MATERIAL _____
 REFER TO CH00-0250-004
 FINISH _____
 REFER TO CH00-0250-004
 MODIFICATION CODE _____
 REFER TO CH00-0250-004 (2)

NOTES:

1. THIS PRODUCT IS DESIGNED TO TERMINATE A HEAT SHRINKABLE LIPPED BOOT TO A CONNECTOR.
- (2) FOR ADDITIONAL DIMENSIONS, ORDERING INFORMATION AND MODIFICATIONS, SEE CH00-0250-004.
3. BACKSHELL TO BE PERMANENTLY MARKED/BAGGED AND LABELLED WITH CODE IDENTIFICATION NUMBER AND PART NUMBER. (e.g. 06090-203M912-19B).
4. KNURL INSIDE BOOT GROOVE MAY BE SUPPLIED AT MANUFACTURER'S OPTION.
- (5) BACKSHELL MATES TO MIL-C-26482 SERIES I, CLASS E, F, MS3110, MS3111 AND MS3116 CONNECTORS.
- (6) ANTI-ROTATIONAL SET SCREW, THREE #4-40 THREADED HOLES 120° APART, SINGLE MATING SET SCREW SUPPLIED.

DRAWN	W.RUST	DATE 08/09/2015	 3RD ANGLE PROJECTION NOT TO SCALE UNLESS OTHERWISE SPECIFIED ALL DIMENSIONS IN MILLIMETRES GENERAL TOL LINEAR +/-0.25MM ANGULAR +/- 1°
CHECKED		08/09/2015	
APPROVED	K.SHEPPARD	08/09/2015	
APPROVED	H.SMITH	01/10/2015	

TITLE:		HEAT SHRINK BOOT BACKSHELL	
ASSY USED ON:		MIL-DTL-26482 SERIES I	



REVISIONS			
LTR	DESCRIPTION	DATE	APPROVED
K	REVISED PER ECO-15-013980	01/10/15	H.SMITH
L	REVISED PER ECO-18-008680	06/04/18	O. CANO

TE CONNECTIVITY - POLAMCO LTD RESERVES THE RIGHT TO AMEND THIS DRAWING AND THE INFORMATION SET FORTH HEREON AT ANY TIME. USERS SHOULD INDEPENDENTLY EVALUATE THE SUITABILITY OF THE PRODUCT FOR THEIR APPLICATION.		DRAWING NO: 203M9XX	DRAWING REV: L	SHT 1
--	--	-------------------------------	--------------------------	-----------------

TE CAGE CODE: 06090
 POLAMCO/TE CAGE CODE: U5792

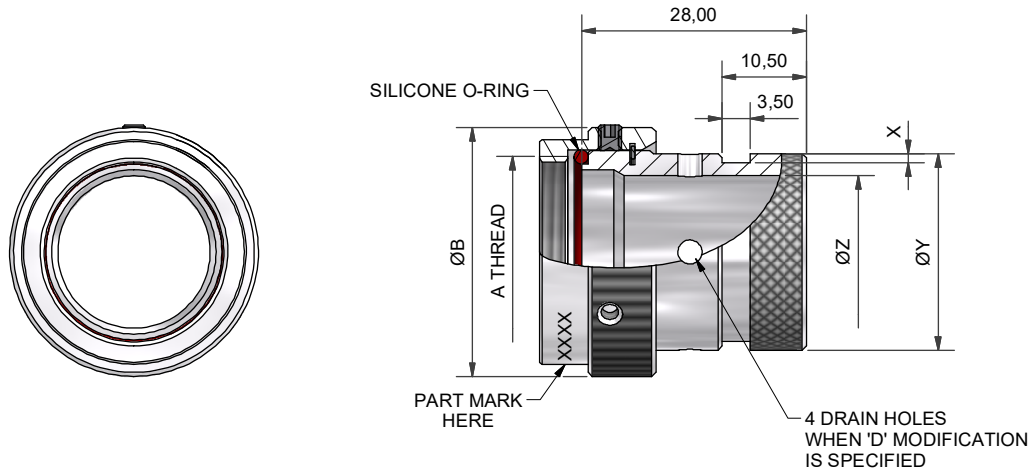
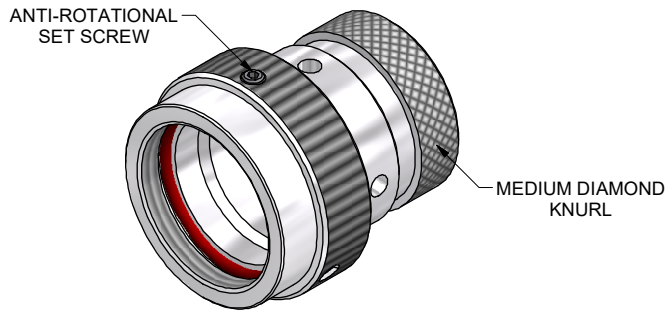


TABLE 1

BASE PART NUMBER	SHELL SIZE (5)	A THREAD	ØB MAX	X +0,20/-0,00	ØZ	ØY MAX
203M908	08	7/16-28UNEF	18,05	1,12	7,15	13,50
203M910	10	9/16-24UNEF	21,55	1,12	9,80	15,50
203M912	12	11/16-24UNEF	24,65	1,12	13,50	19,50
203M914	14	13/16-20UNEF	27,65	1,12	15,90	21,50
203M916	16	15/16-20UNEF	31,05	1,12	19,00	24,50
203M918	18	1 1/16-18UNEF	34,35	1,12	21,40	26,50
203M920	20	1 3/16-18UNEF	37,55	1,75	24,60	31,00
203M922	22	1 5/16-18UNEF	40,55	1,75	27,80	34,50
203M924	24	1 7/16-18UNEF	43,55	1,75	31,00	36,50

DRAWN	W.RUST	DATE	08/09/2015
CHECKED		DATE	08/09/2015
APPROVED	K.SHEPPARD	DATE	08/09/2015
APPROVED	H.SMITH	DATE	01/10/2015

3RD ANGLE PROJECTION NOT TO SCALE

UNLESS OTHERWISE SPECIFIED ALL DIMENSIONS IN MILLIMETRES

GENERAL TOL
LINEAR +/-0,25MM
ANGULAR +/- 1°

REVISIONS			
LTR	DESCRIPTION	DATE	APPROVED
K	REVISED PER ECO-15-013980	01/10/15	H.SMITH
L	REVISED PER ECO-18-008680	06/04/18	O. CANO

TE CAGE CODE: 06090
POLAMCO/TE CAGE CODE: U5792

TITLE:
HEAT SHRINK BOOT BACKSHELL

ASSY USED ON:
MIL-DTL-26482 SERIES I



TE CONNECTIVITY - POLAMCO LTD RESERVES THE RIGHT TO AMEND THIS DRAWING AND THE INFORMATION SET FORTH HEREON AT ANY TIME. USERS SHOULD INDEPENDENTLY EVALUATE THE SUITABILITY OF THE PRODUCT FOR THEIR APPLICATION.	DRAWING NO: 203M9XX	DRAWING REV: L	SHT 2
--	-------------------------------	--------------------------	-----------------

Mouser Electronics

Authorized Distributor

Click to View Pricing, Inventory, Delivery & Lifecycle Information:

[TE Connectivity:](#)

[203M924-19B](#)