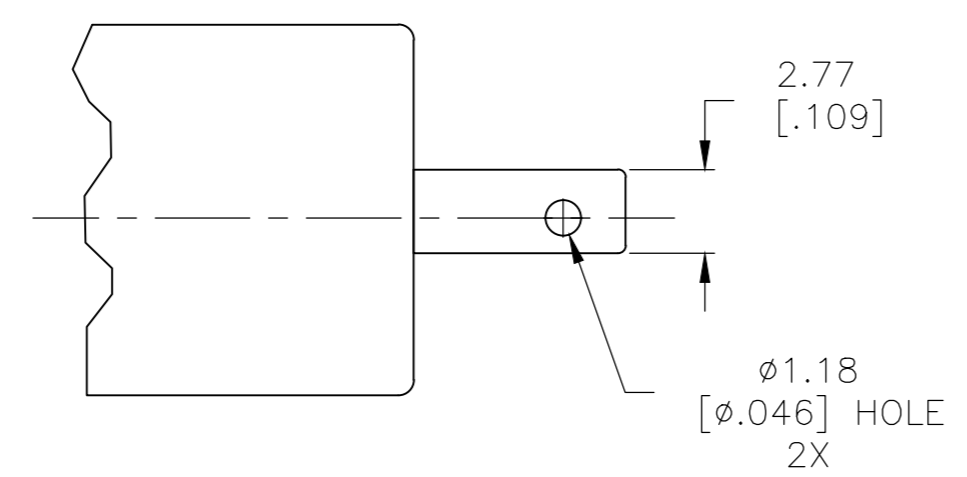
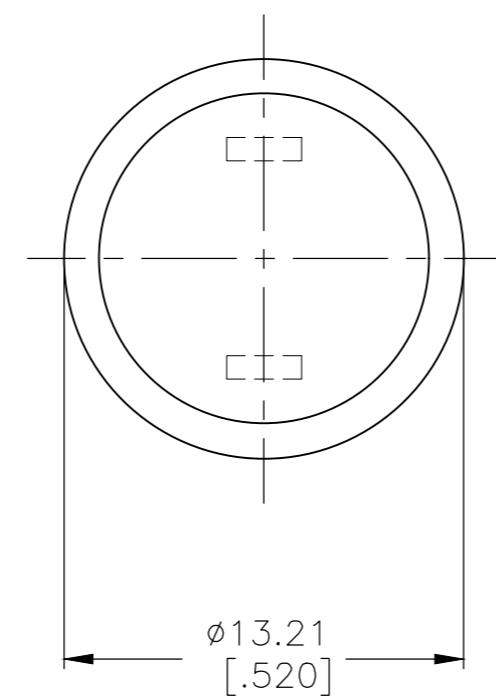
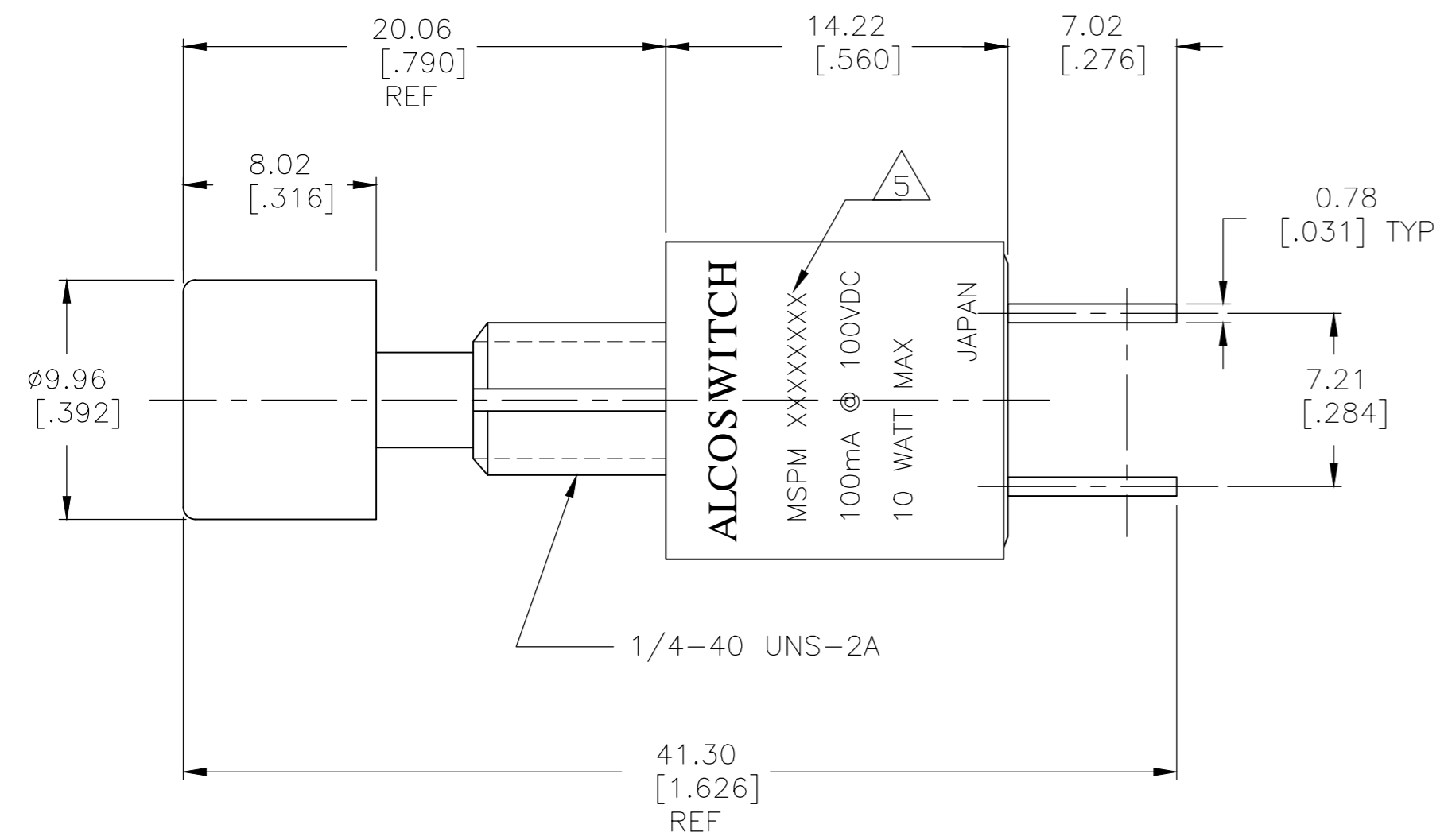
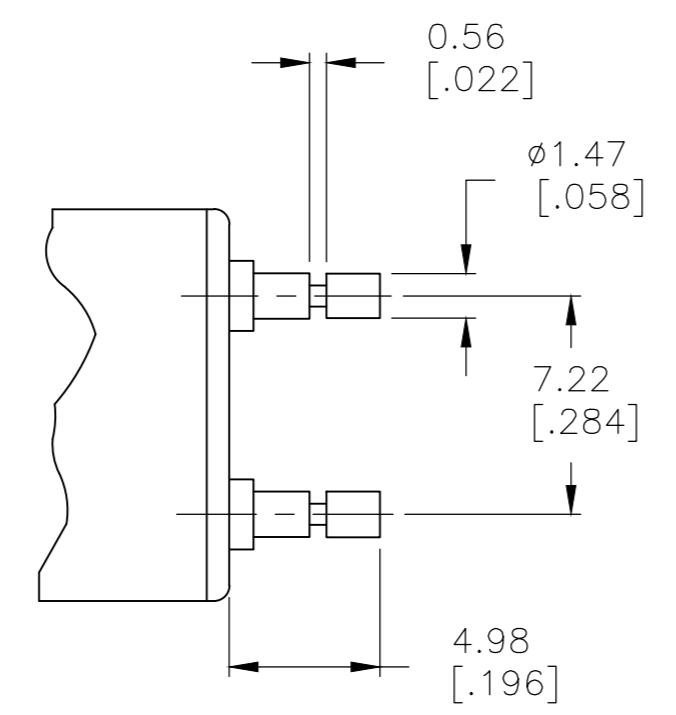


THIS DRAWING IS UNPUBLISHED. RELEASED FOR PUBLICATION  
 © COPYRIGHT - By - ALL RIGHTS RESERVED.

REVISIONS					
P	LTR	DESCRIPTION	DATE	DWN	APVD
A4		REVISED PER ECO-18-016640	21JAN2019	SR	PO



LUG TERMINAL



PIN TERMINAL

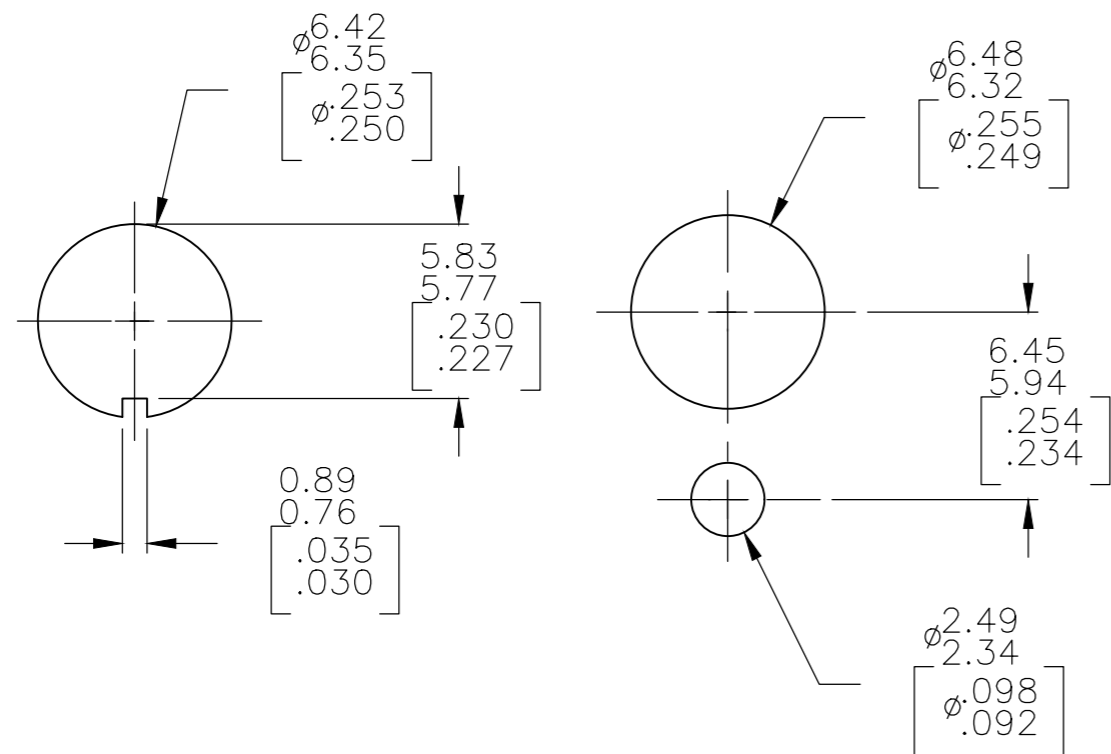
- 1 TERMINAL NUMBERS ARE FOR REFERENCE ONLY AND DO NOT APPEAR ON SWITCHES.
  - 2 EACH SWITCH SUPPLIED WITH THE FOLLOWING MOUNTING HARDWARE:  
 (1) DECORATIVE NUT  
 (1) HEX NUT  
 (1) INTERNAL TOOTH LOCKWASHER  
 (1) LOCATING RING
  - 3 ALL MATERIALS AND FINISHES SHALL COMPLY WITH EU DIRECTIVE 2002/95/EC OF 27JAN2003 (ROHS).
  - 4 LUG TERMINALS ACCEPT STANDARD .110 QUICK CONNECT RECEPTACLES. PIN TERMINALS USEABLE FOR PCB APPLICATIONS.
- △5 MARK FIRST 9 DIGITS PER ALCO P/N COLUMN (E.G.: MSPN101C2)

OBSELETE	PIN	RED	NORMALLY OPEN	1	1	MSPM101C204	1825538-4
	LUG	RED	NORMALLY OPEN	1	1	MSPM101C104	1825538-3
	LUG	BLACK	NORMALLY CLOSED	1	1	MSPM101B104	1825538-2
OBSELETE	PIN	BLACK	NORMALLY CLOSED	1	1	MSPM101B004	1825538-1
	TERMINAL STYLE	CAP COLOR	ACTION	THROWS	POLES	ALCO P/N △5	PART NO.

THIS DRAWING IS A CONTROLLED DOCUMENT.		DWN L.M. 14APR89	TE Connectivity Ltd.	
DIMENSIONS: mm [INCHES]		CHK -	NAME	
TOLERANCES UNLESS OTHERWISE SPECIFIED:		APVD J.SYLVIA 12JUN96	PUSH BUTTON SWITCH, MAGNETIC REED, HERMETICALLY SEALED, SOFT DETENT	
0 PLC ± -		PRODUCT SPEC	SIZE CAGE CODE DRAWING NO RESTRICTED TO	
1 PLC ± -		APPLICATION SPEC	A2 00779 C=1825538	
2 PLC ± -		WEIGHT -	SCALE 4:1 SHEET 1 OF 2 REV A4	
3 PLC ± .010		CUSTOMER DRAWING		
4 PLC ± -				
ANGLES ± 1°				
FINISH -				
MATERIAL SEE SPECIFICATIONS				

THIS DRAWING IS UNPUBLISHED. RELEASED FOR PUBLICATION  
 © COPYRIGHT - By - ALL RIGHTS RESERVED.

REVISIONS				
P	LTR	DESCRIPTION	DATE	APVD
-	-	SEE SHEET 1	-	-



RECOMMENDED HOLE LAYOUT  
TO PREVENT ROTATION

MATERIALS		
COMPONENT NAME	BASE MATERIAL	FINISH
CASE	STEEL	
ACTUATOR BUTTON	POLYAMIDE, SEE CHART FOR COLOR	
MOVING CONTACT	COPPER ALLOY	GOLD OVER NICKEL
FIXED CONTACT	COPPER ALLOY	GOLD OVER NICKEL
TERMINALS	COPPER ALLOY	SILVER OVER NICKEL

SPECIFICATIONS	
RATING	1.0VA OPTIMUM (100mA MAX., 50 VDC MAX.)
INITIAL CONTACT RESISTANCE	100 MILLIOHMS
INSULATION RESISTANCE	1000 MEGOHMS MIN.
DIELECTRIC WITHSTANDING VOLTAGE	1000 VRMS AT SEA LEVEL
DURABILITY	5000000 CYCLES AT .1VA 50000 CYCLES AT 5VA
OPERATING FORCE	TACTILE KEYBOARD FEEL 4 TO 7 OZ. BREAKAWAY REDUCING IMMEDIATELY TO 1.5 OZ. FOLLOW-THROUGH
TRAVEL	2.00±0.20 [.079±.008]
OPERATING TEMPERATURE	-10C TO +80C
STORAGE TEMPERATURE	-10C TO +80C

THIS DRAWING IS A CONTROLLED DOCUMENT.		DWN L.M.	14APR89	<b>STE</b> TE Connectivity Ltd.	
DIMENSIONS: mm [INCHES]		CHK -	-		
TOLERANCES UNLESS OTHERWISE SPECIFIED:		APVD J.SYLVIA	12JUN96	NAME PUSH BUTTON SWITCH, MAGNETIC REED, HERMETICALLY SEALED, SOFT DETENT	
0 PLC ± - 1 PLC ± - 2 PLC ± - 3 PLC ± .010 4 PLC ± - ANGLES ± 1°		PRODUCT SPEC -	APPLICATION SPEC -	SIZE A2	CAGE CODE 00779
MATERIAL SEE SPECIFICATIONS		FINISH -	WEIGHT -	DRAWING NO. C=1825538	RESTRICTED TO -
CUSTOMER DRAWING			SCALE 4:1	SHEET 2 OF 2	REV A4

1825538

# Mouser Electronics

Authorized Distributor

Click to View Pricing, Inventory, Delivery & Lifecycle Information:

[TE Connectivity:](#)

[MSPM101C104](#)