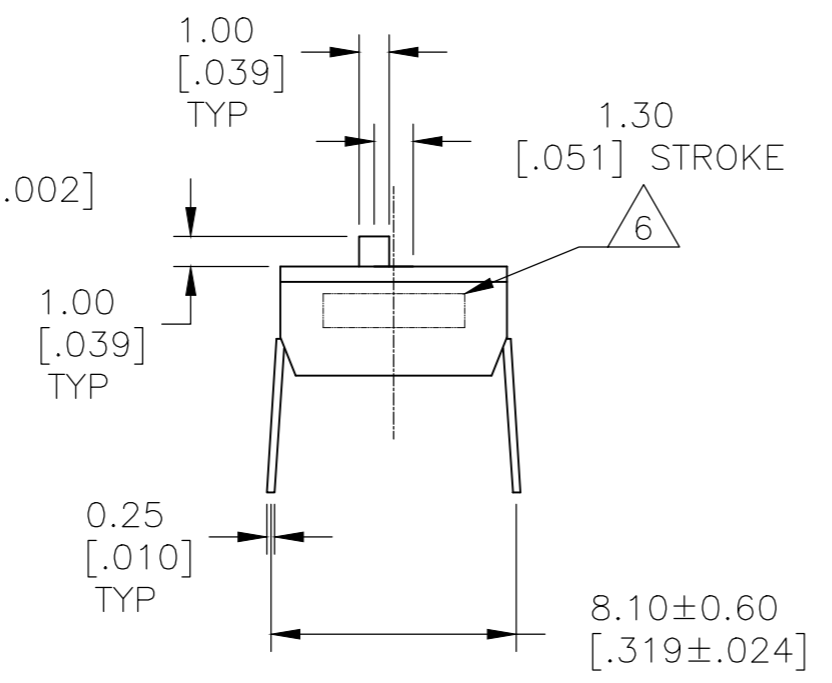
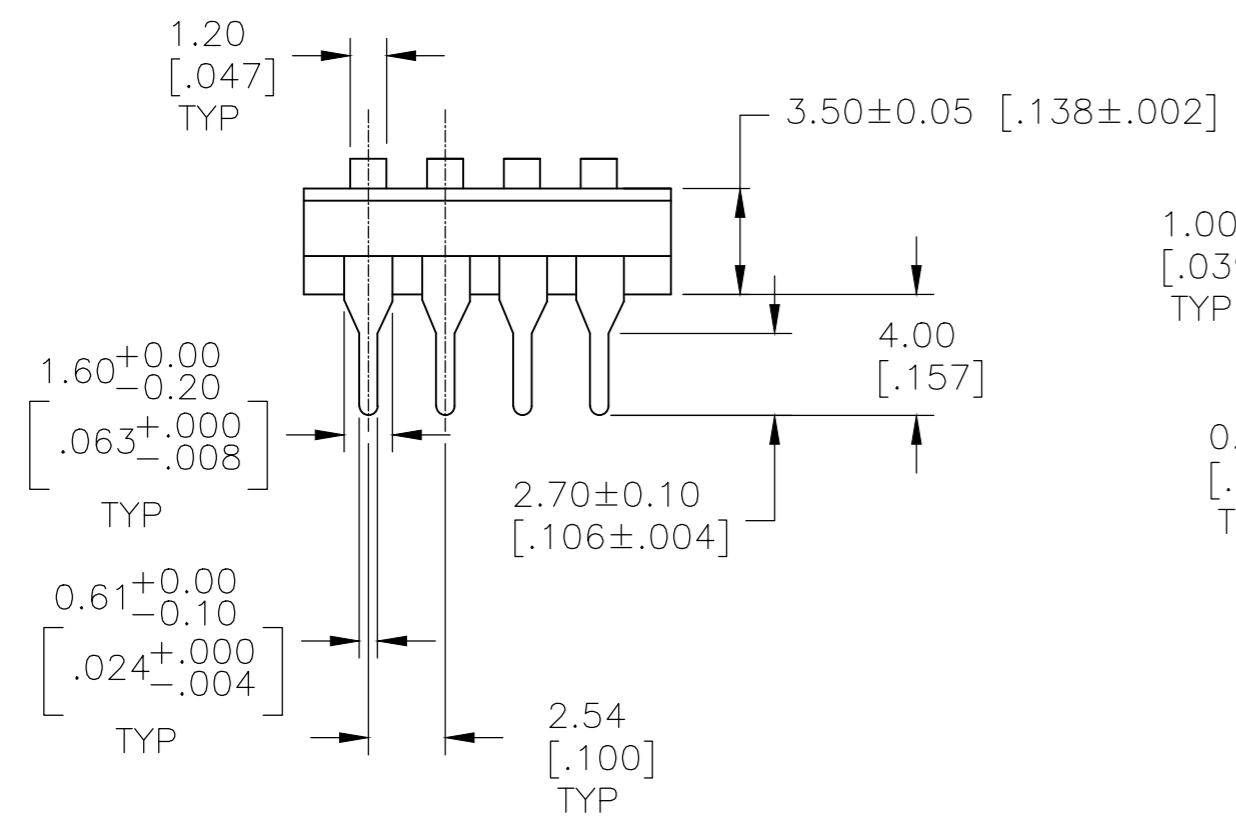
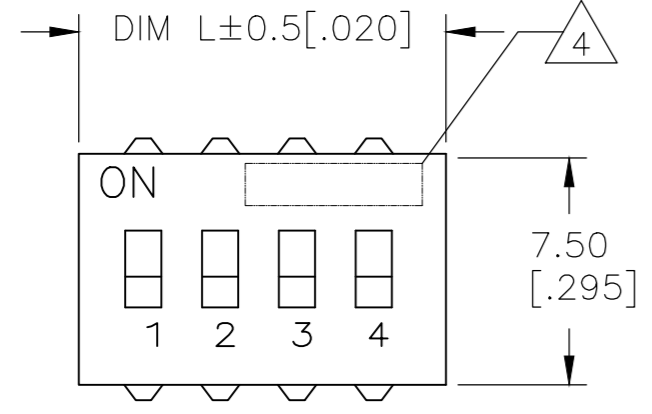


THIS DRAWING IS UNPUBLISHED. RELEASED FOR PUBLICATION
 © COPYRIGHT - By - ALL RIGHTS RESERVED.

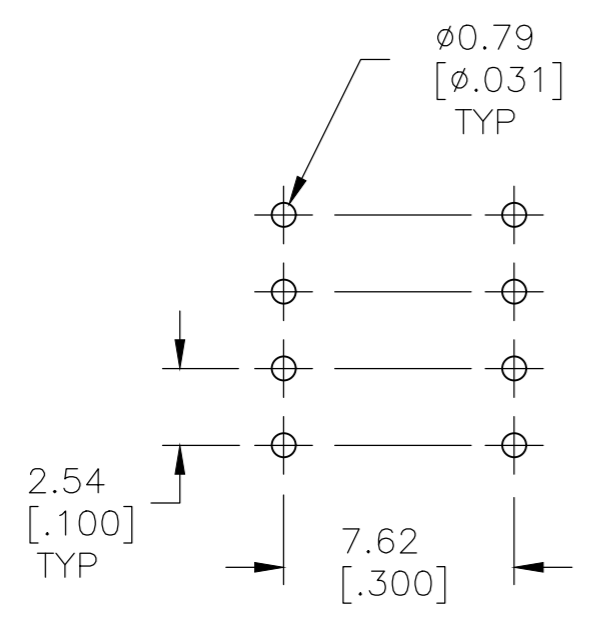
| REVISIONS | | | | |
|-----------|-----|---------------------------|-----------|-------|
| P | LTR | DESCRIPTION | DATE | APVD |
| R2 | | REVISED PER ECO-18-013690 | 24OCT2018 | SR PO |

SPECIFICATIONS:
MATERIAL
 BASE, PPS, UL94V-0, BLACK
 COVER, PPS, UL94V-0, BLACK
 ACTUATOR, PA6T, UL94V-0, WHITE
 FIXED CONTACT/TERMINAL, CU ALLOY-GOLD FLASH OVER NICKEL
 MOVING CONTACT, CU ALLOY, PLATE-GOLD FLASH/NICKEL
ELECTRICAL
 MAX CONTACT RATING SWITCHING, 100MILLIAMP @ 24 VDC
 MIN CONTACT RATING SWITCHING, .1MICROAMP @ 1 MILLIVOLT
 MAX CONTACT NON-SWITCHING, 1AMP @ 5 VDC
 INITIAL CONTACT RESISTANCE, 50 MILLIOHMS MAX.
 CONTACT RESISTANCE (AFTER ENVIRONMENTAL TEST), 100 MILLIOHMS
 CONTACT RESISTANCE (AFTER GAS TEST), 300 MILLIOHMS
 INSULATION RESISTANCE, 1,000 MEGOHMS MIN. @ 100 VDC
 DIELECTRIC STRENGTH, 500 VAC RMS @ SEA LEVEL
 LIFE EXPECTANCY, 1,000 CYCLES
MECHANICAL
 OPERATING FORCE, LESS THAN 800 GRAMS
 CONTACT PRESSURE, 280,000 PSI
ENVIRONMENTAL
 OPERATING TEMPERATURE, -30 TO +85 DEGREES C
 STORAGE TEMPERATURE, -45 TO +105 DEGREES C
 CLEANING, AQUEOUS OR SOLVENT
 SOLDER HEAT RESISTANCE, PER 109-202, COND B, SWITCH "OFF".
 SOLDERABILITY PER JIS C 0050 & JIS 0053

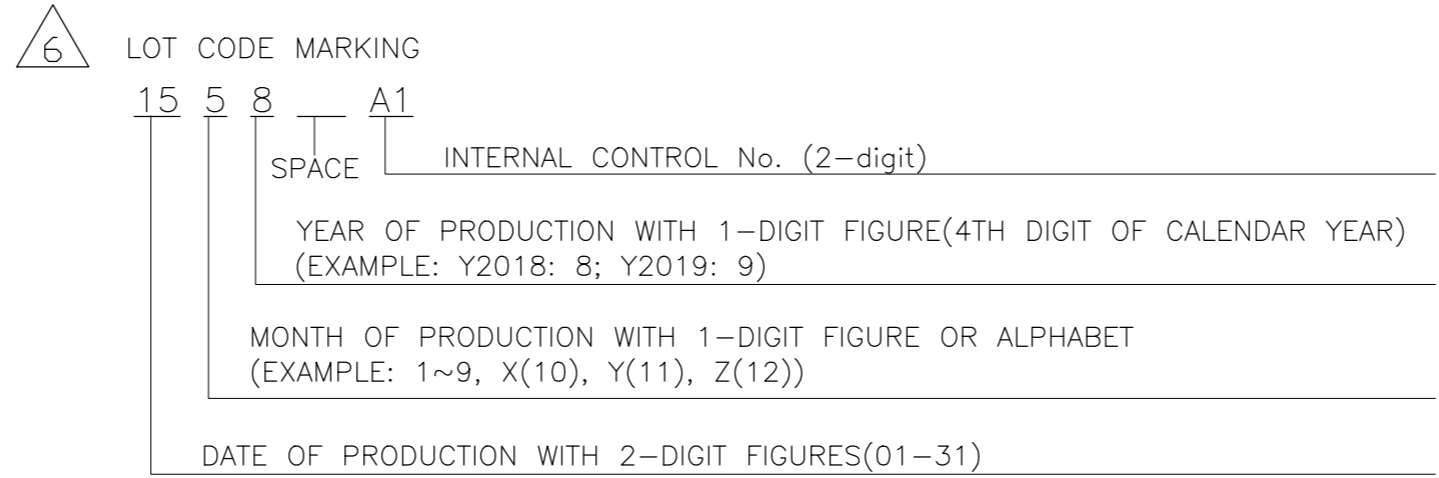


ADE

- 1 SWITCHES TO BE RECEIVED IN THE "OFF" POSITION AND PACKAGED IN CLEAR TUBES TO ACCOMMODATE AUTO-INSERTION.
- 2 TOP SURFACE TO BE CLEARLY MARKED AS SHOWN
- 3 SWITCHES TO BE BLACK WITH WHITE ACTUATORS AND MARKINGS.
- 4 MARK ALCO PLUS FIRST 5 DIGITS PER T&B P/N COLUMN (E.G.: ALCO ADE12), ON 2 AND 3 POSITION SWITCH WITHOUT ALCO
- 5 ALL MATERIALS AND FINISHES SHALL COMPLY WITH EU DIRECTIVE 2002 /95/EC OF 27JAN2003 (ROHS)



P.C. LAYOUT
INSERT MOUNT



| | | | |
|---------|---------------|----------|-------------|
| ADE1204 | 32.51 [1.280] | 12 | 1-1825057-0 |
| ADE1004 | 27.40 [1.078] | 10 | 1825057-9 |
| ADE0904 | 24.84 [.978] | 9 | 1825057-8 |
| ADE0804 | 22.30 [.878] | 8 | 1825057-7 |
| ADE0704 | 19.80 [.778] | 7 | 1825057-6 |
| ADE0604 | 17.22 [.678] | 6 | 1825057-5 |
| ADE0504 | 14.70 [.578] | 5 | 1825057-4 |
| ADE0404 | 12.14 [.478] | 4 | 1825057-3 |
| ADE0304 | 9.60 [.378] | 3 | 1825057-2 |
| ADE0204 | 7.06 [.278] | 2 | 1825057-1 |
| T&B P/N | DIM L | POSITION | PART NO. |

| | | | | |
|--|---|-----------------------|---------------------------|--------------------|
| THIS DRAWING IS A CONTROLLED DOCUMENT. | | DWN B.S.VISWESWARA | TE Connectivity Ltd. | |
| DIMENSIONS: mm [INCHES] | TOLERANCES UNLESS OTHERWISE SPECIFIED: | CHK M.SARVER | NAME | |
| | 0 PLC ± - 1 PLC ± - 2 PLC ± - 3 PLC ± .30 [012] 4 PLC ± - ANGLES ± - | APVD M.SARVER | DIP SWITCH, ADE THRU HOLE | |
| MATERIAL | FINISH | PRODUCT SPEC | SIZE A2 | CAGE CODE 00779 |
| | | APPLICATION SPEC | DRAWING NO C=1825057 | RESTRICTED TO |
| | | WEIGHT | SCALE 4:1 | SHEET 1 of 1 |
| | | CUSTOMER DRAWING | REV R2 | |

Mouser Electronics

Authorized Distributor

Click to View Pricing, Inventory, Delivery & Lifecycle Information:

[TE Connectivity:](#)

[ADE0604](#)